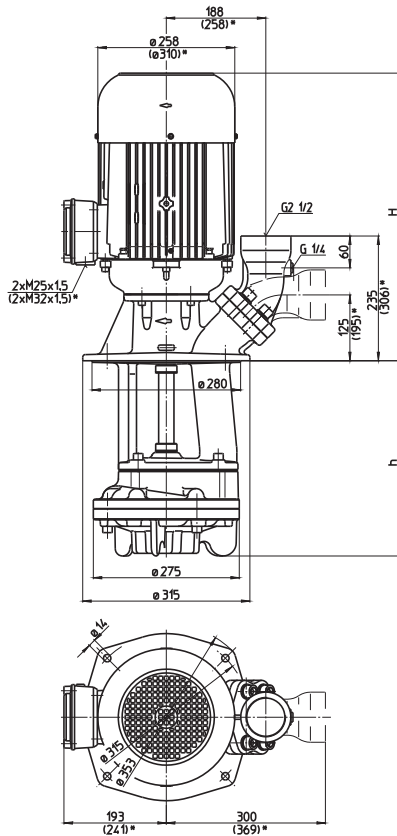


Quick Suctioning Immersion Pumps

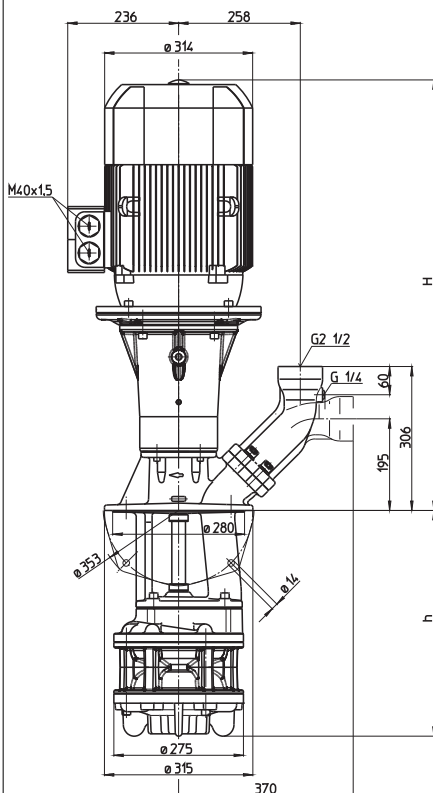
SGL1400...2200

Axial/semi-open impellers

SGL1400...1700



SGL1402...2200



*) Dimensions for SGL1700

Type	Vol. del. at manom. del. head l/min / m	Height H mm	Depth of immersion h mm	Weight kg	Power kW	Voltage 3~ V	Fre- quen- cy Hz	Current A	Speed 1/min
SGL1400/310	1200/15	612	310	134	9.0	380-415	50	16.7	2955
	440		440	136					
	560		560	143					
	810		810	160					
	1060		1060	170					
SGL1700/310	1500/15	620	310	158	13.0	380-415	50	24.2	2960
	440		440	160					
	560		560	167					
	810		810	184					
	1060		1060	190					
SGL1402/420	1200/35	974	420	230	18.5	400	50	32	2955
	550		550	236					
	670		670	240					
	920		920	247					
	1170		1170	251					
SGL1702/420	1500/42	978	420	250	22.0	400	50	37.5	2950
	550		550	256					
	670		670	260					
	920		920	267					
	1170		1170	271					
SGL2200/340	1800/25	974	340	201	18.5	400	50	32	2955
	470		470	206					
	590		590	211					
	840		840	228					
	1090		1090	231					

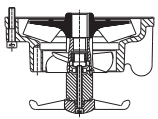
Quick Suctioning Immersion Pumps

series SGL equipped with the patented "BRINKMANN`s Suction De-aeration System" are excellently suited to pumping **extremely air entrained fluids** (grinding oils) as they occur in **high-speed grinding**.

The quick suctioning immersion pumps reach stable working conditions as soon as the liquid level reaches the suction inlet.

The SGL serie offers a **flange** with pressure gauge connection port.

The flange can be rotated for either horizontal or vertical pipe connections.



The pumps SGL1400, SGL1700 and SGL2200 are available (upon request) with an additional agitator at the pump suction for breaking up and separating large bundles of chips or birds nests.

Applications

Types of fluid
 coolants
 cooling/cutting oils
 grinding oils
 Kinematic viscosity
 ...45 mm²/s (45 cSt)
 Pumping temperature
 0...80° C

Construction

Pump body	cast iron
Cover	cast iron
Impeller axial	cast steel
Impeller radial	cast steel
Shaft	steel

