

Technical Data Sheet



A SERIES HYDRAULIC GEAR PUMP

Product Features

High Pressure Gear Pumps

The A series pump is ideal for applications requiring pressure and flow from moderate to high as the design of this pump is maximised for performance in both pressure and flow.

Manufactured from high quality resilient SG iron this product is well suited for applications such as cranes, elevated work platforms, hook-lift loaders, tippers and garbage compactors.

Suits:

Medium duty and high pressure applications.

- **High Pressure up to 345 BAR (5000 PSI)**
For maximum performance of hydraulic systems.
- **Available With Rear & Side Ports**
Allows for options with hydraulic line placement.
- **Robust & Durable**
Designed for maximum performance.
- **Quieter**
Designed to meet more demanding noise pollution requirements.

POWAUTO

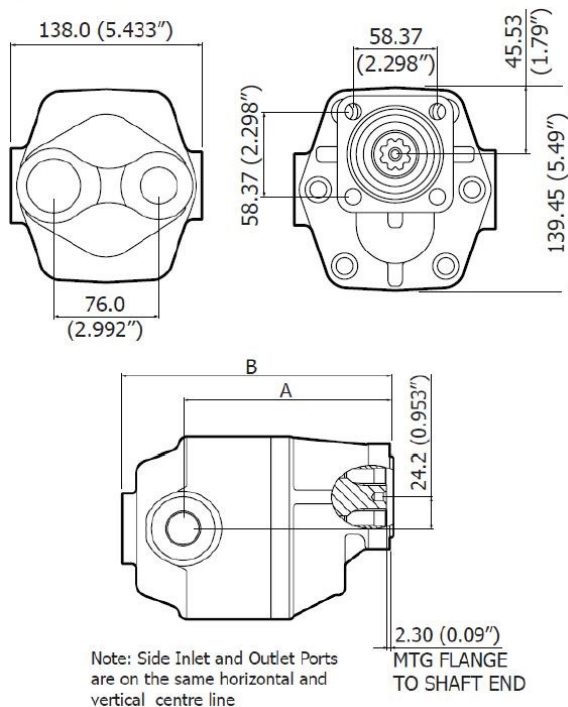
DAVID BROWN
HYDRAULICS

HYDRECO

HYDRECO
POWAUTO
HYDRAULIC SOLUTIONS PROVIDER

www.hydreco.com

Technical Data Sheet



PUMP DESIGNATION CODES

A Series

Identifier
PU = Pump

Pump Series
A

Rotation
O = Opposite To Engine
S = Same As Engine

Flow @ 1000 RPM

25 = 25 L/min
35 = 35 L/min
45 = 45 L/min
55 = 55 L/min
65 = 65 L/min
75 = 75 L/min
90 = 90 L/min
115 = 115 L/min

PU A O 90

Technical Specifications	Pump Size							
Pump Ratings	25	35	45	55	65	75	90	115
Displacement Range								
cm ³ /rev	25.0	35.0	45.0	55.0	65.0	75.0	90.0	115.0
in ³ /rev	1.53	2.14	2.75	3.36	3.97	4.58	5.49	7.02
Pressure Ratings								
Rated Pressure								
bar	310	300	290	280	280	270	250	230
psi	4495	4350	4200	4060	4060	3915	3625	3335
Peak Pressure								
bar	345	335	325	315	315	300	280	260
psi	5000	4870	4710	4570	4570	4350	4060	3770
Operating Speeds								
Min. Operational	450 RPM							
Max. Continuous	2000 RPM							
Max. Intermittant	2500 RPM							
Min. Suction Line (I.D.)	32mm - 1¼"				40mm - 1½"			
Pump Port Sizes Inlet	1¼" BSPP				1¼" BSPP	1½" BSPP		
Outlet	¾" BSPP				1" BSPP	1" BSPP		
Approx. Bare Mass								
kg	12.0	13.0	14.0	14.6	15.2	16.0	17.0	18.3
lb	26.4	28.7	30.8	32.1	33.4	35.3	37.5	40.3
Overall Length 'B' mm	186.2	193.3	200.5	207.6	214.7	221.9	232.6	250.4
Mounting Face to Port Centre 'A' mm	149.2	156.3	151.5	158.6	165.7	149.9	160.6	178.4
Seal Kit	With Wear Plates			SK105	Without Wear Plates		SK105A	

Note: Hydreco recommends the use of filtration in all hydraulic circuits to a minimum of 25µ. Warranty is void if pump seal is removed.

DISTRIBUTOR:

POWAUTO

DAVID BROWN
HYDRAULICS

HYDRECO

HYDRECO
POWAUTO
HYDRAULIC SOLUTIONS PROVIDER

Doc: PUA—02/17

www.hydreco.com