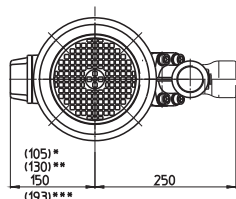
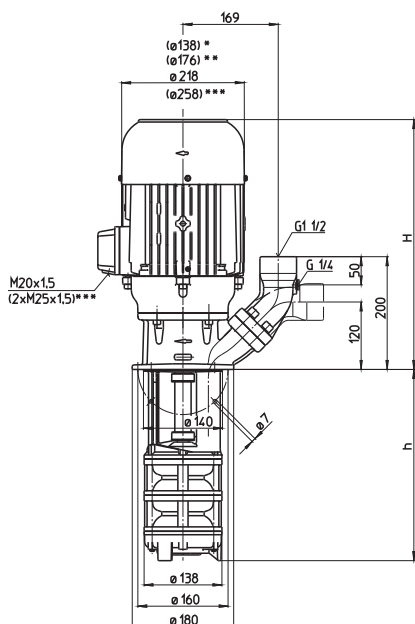


STA601...608

Semi-open impellers

STA601...608



- *) Dimensions for STA601
- **) Dimensions for STA602
- ***) Dimensions for STA607, 608

Type	Vol. del. at manom. del. head l/min /m	Height H mm	Depth of im- mersion h mm	Weight kg	Power kW	Voltage 3~ V	Fre- quen- cy Hz	Current A	Speed 1/min
STA601/130	400/4	361	130	23	1.1	220-240	50	4.33	2850
210			210	24					
280			280	25					
360			360	26	1.27	460	60	2.4	3440
450			450	27					
560			560	29					
760			760	35					
910			910	36					
STA602/200	400/11	439	195	39	2.2	220-240	50	7.8	2890
280			275	40					
350			345	41	2.55	460	60	4.4	3480
430			425	42					
520			515	44					
630			625	46					
830			825	53					
980			975	54					
STA603/260	400/17	478	260	53	3.3	220-240	50	11.6	2930
340			340	54					
410			410	55	3.8	460	60	6.4	3520
490			490	56					
580			580	58					
690			690	59					
890			890	66					
1040			1040	68					
STA604/330	400/23	508	325	62	5.0	220-240	50	17.3	2920
410			405	63					
480			475	65	5.75	460	60	9.5	3520
560			555	66					
650			645	67					
760			755	68					
960			955	75					
1110			1105	77					
STA605/390	400/32	508	390	65	5.5	220-240	50	18.9	2915
470			470	66					
540			540	67	6.3	460	60	10.4	3510
620			620	68					
710			710	70					
820			820	72					
1020			1020	78					
STA607/520	400/45	587	520	102	7.5	380-415	50	14.3	2950
600			600	103					
670			670	104	8.6	460	60	13.7	3550
750			750	106					
840			840	107					
950			950	109					
STA608/580	400/60	587	580	112	9.0	380-415	50	16.7	2955
660			660	113					
730			730	114	10.3	460	60	15.8	3550
810			810	115					
900			900	116					
1010			1010	119					

Immersion Pumps

are plain centrifugal pumps with the impeller fitted on the driving shaft extension. They are mounted on top of the container, the pump extension being immersed in the coolant.

The maximum coolant level must stay a few mm/inches below the mounting flange.

The STA serie offers a **(SAE) flange** with pressure gauge connection port.

The flange can be rotated for either horizontal or vertical pipe connections.



All types are also available as quick-suctioning immersion pumps equipped with "BRINKMANN's Suction De-aeration System". See series SAL.



All types are also available as suction immersion pump with a connection to the vacuum filters on the suction side. See series STS.

Applications

Types of fluid
coolants
cooling/cutting oils
Kinematic viscosity
...45 mm²/s (45 cSt)
Pumping temperature
0...80° C
higher temperatures upon request

Construction

Pump body	cast iron
Cover	cast iron
Impellers	brass
Shaft	steel
Optional:	
Suction cover	with threaded inlet
Impellers	cast steel

Noise level

STA601	62 dBA
STA602	66 dBA
STA603...STA605	71 dBA
STA607...STA608	74 dBA

