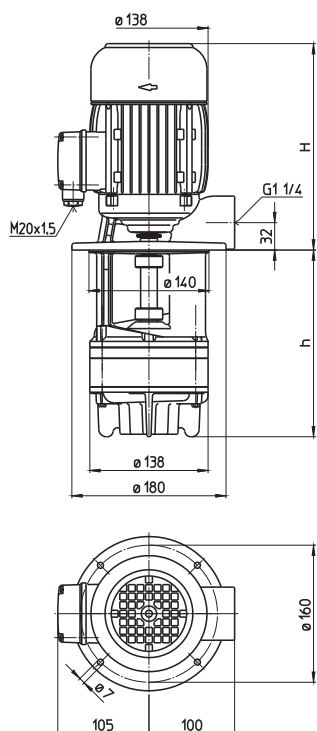


Quick Suctioning Immersion Pumps

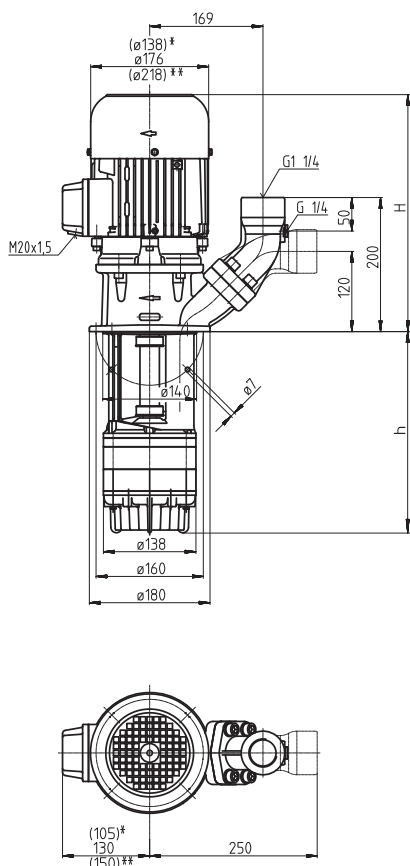
TL/STL141...146

Axial/semi-open impellers

TL141, 142



STL141...146



*) Dimensions for STL141, 142

**) Dimensions for STL146

Type	Vol. del. at manom. del. head l/min /m	Height H mm	Depth of im- mersion h mm	Weight kg	Power kW	Voltage 3~ V	Fre- quen- cy Hz	Current A	Speed 1/min
TL141/150	100/10	223	150	14.0	0.55	220-240	50	2.50	2750
230			230	14.5					
300			300	16.0					
380			380	16.5					
470			470	18.0					
580			580	19.0					
TL142/180	100/20	291	180	19.0	1.1	220-240	50	4.33	2850
260			260	19.5					
330			330	21.0					
410			410	22.0					
500			500	24.0					
610			610	25.0					
STL141/150	100/10	293	150	21.0	0.54	220-240	50	2.42	2800
230			230	21.5					
300			300	22.5					
380			380	23.0					
470			470	24.5					
580			580	26.0					
STL142/180	100/20	361	180	25	1.1	220-240	50	4.33	2850
260			260	26					
330			330	27					
410			410	29					
500			500	30					
610			610	32					
STL143/220	100/30	406	215	36	1.7	220-240	50	6.24	2890
300			295	37					
370			365	38					
450			445	39					
540			535	40					
650			645	41					
STL144/250	100/40	439	250	41	2.2	220-240	50	7.8	2890
330			330	42					
400			400	43					
480			480	44					
570			570	46					
680			680	47					
STL145/300	100/50	439	300	46	2.6	220-240	50	9.30	2880
380			380	47					
450			450	48					
530			530	49					
620			620	50					
730			730	52					
STL146/330	100/62	478	335	57	3.3	220-240	50	11.6	2930
410			415	58					
480			485	60					
560			565	61					
					3.8	460	60	6.4	3520

Quick Suctioning Immersion Pumps

equipped with the patented "BRINKMANN" s Suction De-aeration System" are excellently suited to pumping **extremely air entrained fluids** (emulsions resp. cooling/cutting oils) as they occur in heavy cutting when turning, milling or grinding.

The quick suctioning immersion pumps reach stable working conditions as soon as the liquid level reaches the suction inlet.

The STL serie offers a (SAE) flange with pressure gauge connection port.

The flange can be rotated for either horizontal or vertical pipe connections.

Applications

Types of fluid
coolants
cooling/cutting oils
Kinematic viscosity
...45 mm²/s (45 cSt)
Pumping temperature
0...80° C

Construction

Pump body	cast iron
Cover	cast iron
Impeller axial	cast steel
Impeller radial	brass
Shaft	steel
Optional: Impeller radial	cast steel

