

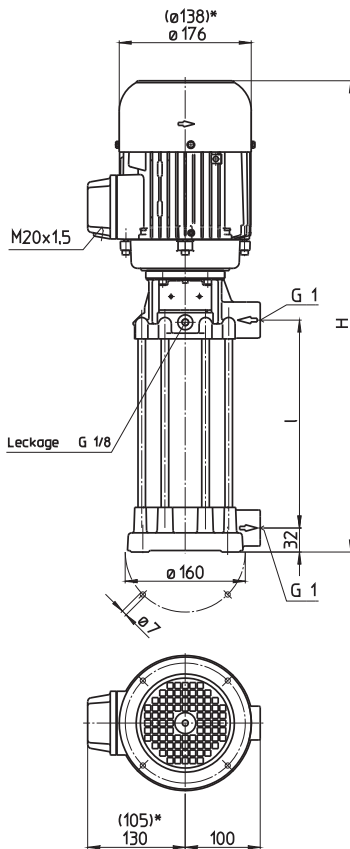
# Pressure Boosting Pumps

## FH2

### Closed impellers

60 Hz

#### FH203...230



\*) Dimensions for FH203...FH215

Type	Vol. del. at manom. del. head l/min /m	Height H mm	Length l mm	Weight kg	Power kW	Voltage 3~ V	Frequency Hz	Current A	Speed 1/min
FH203B19	20/25	488	197	16.9	0.45	460	60	1.1	3200
FH204B19	20/30			17.0					
FH205B19	20/40	488	197	17.4	0.54	460	60	1.4	3300
FH206B29	20/50	588	297	17.9					
FH207B29	20/57	629	297	22.0	0.86	460	60	1.85	3440
FH208B29	20/64			22.1					
FH209B29	20/74			22.2					
FH210B29	20/81	629	297	23.3	0.98	460	60	2	3450
FH211B39	20/90	729	397	24.0	1.06	460	60	2.1	3440
FH212B39	20/98			24.1					
FH213B39	20/106			24.2					
FH214B39	20/113	756	397	25.4	1.27	460	60	2.4	3440
FH215B39	20/119			25.5					
FH216B49	20/127	878	497	31	1.49	460	60	2.7	3500
FH217B49	20/136	878	497	33.2	1.75	460	60	3.1	3470
FH218B49	20/146			33.3					
FH219B49	20/156			33.4					
FH220B49	20/164	904	497	35.5	1.95	460	60	3.5	3480
FH221B59	20/172	1004	597	36.5					
FH222B59	20/182	1036	597	40.4	2.18	460	60	3.9	3500
FH223B59	20/191			40.5					
FH224B59	20/200	1036	597	41.2	2.55	460	60	4.4	3480
FH225B59	20/208			41.4					
FH226B69	20/216	1136	697	42.0					
FH227B69	20/224			42.1					
FH228B69	20/231	1136	697	43.1	2.94	460	60	5.1	3480
FH229B69	20/238			43.3					
FH230B69	20/245			43.5					

**Pressure Boosting Pumps**

Series TH and FH use **closed impellers** in order to minimize power consumption and to optimize hydraulic pump efficiencies.

In addition, the TH series offers high pressures at short immersion depths. Inline pumps of the series FH can be used as **boosting pumps** if provided with positive inlet pressure. This inlet pressure can be provided by the central coolant supply or a feed pump. In such a setup, pumps of the series FH can raise the incoming pressure by up to 26 bar.

A **frequency converter** can be supplied for **special applications** or for matching the pump characteristic to a specific duty point.

See page "Control/Regulation" in the Technical Information section of this catalog for further information.



**Applications**

- Types of fluid
  - Industry water
  - coolants
  - cooling/cutting oils
- Kinematic viscosity
  - 1 mm<sup>2</sup>/s (1 cSt)
  - higher viscosity upon request
- Pumping temperature
  - 0...80° C

**Construction**

Pump body	cast iron
Cover	cast iron
Impellers	CrNi-steel
Shaft	CrNi-steel
Diffusers	CrNi-steel
Mechanical seal	SiC
O-rings	Viton
Optional:	
Pump body	bronze
Cover	bronze
Noise level	
FH203...FH215	61 dBA
FH216...FH230	66 dBA

