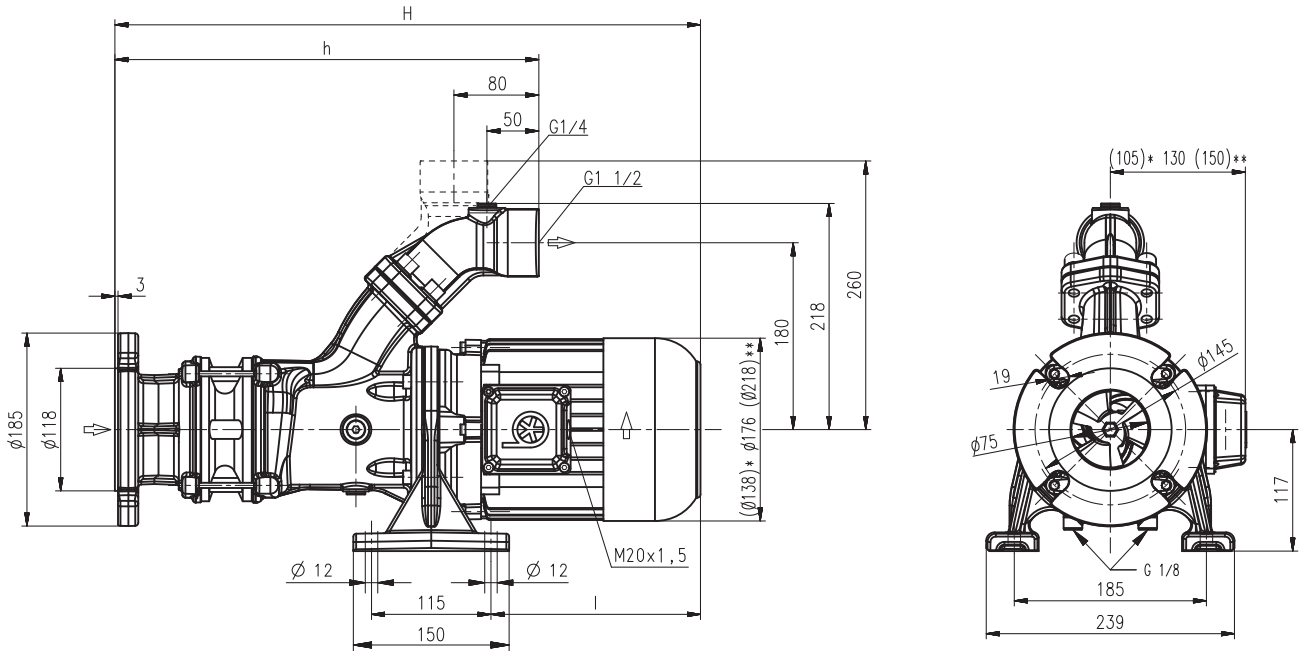


Horizontal End-Suction Pumps SBG501...503

Axial/semi-open impellers

SBG501...503



*) Dimensions for SBG501
**) Dimensions for SBG503

Type	Vol. del. at manom. del. head l/min / m	Dimensions		Length l mm	Weight kg	Power kW	Voltage 3 ~ V	Fre- quen- cy Hz	Current A	Speed 1/min
		H mm	h mm							
SBG501	250/6	524	360	211	31	1.1	220-240 380-415	50 50	4.33 2.50	2850 2850
SBG502	250/15	666	424	289	46	1.27	460	60	2.4	3440
SBG503	250/22	769	488	328	60	2.2	220-240 380-415	50 50	7.8 4.5	2890 2890
						2.55	460	60	4.4	3480
						3.3	220-240 380-415	50 50	11.6 6.7	2930 2930
						3.8	460	60	6.4	3520

Horizontal End-Suction Pumps

are centrifugal inline pumps with a compact design where the impeller is mounted onto the extended motor shaft. These pumps are not self-priming and must be gravity fed. All pumps are equipped with a single mechanical seal. Upon request a second mechanical seal is available to allow for dry-running (-GD). This pump series is designed for horizontal installations next to a tank and for pumping **highly air entrained coolant and cutting oils**, as they occur in **high speed grinding applications**. The SBG pumps are equipped with the user-friendly **SAE flange** connection which allows for either vertical or horizontal pipe connection and the connection of a pressure gauge with G 1/4. For more information see mechanical features within the technical information section.

Applications

Types of fluid
 coolants
 cooling/cutting oils
 grinding oils
 Kinematic viscosity
 ...45 mm²/s (45 cSt)
 Pumping temperature
 0...80° C

Construction

Pump body	cast iron
Cover	cast iron
Impeller axial	cast steel
Impeller radial	cast steel
Shaft	steel
Mechanical seal	SiC
Noise level	
SBG501	67 dBA
SBG502	70 dBA
SBG503	72 dBA

