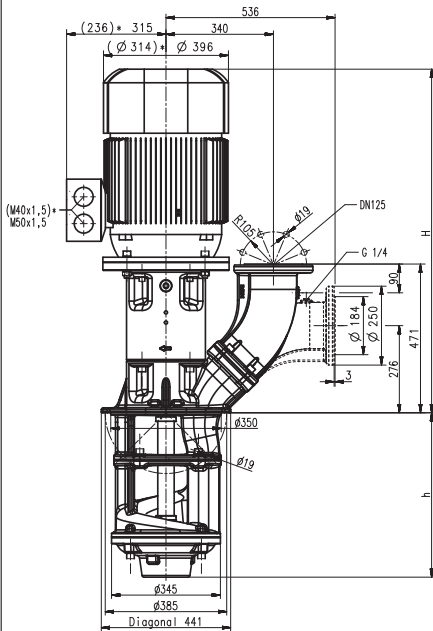


Immersion Pumps STA3600...4500

Semi-open impellers

STA3600, 4500



*) Dimensions for STA3600

Type	Vol. del. at manom. del. head l/min /m	Height H mm	Depth of im- mersion h mm	Weight kg	Power kW	Voltage 3~ V	Fre- quen- cy Hz	Current A	Speed 1/min
STA3600/520	3500/20	1041	521	331	22.0	400	50	37.5	2950
720			721	346					
920			921	361	25.3	460	60	37.5	3550
1270			1271	426					
STA4500/520	4500/30	1115	521	428	37.0	400	50	65	2955
720			721	443					
920			921	458	41.5	460	60	63	3555
1270			1271	523					

Immersion Pumps

are plain centrifugal pumps with the impeller fitted on the driving shaft extension. They are mounted on top of the container, the pump extension being immersed in the coolant.

The maximum coolant level must stay a few mm/inches below the mounting flange.

The STA serie offers a **flange** with pressure gauge connection port.

The flange can be rotated for either horizontal or vertical pipe connections.

Applications

Types of fluid
coolants
cooling/cutting oils
Kinematic viscosity
...45 mm²/s (45 cSt)
Pumping temperature
0...80° C

Construction

Pump body	cast iron
Cover	cast iron
Impeller	cast steel
Shaft	steel
Other materials	on request

Noise level	
STA3600	82 dBA
STA4500	84 dBA

