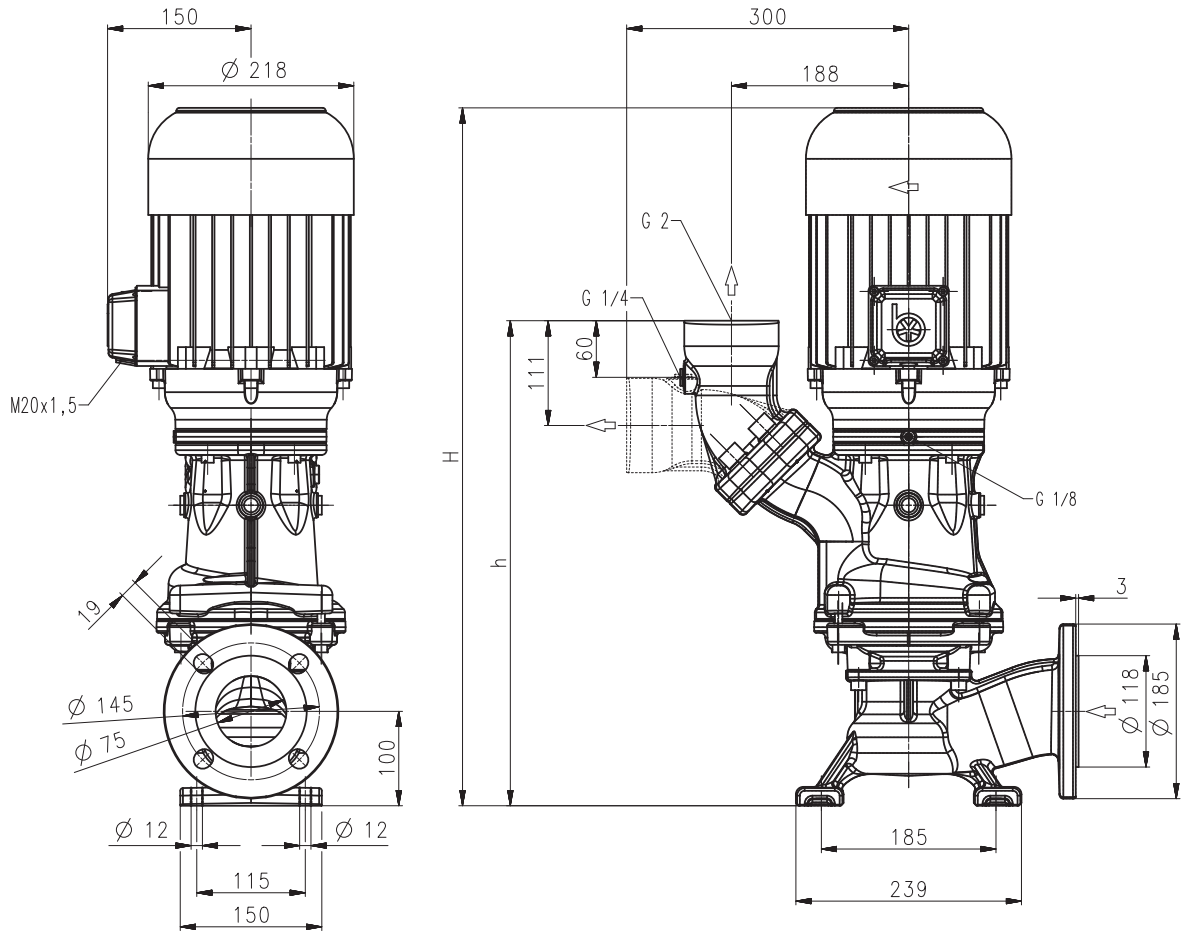


Vertical End Suction Pumps

SBG801...1101-V

Axial/semi-open impellers

SBG801...1101-V



Type	Vol. del. at manom. del. head l/min / m	Dimensions		Weight kg	Power kW	Voltage 3 ~ V	Fre- quen- cy Hz	Current A	Speed 1/min
		H mm	h mm						
SBG801-V	600/12	769	507	70	3.3	220-240 380-415	50 50	11.6 6.7	2930 2930
					3.8	460	60	6.4	3520
SBG1101-V	800/11.5	792	514	77	5.0	220-240 380-415	50 50	17.3 10.0	2920 2920
					5.75	460	60	9.5	3520

Vertical End Suction Pumps

are centrifugal inline pumps with a compact design where the impeller is mounted onto the extended motor shaft. These pumps are not self-priming and must be gravity fed. All pumps are equipped with double mechanical seal. This pump series is designed for vertical installations next to a tank and for pumping **highly air entrained coolant and cutting oils**, as they occur in **high speed grinding applications**.

The SBG pumps are equipped with the user-friendly 45 degree **flange** connection which allows for either vertical or horizontal pipe connection and the connection of a pressure gauge with G 1/4.

For more information see mechanical features within the technical information section.

All types specified are also available as multistage pumps e.g. SBG802-V, SBG1103-V.

Applications

Types of fluid
 coolants
 cooling/cutting oils
 grinding oils
 Kinematic viscosity
 ...45 mm²/s (45 cSt)
 Pumping temperature
 0...80° C

Construction

Pump body	cast iron
Cover	cast iron
Impeller axial	cast steel
Impeller radial	cast steel
Shaft	steel
Mechanical seal	SiC
Noise level	
SBG801-V...SBG1101-V	72 dBA

