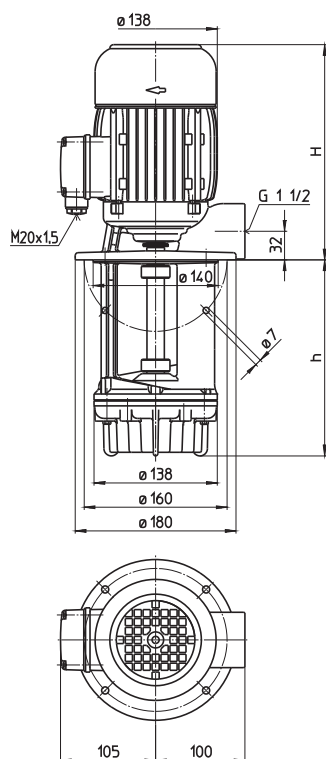


# Quick Suctioning Immersion Pumps

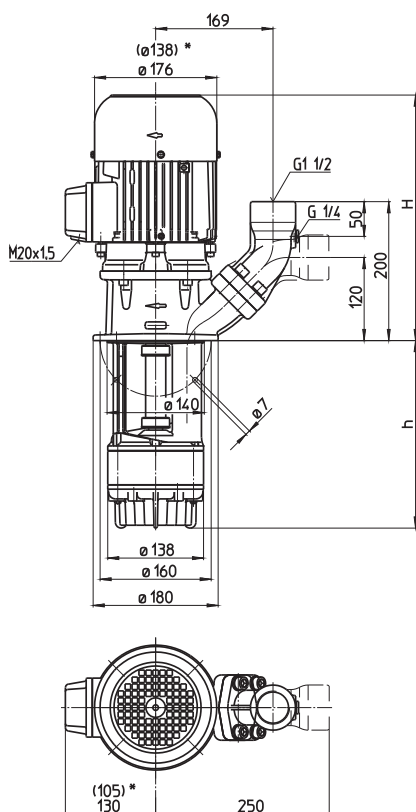
## TGL/SGL331...333

Axial/semi-open impellers

### TGL331



### SGL331...333



\*) Dimensions for SGL331

Type	Vol. del. at manom. del. head l/min /m	Height H mm	Depth of immersion h mm	Weight kg	Power kW	Voltage 3~ V	Fre- quen- cy Hz	Current A	Speed 1/min	
<b>TGL331/140</b>	200/5	264	140	16.0	0.85	220-240	50	3.64	2850	
<b>220</b>			220	17.0						
<b>290</b>			290	17.5	0.98	460	60	2	3450	
<b>370</b>			370	18.5						
<b>460</b>			460	20.0						
<b>570</b>			570	21.0						
<b>SGL331/140</b>	200/5	334	140	22						0.85
<b>220</b>			220	23						
<b>290</b>			290	24	0.98	460	60	2	3450	
<b>370</b>			370	25						
<b>460</b>			460	27						
<b>570</b>			570	28						
<b>770</b>			770	35						
<b>920</b>			920	37	1.7	220-240	50	6.24	2890	
<b>SGL332/190</b>	200/12	406	190	34						
<b>270</b>			270	35						
<b>340</b>			340	36						
<b>420</b>			420	37		1.95	460	60	3.5	3480
<b>510</b>			510	38						
<b>620</b>			620	40						
<b>820</b>			820	47						
<b>970</b>			970	49						
<b>SGL333/240</b>	200/19	439	240	40	2.2	220-240	50	7.8	2890	
<b>320</b>			320	41						
<b>390</b>			390	42	2.55	460	60	4.4	3480	
<b>470</b>			470	43						
<b>560</b>			560	45						
<b>670</b>			670	47						
<b>870</b>			870	53						
<b>1020</b>			1020	55						

### Quick Suctioning Immersion Pumps

series TGL/SGL equipped with the patented "BRINKMANN's Suction De-aeration System" are excellently suited to pumping **extremely air entrained fluids** (grinding oils) as they occur in **high-speed grinding**.

The quick suctioning immersion pumps reach stable working conditions as soon as the liquid level reaches the suction inlet.

The SGL serie offers a (SAE) flange with pressure gauge connection port. The flange can be rotated for either horizontal or vertical pipe connections.

### Applications

Types of fluid  
 coolants  
 cooling/cutting oils  
 grinding oils  
 Kinematic viscosity  
 ...45 mm<sup>2</sup>/s (45 cSt)  
 Pumping temperature  
 0...80° C

### Construction

Pump body	cast iron
Cover	cast iron
Impeller axial	cast steel
Impeller radial	cast steel
Shaft	steel

