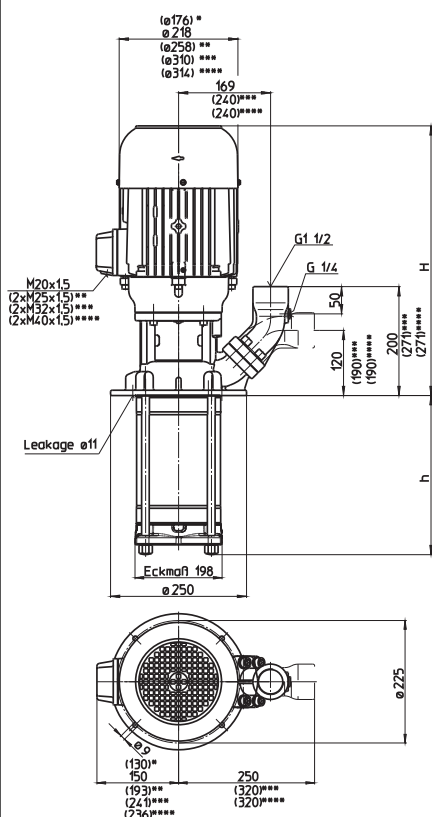


(S)TH14

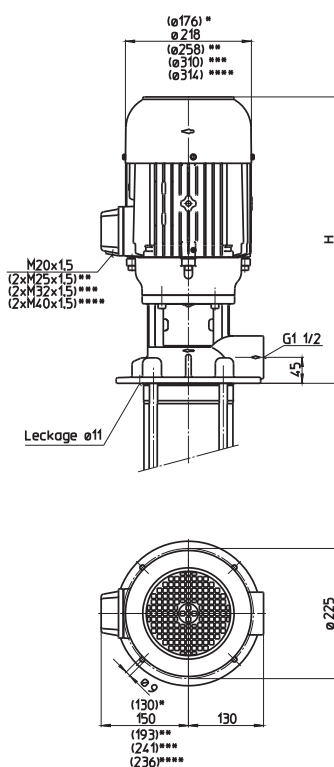
Closed impellers

60 Hz

STH1402...1412



TH1402...1412



- *) Dimensions for (S)TH1402
- **) Dimensions for (S)TH1405...1407
- ***) Dimensions for (S)TH1408...1410
- ****) Dimensions for (S)TH1411...1412

Type	Vol. del. at manom. del. head l/min / m	Height H mm	Depth of immersion h mm	Weight kg	Power kW	Voltage 3~ V	Fre- quen- cy Hz	Current A	Speed 1/min
(S)TH1402B180	250/38	492	182	47	2.94	460	60	5.1	3480
(S)TH1403B280	250/58	531	278	58	4.55	460	60	7.9	3520
(S)TH1404B280	250/77	561	278	65	6.3	460	60	10.4	3510
(S)TH1405B380	250/96	640	374	94	8.6	460	60	13.7	3550
(S)TH1406B380	250/111			95					
(S)TH1407B470	250/128	640	470	108	10.3	460	60	15.8	3550
(S)TH1408B470	250/147	647	470	123	12.6	460	60	19.5	3560
(S)TH1409B570	250/165	647	566	127	15.0	460	60	23.6	3560
(S)TH1410B570	250/184			128					
(S)TH1411B660	250/203	952	662	157	17.3	460	60	27	3555
(S)TH1412B660	250/222			160					

Immersion Pumps

series TH and FH use **closed impellers** in order to minimize power consumption and to optimize hydraulic pump efficiencies.

In addition, the TH series offers high pressures at short immersion depths. Inline pumps of the series FH can be used as **boosting pumps** if provided with positive inlet pressure. This inlet pressure can be provided by the central coolant supply or a feed pump. In such a setup, pumps of the series FH can raise the incoming pressure by up to 26 bar.

Extended length is possible. See medium pressure pumps features within the technical information section.

Applications

Types of fluid
 Industry water
 coolants
 cooling/cutting oils
 Kinematic viscosity
 ...25 mm²/s (25 cSt)
 Pumping temperature
 0...80° C

Construction

Pump body	cast iron
Cover	cast iron
Impellers	CrNi-steel
Shaft	CrNi-steel
Diffusers	CrNi-steel
Mechanical seal	SiC
O-rings	Viton
Optional:	
Pump body	CrNi-steel
Cover	CrNi-steel

Noise level

(S)TH1402	66 dBA
(S)TH1403...(S)TH1404	74 dBA
(S)TH1405...(S)TH1407	77 dBA
(S)TH1408...(S)TH1410	79 dBA
(S)TH1411...(S)TH1412	81 dBA

