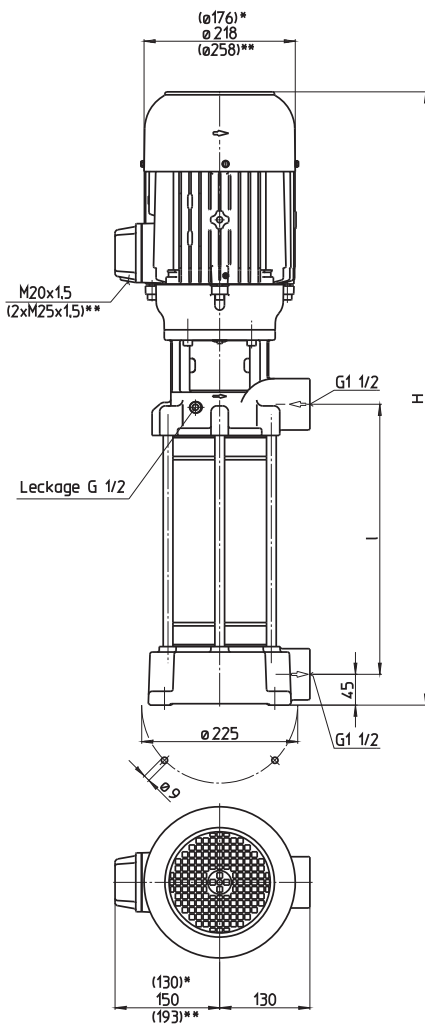


FH11

50 Hz

Closed impellers

FH1102...1121



*) Dimensions for FH1102...1106

***) Dimensions for FH1115...1121

Type	Vol. del. at manom. del. head l/min / m	Height H mm	Length l mm	Weight kg	Power kW	Voltage 3~ V	Fre- quen- cy Hz	Current A	Speed 1/min
FH1102A18	150/19	643	212	39	1.3	220-240	50	4.85	2900
						380-415	50	2.80	2900
FH1103A18	150/29	643	212	40	1.5	220-240	50	5.5	2880
						380-415	50	3.2	2880
FH1104A28	150/38	765	308	44	1.7	220-240	50	6.24	2890
						380-415	50	3.60	2890
FH1105A28	150/48	798	308	48	1.9	220-240	50	6.84	2900
						380-415	50	3.95	2900
FH1106A28	150/58	798	308	50	2.6	220-240	50	9.30	2880
						380-415	50	5.35	2880
FH1107A31	150/67	869	340	60	3.0	220-240	50	10.7	2930
						380-415	50	6.2	2930
FH1108A38	150/78	933	404	63	3.3	220-240	50	11.6	2930
						380-415	50	6.7	2930
FH1109A38	150/88	933	404	64	4.0	220-240	50	14.50	2920
						380-415	50	8.35	2920
FH1110A47	150/98	1028	500	66					
FH1111A47	150/106	1058	500	72	5.0	220-240	50	17.3	2920
FH1112A47	150/118			73		380-415	50	10.0	2920
FH1113A50	150/128	1090	532	74	5.5	220-240	50	18.9	2915
						380-415	50	10.9	2915
FH1114A57	150/138	1154	596	75					
FH1115A57	150/149	1232	596	107	7.5	380-415	50	14.3	2950
FH1116A66	150/158	1328	682	109					
FH1117A66	150/168			110					
FH1118A66	150/178			113					
FH1119A76	150/188	1424	788	117	9.0	380-415	50	16.7	2955
FH1120A76	150/198			118					
FH1121A76	150/206			119					

Pressure Boosting Pumps

series TH and FH use **closed impellers** in order to minimize power consumption and to optimize hydraulic pump efficiencies.

In addition, the TH series offers high pressures at short immersion depths. Inline pumps of the series FH can be used as **boosting pumps** if provided with positive inlet pressure. This inlet pressure can be provided by the central coolant supply or a feed pump. In such a setup, pumps of the series FH can raise the incoming pressure by up to 26 bar.

A **frequency converter** can be supplied for **special applications** or for matching the pump characteristic to a specific duty point.

See page "Control/Regulation" in the Technical Information section of this catalog for further information.



Applications

Types of fluid
 Industry water
 coolants
 cooling/cutting oils
 Kinematic viscosity
 ...25 mm²/s (25 cSt)
 Pumping temperature
 0...80° C

Construction

Pump body	cast iron
Cover	cast iron
Impellers	CrNi-steel
Shaft	CrNi-steel
Diffusers	CrNi-steel
Mechanical seal	SiC
O-rings	Viton

Noise level	
FH1102...FH1106	63 dBA
FH1107...FH1114	71 dBA
FH1115...FH1121	74 dBA

