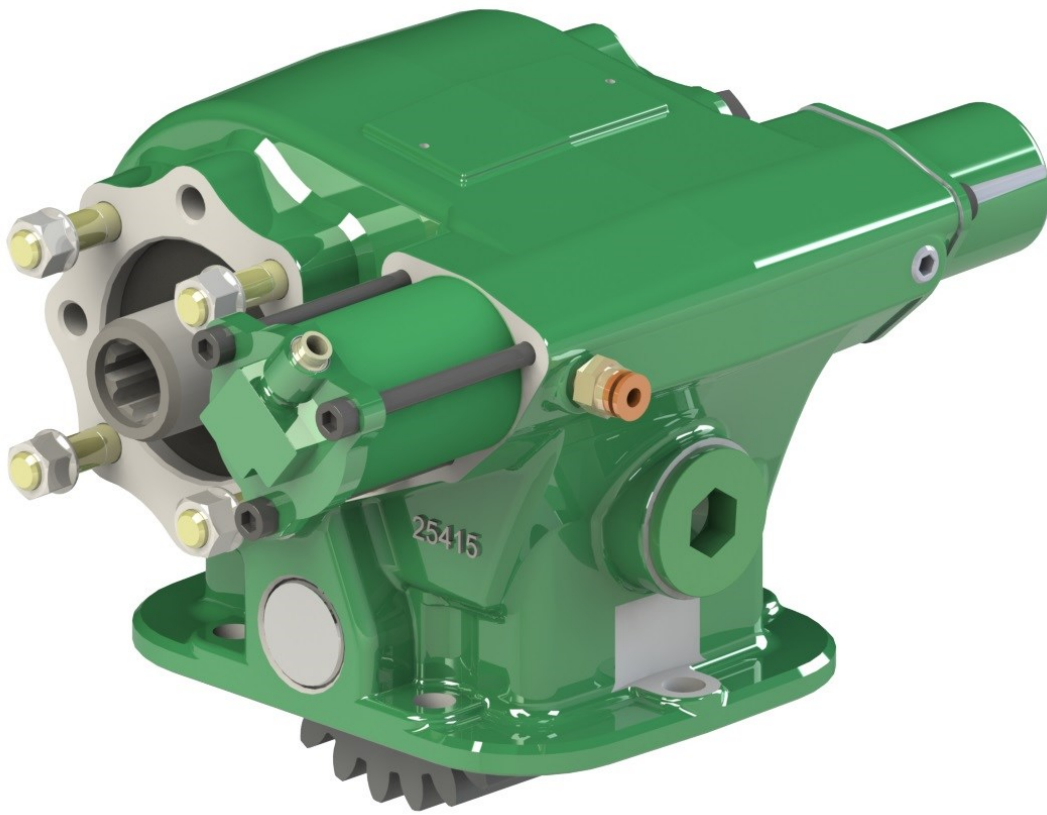


Technical Data Sheet



PA78 SERIES POWER TAKE-OFF

SAE 6 Bolt Side Mounted PTO

The 78 series is designed for transmissions with SAE 6 bolt openings, it has an optimised output ratio for most applications.

Suitable for the reverse idler PTO opening on certain Eaton transmissions, this PTO is suitable for direct drive and overdrive versions.

With optimised ratios this PTO will provide extra torque for normal engine speeds.

Suits:

Eaton FS/FSO 4106, 5206, 6109, 6209, 6309, 8209 and 8309.

(Refer to the eGuide Configurator on www.hydreco.com for confirmation and details)

Product Features

- **Wide Variety of Assembly Options**
Fits many different applications and locations with air control.
- **Mechanical or Hydraulic Output Options**
Wide variety of options for fitment on a variety of applications.
- **Standard SAE 6 Bolt Mount**
Suitable for a wide range of transmissions.
- **Tapered Roller Bearings on Output Shaft**
Longer life and higher performance.

POWAUTO

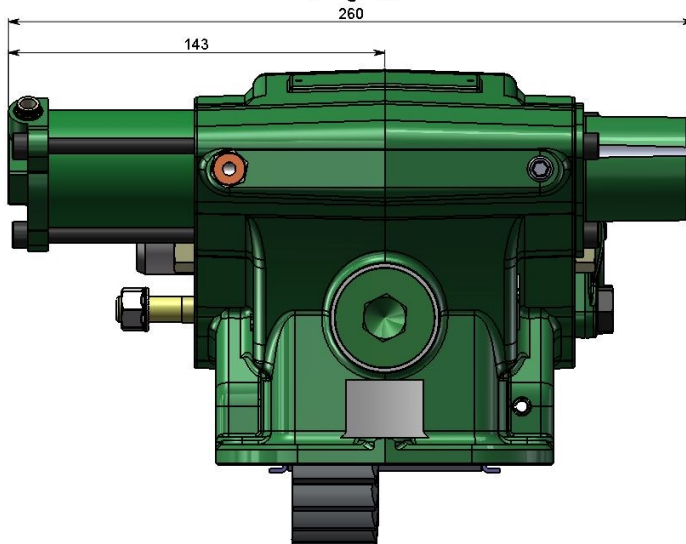
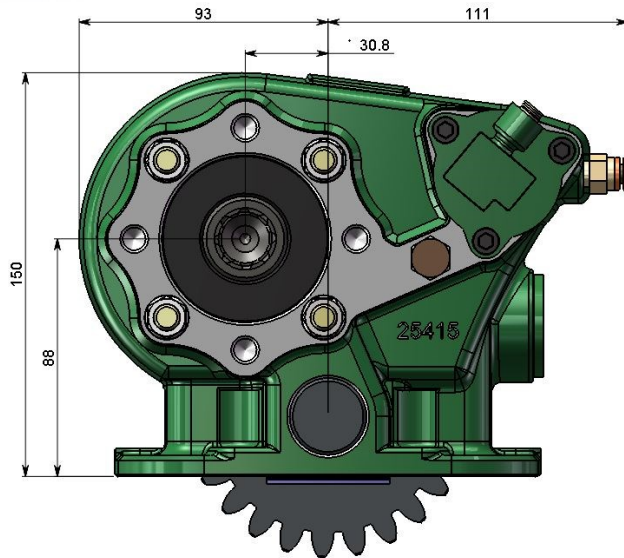
DAVID BROWN
HYDRAULICS

HYDRECO

HYDRECO
POWAUTO
HYDRAULIC SOLUTIONS PROVIDER

www.hydreco.com

Technical Data Sheet



PTO DESIGNATION CODES

78 Series

Identifier
PA = PTO Side Mount

PTO Series
78

Gear Type
BE

Build
L = Left side of transmission
R = Right side of transmission
1 = Selector to top / Bias to bottom
2 = Selector to bottom / Bias to top
4 = Rear to centre
(Position of gear in transmission)

Engagement Type
A = Air

Output Type
08 = 8T Powauto Hydraulic Spline
10 = 14T 12/24 30° Spline + 1310 Flange
11 = 14T 12/24 30° Spline + 1410 Flange
13 = 13T SAE B Hydraulic Spline + SAE B Pump Mount
Other outputs available on request, subject to MOQ.

Manufacturers Code
A = With Pressure Switch
B = With Mounting Kit
C = With Mounting Kit & PTO Control Kit

PA 78 BE L14 A 08 *

Technical Specifications		
Ratings & Service Parts		
Torque	Nm / ft.lb	250 / 185
Power @ 500 rpm	kW / hp	13 / 17
Power @ 1000 rpm	kW / hp	26 / 35
Output Shaft Rotation		Same As Engine
Approximate Bare Mass	kg / lb	12.0 / 26.4
Mounting Kit		MK1137B
Mounting Gasket Kit		GK001
Seal Kit		SK079A
Bearing Kit		BK079A

Note: For full details refer to the owners manual or the eGuide configurator found at www.hydreco.com/markets/transport

DISTRIBUTOR:

Doc: PA78—03/17

POWAUTO

DAVID BROWN
HYDRAULICS

HYDRECO

HYDRECO
POWAUTO
HYDRAULIC SOLUTIONS PROVIDER

www.hydreco.com