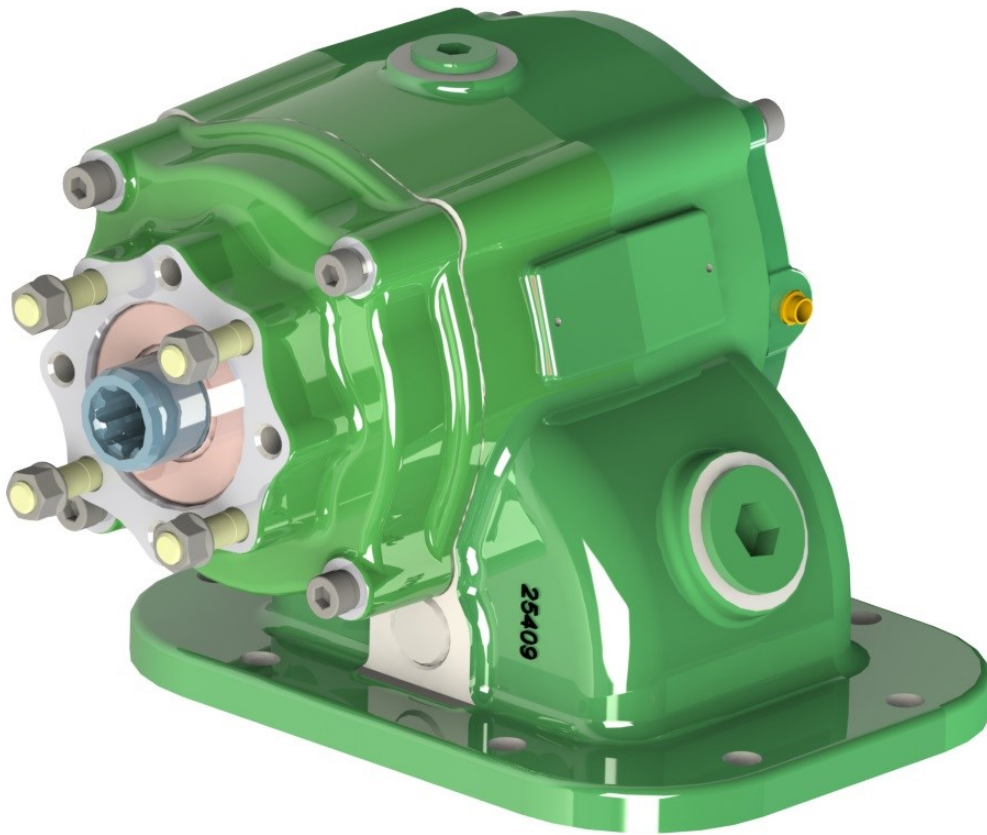


Technical Data Sheet



PA39 SERIES POWER TAKE-OFF

Product Features

SAE 8 Bolt Side Mounted Hotshift Power Take-Off

Designed for transmissions with SAE 8 bolt openings, the 39 series PTO has an output ratio suitable for high torque in critical applications.

Built with constant mesh gearing, this PTO incorporates a clutch pack to engage and disengage the output shaft.

With optimised ratios this PTO will provide extra torque for normal engine speeds.

Suits:

Eaton, Fuller & TTC transmissions.
(Refer to the eGuide Configurator on www.hydreco.com for confirmation and details)

- **Wide Variety of Assembly Options**
For flexibility in applications and locations
- **Available With Mechanical & Hydraulic Outputs**
For a wide variety of options for fitment.
- **Standard SAE 6 Bolt Mount**
Suitable for a wide variety of transmissions.
- **Deep Groove Ball Bearings on Output Shaft**
Longer life, higher performance.
- **Hot Shift**
Can engage 'on the run', no need for clutch operation with manual gearboxes.

POWAUTO

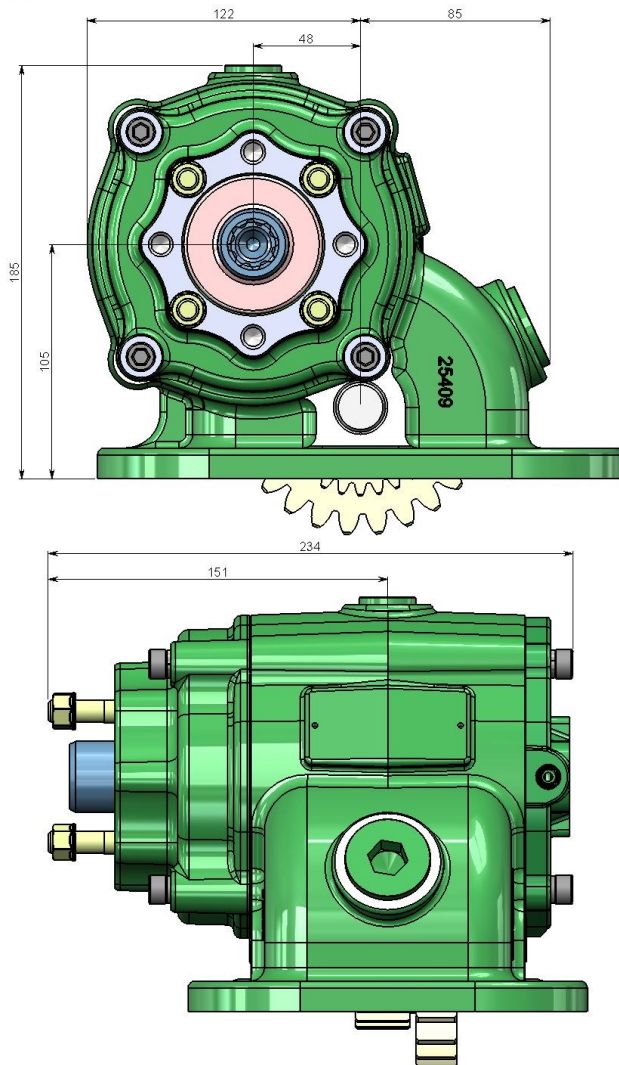
DAVID BROWN
HYDRAULICS

HYDRECO

HYDRECO
POWAUTO
HYDRAULIC SOLUTIONS PROVIDER

www.hydreco.com

Technical Data Sheet



PTO DESIGNATION CODES

39 Series

PA 39-2 B L11 A 08 *

Identifier

PA = PTO Side Mount

PTO Series

39

Ratio

0
1
2

Gear Type

B, X

Build

L = Left side of transmission
R = Right side of transmission
1 = Selector to top / Bias to bottom
2 = Selector to bottom / Bias to top
1 = Centre to front
(Position of gear in transmission)

Engagement Type

A = Air

Output Type

08 = 8T Powauto Hydraulic Spline
10 = 14T 12/24 30° Spline + 1310 Flange
11 = 14T 12/24 30° Spline + 1410 Flange
13 = 13T SAE B Hydraulic Spline + SAE B Pump Mount
23 = 8T Ø36 DIN 5462 Spline - Female and DIN Mount
Other outputs available on request, subject to MOQ.

Manufacturers Code

A = With Pressure Switch
B = With Mounting Kit
C = With Mounting Kit & PTO Control Kit

Technical Specifications		
Ratings & Service Parts		
Torque	Nm / ft.lb	417 / 306
Power @ 500 rpm	kW / hp	21.8 / 29.2
Power @ 1000 rpm	kW / hp	43.6 / 58.5
Output Shaft Rotation		Opposite To Engine
Approximate Bare Mass	kg / lb	20.0 / 44.0
Mounting Kit		* See note
Mounting Gasket Kit		GK002
Seal Kit		SK062A
Bearing Kit		BK062A

* Mounting kit varies with transmission - refer to eGuide Configurator.

Note: For full details refer to the owners manual or the eGuide configurator found at www.hydreco.com/markets/transport

DISTRIBUTOR:

Doc: PA39—06/17

POWAUTO

DAVID BROWN
HYDRAULICS

HYDRECO

HYDRECO
POWAUTO
HYDRAULIC SOLUTIONS PROVIDER

www.hydreco.com