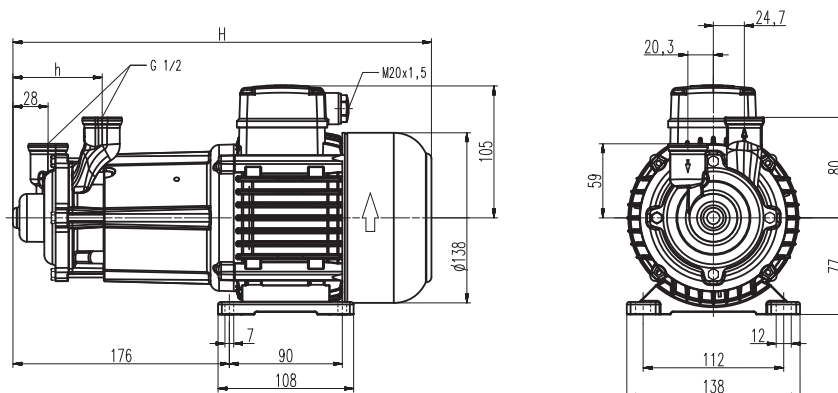


# Miniature Centrifugal Pumps

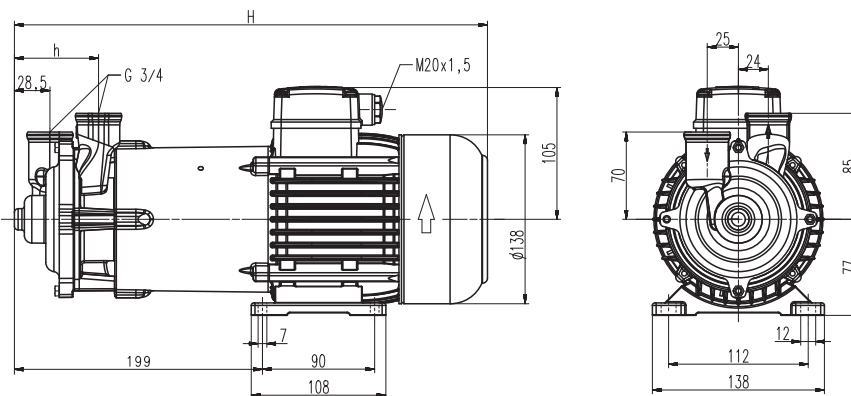
## BMK3...BMK4

### Peripheral impellers

#### BMK3



#### BMK4



Type	Vol. del. at manom. del. head	Dimensions		Weight	Power kW	Voltage 3 ~ V	Fre- quen- cy Hz	Current A	Speed 1/min
	l/min /m	H mm	h mm	kg					
BMK3	10/35	333	71	9.3	0.52	220-240	50	2.30	2750
						380-420	50	1.34	2750
						460	60	1.34	3400
BMK4	10/48	430	67.5	14	1.1	220-240	50	4.33	2850
						380-415	50	2.50	2850
					1.27	460	60	2.4	3440

### Miniature Centrifugal Pumps

of the **BMK series** have been desined for **clean water circuits** of up to 160 degree C fluid temperature and up to **7 bar** of system pressure.

The pumps are equipped with a magnetic coupling. The pumps can be mounted vertically or horizontally. The specific design allows the pumps to operate wear poor.

### Applications

#### Types of fluid

Industry water up to 160° C at 7 bar system-pressure

### Construction

Pump body	CrNi-steel
Cover	CrNi-steel
Impeller	CrNi-steel
Shaft	Ceramic
Gasket	Split-case

#### Noise level

BMK3	65 dBA
BMK4	67 dBA

