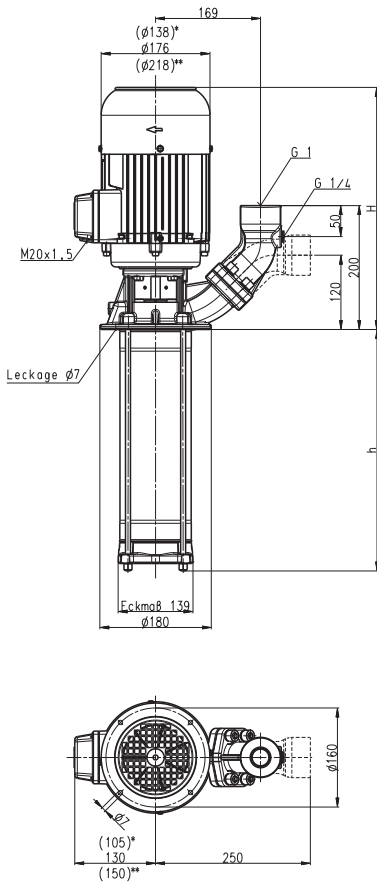


(S)TH4

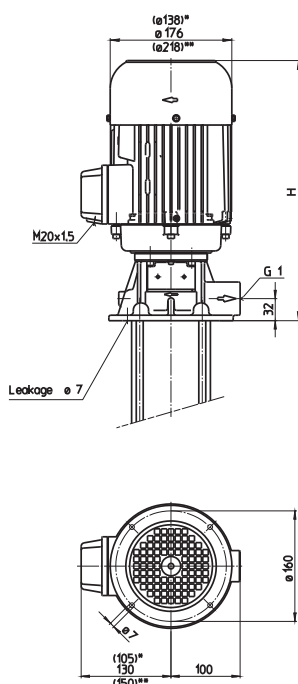
Closed impellers

50 Hz

STH403...436



TH403...436



Type	Vol. del. at manom. del. head l/min / m	Height H mm	Depth of immersion h mm	Weight kg	Power kW	Voltage 3 ~ V	Fre- quen- cy Hz	Current A	Speed 1/min
(S)TH403A190	40/18	291	190	14.4	0.45	220-240	50	1.9	2800
(S)TH404A190	40/25			14.5		380-420	50	1.1	2800
(S)TH405A190	40/30	291	190	14.9	0.54	220-240	50	2.42	2800
(S)TH406A190	40/36			15.0		380-420	50	1.40	2800
(S)TH407A290	40/42	332	290	17.9	0.75	220-240	50	3.24	2850
(S)TH408A290	40/50			18.0		380-415	50	1.87	2850
(S)TH409A290	40/56	332	290	18.5	0.85	220-240	50	3.64	2850
						380-415	50	2.10	2850
(S)TH410A290	40/62	332	290	19	0.92	220-240	50	3.8	2840
						380-415	50	2.2	2840
(S)TH411A290	40/68	359	290	20.1	1.1	220-240	50	4.33	2850
						380-415	50	2.50	2850
(S)TH412A390	40/74		390	20.6					
(S)TH413A390	40/80	381	390	27.6	1.3	220-240	50	4.85	2900
						380-415	50	2.80	2900
(S)TH414A390	40/86	381	390	28.1	1.5	220-240	50	5.5	2880
(S)TH415A390	40/95			28.2		380-415	50	3.2	2880
(S)TH416A390	40/104	407	390	30.9	1.7	220-240	50	6.24	2890
						380-415	50	3.60	2890
(S)TH417A490	40/112		490	31.4					
(S)TH418A490	40/118	439	490	35.6	1.9	220-240	50	6.84	2900
(S)TH419A490	40/125			35.9		380-415	50	3.95	2900
(S)TH420A490	40/130	439	490	36.0	2.2	220-240	50	7.8	2890
(S)TH421A490	40/136			36.1		380-415	50	4.5	2890
(S)TH422A590	40/142		590	36.6					
(S)TH423A590	40/150	439	590	37.2	2.6	220-240	50	9.30	2880
(S)TH424A590	40/156			37.3		380-415	50	5.35	2880
(S)TH425A590	40/162			37.4					
(S)TH426A590	40/168			37.5					
(S)TH427A690	40/175		690	38.0					
(S)TH428A690	40/182	432	690	50.0	3.0	220-240	50	10.7	2930
(S)TH429A690	40/190			50.2		380-415	50	6.2	2930
(S)TH430A690	40/198	432	690	50.4	3.3	220-240	50	11.6	2930
(S)TH431A690	40/208			50.6		380-415	50	6.7	2930
(S)TH432A790	40/216		790	51.4					
(S)TH433A790	40/220	432	790	52.6	4.0	220-240	50	14.50	2920
(S)TH434A790	40/230			52.7		380-415	50	8.35	2920
(S)TH435A790	40/240			52.8					
(S)TH436A790	40/248			53.0					

*) Dimensions for (S)TH403...(S)TH412
 **) Dimensions for (S)TH428...(S)TH436

Immersion Pumps

series TH and FH use **closed impellers** in order to minimize power consumption and to optimize hydraulic pump efficiencies.

In addition, the TH series offers high pressures at short immersion depths. Inline pumps of the series FH can be used as **boosting pumps** if provided with positive inlet pressure. This inlet pressure can be provided by the central coolant supply or a feed pump. In such a setup, pumps of the series FH can raise the incoming pressure by up to 26 bar.

Extended length is possible. See medium pressure pumps features within the technical information section.

Applications

Types of fluid
 Industry water
 coolants
 cooling/cutting oils
 Kinematic viscosity
 1 mm²/s (1 cSt)
 higher viscosity upon request
 Pumping temperature
 0...80° C

Construction

Pump body	cast iron
Cover	cast iron
Impellers	CrNi-steel
Shaft	CrNi-steel
Diffusers	CrNi-steel
Mechanical seal	SiC
O-rings	Viton
Optional:	
Pump body	bronze
Cover	CrNi-steel
	bronze
	CrNi-steel

Noise level	
(S)TH403...(S)TH412	58 dBA
(S)TH413...(S)TH427	63 dBA
(S)TH428...(S)TH436	71 dBA

