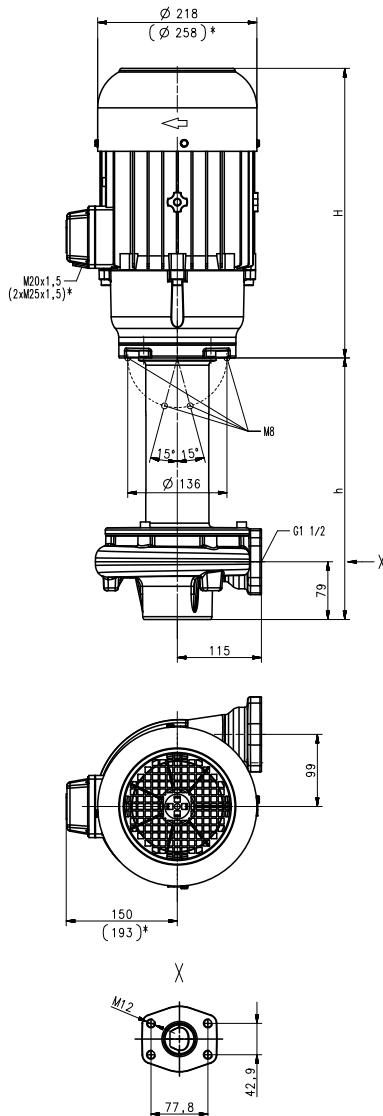


Stainless Steel Immersion Pumps

TVG900...1000

Closed impellers

TVG900...1000



*) Dimensions for TVG1000/60Hz

Type	Vol. del. at manom. del. head l/min / m	Height H mm	Depth of immersion h mm	Weight kg	Power kW	Voltage 3~ V	Fre- quen- cy Hz	Current A	Speed 1/min
TVG900/360	500/22	396	358	63	3.3	220-240	50	11.6	2930
	580		578	69					
	880		878	82					
	1100		1098	88					
TVG900/360 60Hz	500/35	426	358	69	5.75	460	60	9.5	3520
	580		578	75					
	60Hz								
	880		878	88					
	1100		1098	94					
	60Hz								
TVG1000/360	600/26	426	358	69	5.0	220-240	50	17.3	2920
	580		578	75					
	880		878	88					
	1100		1098	94					
TVG1000/360 60Hz	600/40	468	358	91	7.48	460	60	11.5	3545
	580		578	97					
	60Hz								
	880		878	109					
	1100		1098	115					
	60Hz								

Stainless Steel Immersion Pumps

are centrifugal pumps of compact design with the impeller mounted directly onto the extended motor shaft.

The **TVG pump** series maximizes hydraulic efficiencies with its **closed impeller** design.

These pump series are both particularly well suited for industrial washing applications of metal parts.

Complete pump and plate assemblies, including discharge pipe and mounting plate are available upon request.

Applications

- Types of fluid
- Industry water
 - coolants
 - cooling/cutting oils
 - lees / solvents
 - de-ionized water
- Kinematic viscosity
- ...20 mm²/s (20 cSt)
- Pumping temperature
- 0...90° C

Construction

Pump body	CrNi-steel
Cover	CrNi-steel
Impeller	CrNi-steel
Shaft	CrNi-steel
Optional:	
Suction cover	with threaded inlet
Noise level	
TVG900	71 dBA
TVG1000	
TVG900/60Hz	74 dBA
TVG1000/60Hz	77 dBA

