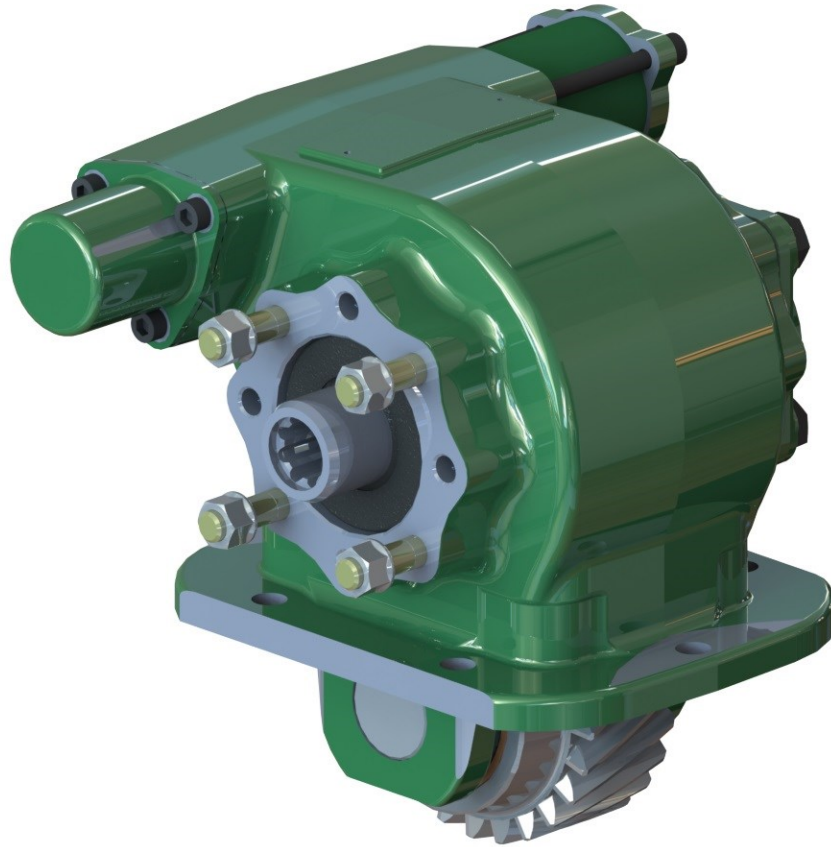


Technical Data Sheet



PA414 SERIES POWER TAKE-OFF

Product Features

Deep Reach High Torque 6 Bolt Side Mounted PTO

The 414 series is designed for the left opening of many Mitsubishi transmissions with a 6 bolt opening, it is a heavy duty deep reach design.

Suits:

Mitsubishi Fuso M4S5, M5S5, M6S6, M050S6, M060S5, M060S6, M070S6 (OD) transmissions.
(Refer to the eGuide Configurator on www.hydreco.com for confirmation and details)

- **Output Speeds 75.2 to 89.6% of Engine Speed (Transmission Dependant)**
For very high torque at the output.
- **Wide Variety of Outputs**
To suit many vehicle configurations.
- **Constant Mesh Gears**
For longer life.
- **Heavy Duty Bearings**
For long life and better support for the idler gear.

POWAUTO

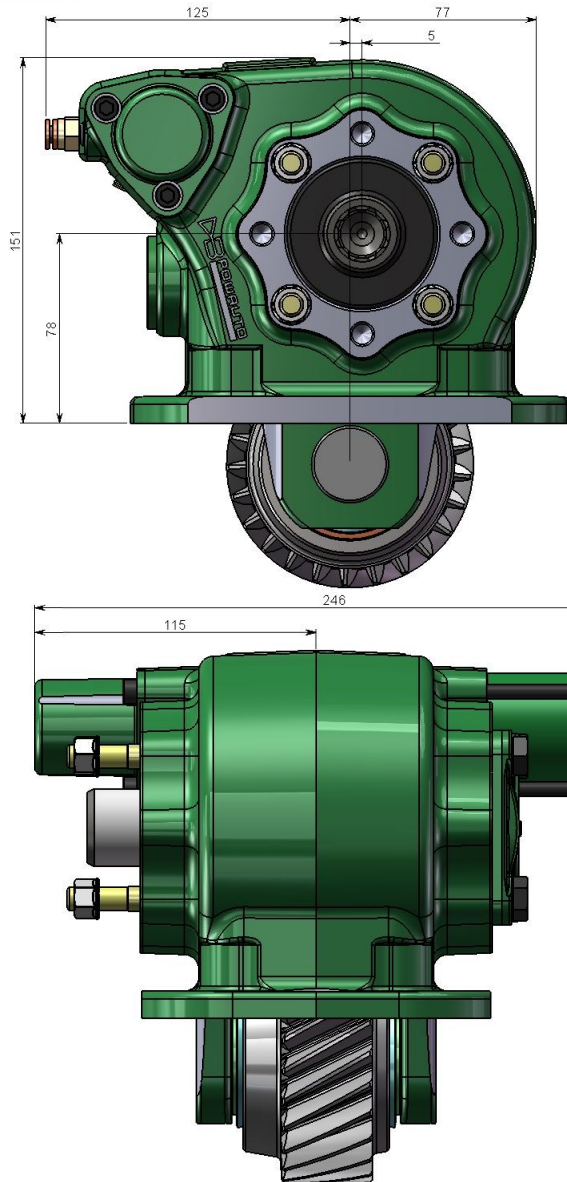
DAVID BROWN
HYDRAULICS

HYDRECO

HYDRECO
POWAUTO
HYDRAULIC SOLUTIONS PROVIDER

www.hydreco.com

Technical Data Sheet



PTO DESIGNATION CODES

414 Series

PA 414 SC L24 K 08 *

Identifier
PA = PTO Side Mount

PTO Series
414

Gear Type
SC, SP, SP1, SX

Build
L = Left side of transmission
1 = Selector to top / Bias to bottom
2 = Selector to bottom / Bias to top
1 = Centre to front
4 = Rear to centre
(Position of gear in transmission)

Engagement Type
K = Air (Pull to engage)

Output Type
08 = 8T Powauto Hydraulic Spline
11 = 14T 12/24 30° Spline + 1410 Flange
13 = 13T SAE B Hydraulic Spline + SAE B Pump Mount
23 = 8T Ø36 DIN 5462 Spline - Female and DIN Mount
25 = 9T SAE A Hydraulic Spline + SAE A Pump Mount
26 = 14T 12/24 30° Spline + SAE C 2 & 4 Bolt Mount
Other outputs available on request, subject to MOQ.

Manufacturers Code
A = With Pressure Switch
B = With Mounting Kit
C = With Mounting Kit & PTO Control Kit

Technical Specifications		SC	SP & SP1	SX
Ratings & Service Parts				
Torque	Nm / ft.lb	380 / 280	387 / 286	390 / 288
Power @ 500 rpm	kW / hp	19.8 / 26.5	20.2 / 27.0	20.4 / 27.4
Power @ 1000 rpm	kW / hp	39.6 / 53.0	40.3 / 54.0	40.8 / 54.8
Output Shaft Rotation		Opposite To Engine		
Approximate Bare Mass	kg / lb	12.0 / 26.4		
Mounting Kit		MK1118B		
Mounting Gasket Kit		GK008		
Seal Kit		SK065A		
Bearing Kit		BK065A		

Note: For full details refer to the owners manual or the eGuide configurator found at www.hydreco.com/markets/transport

DISTRIBUTOR:

Doc: PA414—03/17

www.hydreco.com

POWAUTO

DAVID BROWN
HYDRAULICS

HYDRECO

HYDRECO
POWAUTO
HYDRAULIC SOLUTIONS PROVIDER