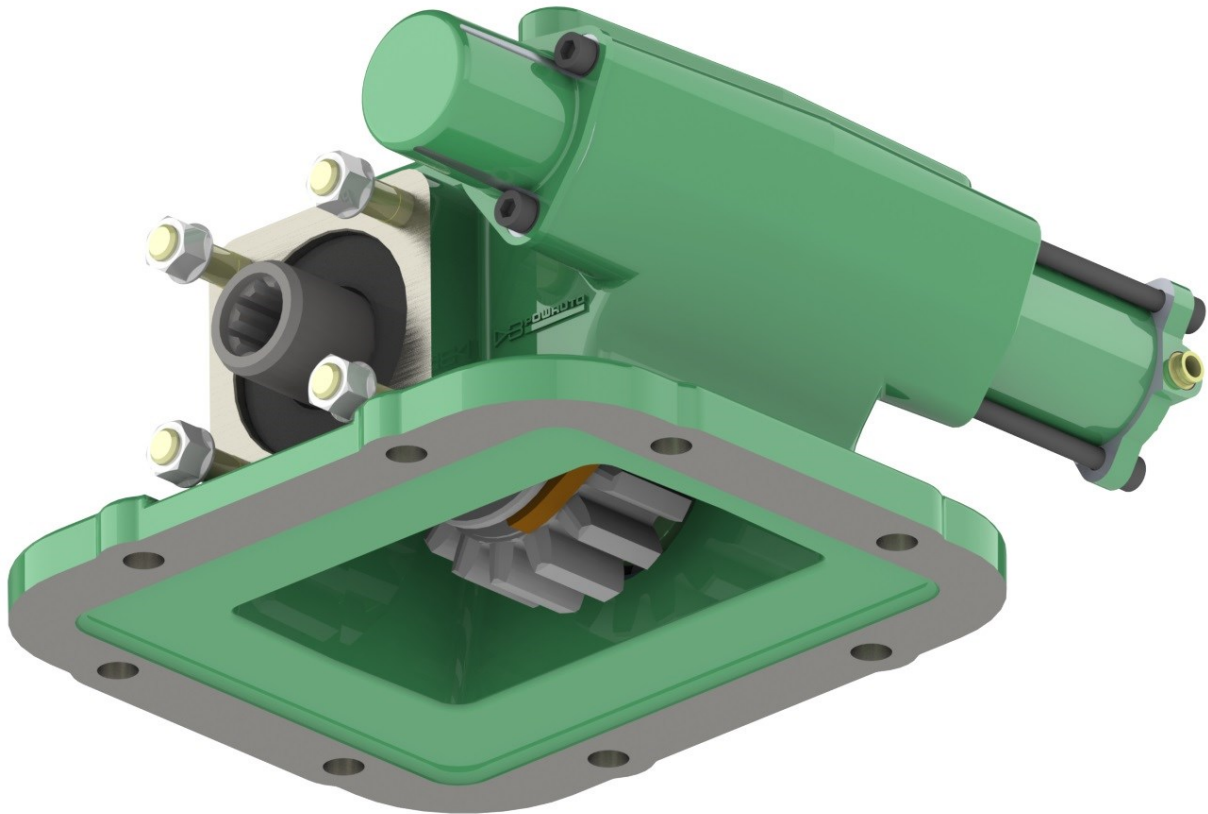


Technical Data Sheet



PA860 SERIES POWER TAKE-OFF

8 Bolt Single Gear Side Mounted PTO

The 860 series is a single reduction PTO designed for Hino M009 transmissions with an 8 bolt opening.

Continuing Hydreco Powauto's commitment to maximum torque output, this PTO achieves superior strength with minimum size and is economically priced.

Suits:

Hino M009 transmissions.

(Refer to the eGuide Configurator on www.hydreco.com for confirmation and details)

Product Features

- **Output is 96.7% of Engine Speed**
For maximum torque output for pump operation.
- **Air Shift Operated**
For ease of engagement.
- **Single Gear Design**
For simple and smooth operation.
- **Viton Seals**
For high temperature conditions.
- **Tapered Roller Bearings**
For higher torque capacity.

POW AUTO

DAVID BROWN
HYDRAULICS

HYDRECO®

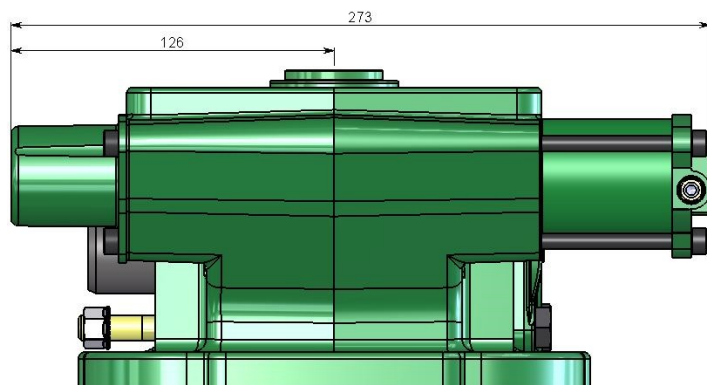
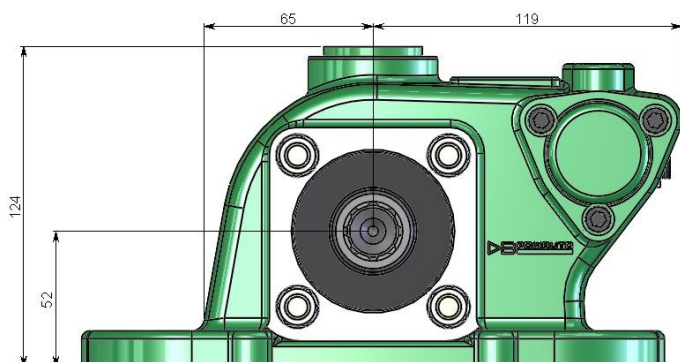
HYDRECO
POW AUTO

ADVANCED HYDRAULIC TECHNOLOGIES



www.hydreco.com

Technical Data Sheet



PTO DESIGNATION CODES

860 Series

PA 860 SJ L12 A 08 *

Identifier

PA = PTO Side Mount

PTO Series

860

Gear Type

SJ

Build

L = Left side of transmission

1 = Selector to top / Bias to bottom

2 = Selector to bottom / Bias to top

2 = Centre to rear

(Position of gear in transmission)

Engagement Type

A = Air

Output Type

08 = 8T Powauto Hydraulic Spline

09 = 14T 12/24 30° Spline + 35 x 60 Flange

Other outputs available on request, subject to MOQ.

Manufacturers Code

A = With Pressure Switch

B = With Mounting Kit

C = With Mounting Kit & PTO Control Kit

F = With Pressure Switch & Mounting Kit

Technical Specifications		
Ratings & Service Parts		
Torque	Nm / ft.lb	412 / 304
Power @ 500 rpm	kW / hp	21.5 / 28.9
Power @ 1000 rpm	kW / hp	43.0 / 57.8
Output Shaft Rotation		Opposite to Engine
Approximate Bare Mass	kg / lb	14.0 / 30.8
Mounting Kit		MK1111A
Mounting Gasket Kit		GK031
Seal Kit - Mechanical Output		SK093
Seal Kit - Hydraulic Output		SK093A
Repair Kit - Mechanical Output		BK093
Repair Kit - Hydraulic Output		BK093A

Note: For full details refer to the owners manual or the eGuide configurator found at www.hydreco.com/solutions/on-road

Doc: PA860—09/18

POW AUTO

DAVID BROWN
HYDRAULICS

HYDRECO®

HYDRECO
POW AUTO
ADVANCED HYDRAULIC TECHNOLOGIES



www.hydreco.com