

Technical Data Sheet



3 WAY TIPPING KIT FOR UNDERBODY HOISTS

Underbody Hydraulic Hoist 3 Way Tipping Kits and Cradles

The underbody 3 way tipping kits and cradles are for those applications where side tipping is also a requirement. It allows the operator to decide between rear tipping or left or right side tipping.

Available in 12 and 24 tonne capacity.

To be used with the Hydreco underbody hoist range.

Product Features

- **Compact Size**
Easily installed under tipper body.
- **Rugged Construction**
Increases working life.
- **Pre Packaged Kit**
Ease of installation.
- **Greasable Ball Kits**
Low noise in operation and transport.

POWAUTO

DAVID BROWN
HYDRAULICS

HYDRECO®

HYDRECO
POWAUTO
ADVANCED HYDRAULIC TECHNOLOGIES

www.hydreco.com

Technical Data Sheet

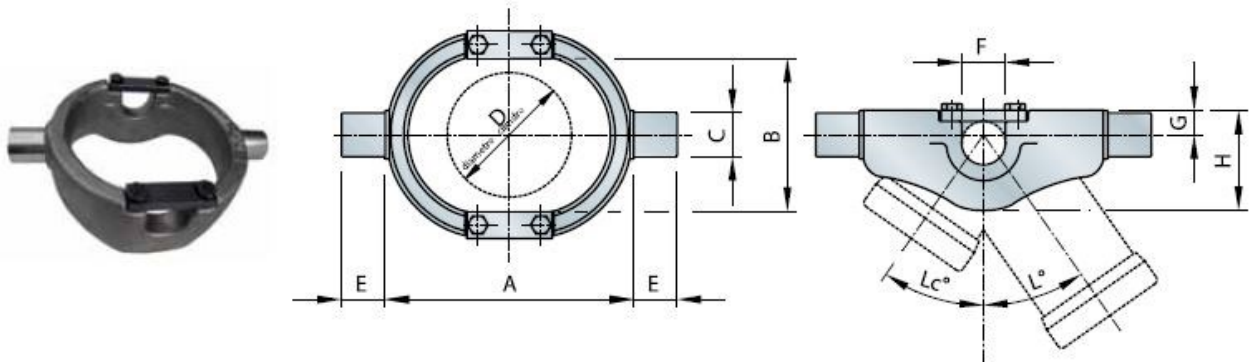
3 Way Tipping Kit



3 Way Tipping Kit Designation	Ball Diameter mm	Capacity Tonne
UB3W-TK60	60	12.0
UB3W-TK80	80	24.0

3 Way Tipping Cradle

In addition to the 3 Way Tipping Kit, a cradle is also required.



Cradle Designation	Dimensions, mm								Angle L	Angle Lc	Weight kg
	A	B	C	D	E	F	G	H			
UB3WC-95	200	120	ø35	ø95	35	ø35	25	77	35°	27°	5.5
UB3WC-114	230	140	ø40	ø114	40	ø35	27	90	35°	30°	8.0
UB3WC-127	230	155	ø40	ø127	40	ø40	29	110	32°	28°	9.5
UB3WC-152	280	180	ø50	ø152	40	ø45	45	120	32°	28°	13.5
UB3WC-193	390	235	ø50	ø193	52	ø50	67	185	32°	29°	29.5

In addition, each cradle will require two (2) feet for mounting.

Feet size is determined from diameter "C".

Doc: UBH3W—04/18

POWAUTO

DAVID BROWN
HYDRAULICS

HYDRECO®

HYDRECO
POWAUTO
ADVANCED HYDRAULIC TECHNOLOGIES

www.hydreco.com