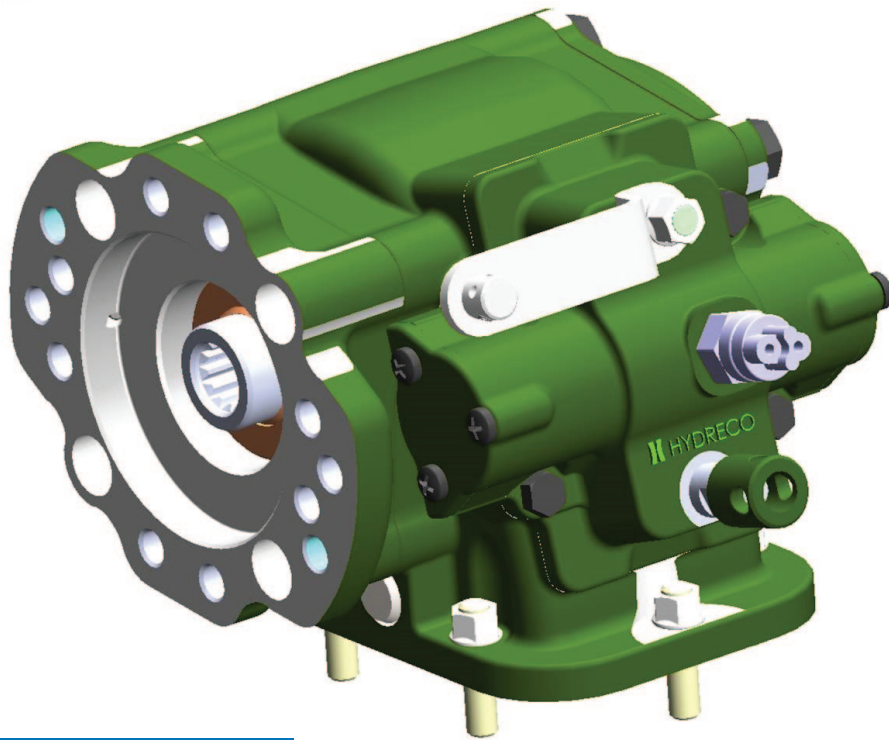


Technical Data Sheet



PA678/878 SERIES POWER TAKE-OFF

6 & 8 BOLT STANDARD SERIES PTO

Highest torque in the industry of other basic models

Hydreco's New 6 & 8 Bolt Standard Series PTO is all cast iron with the most environmentally conscious design in the market. All "O" ring seals with a machined stop for the output shaft seal promote a leak-free environment.

Taper roller bearing is used on idler and input shaft.

PRODUCT FEATURES

- ALL CAST IRON DESIGN
- ALL "O" RING SEALS USED TO PREVENT ANY LEAKS
- HARDENED SIDE TABS TO REDUCE WEAR IN THE HOUSING
- ALL UNITS WILL HAVE A GREASEABLE SHAFT STANDARD (direct pump mount models)
- MACHINED STOP FOR OUTPUT SHAFT SEAL
- FLOATING AIR SHIFT PISTON FOR EASE OF ENGAGEMENT
- AIR FITTING INCLUDED IN SHIFT COVER
- LARGE OVERSIZE TAPERED ROLLER BEARINGS ON OUTPUT SHAFT
- NO INTERNAL SHIMS USED
- OVER-SIZED BOLTS
- BOLT HOLES ALL OUTSIDE OF THE INTERNAL HOUSING

POWAUTO

DAVID BROWN
HYDRAULICS

HYDRECO®

HYDRECO
POWAUTO
HYDRAULIC SOLUTIONS PROVIDER

www.hydreco.com

Technical Data Sheet

PTO DESIGNATION CODES

IDENTIFIER
PA = PTO Side mount

PTO SERIES
678 and 878

RATIO
02 = 48.39%
03 = 53.33%
04 = 70.37%
05 = 84.00%

GEAR TYPE
01

BUILD

R = Right side of transmission
L = Left side of transmission
1 = Selector to top / Bias to bottom
2 = Selector to bottom / Bias to top
1 = Centre to front Position of gear in transmission

ENGAGEMENT TYPE

A = Air
C = Cable

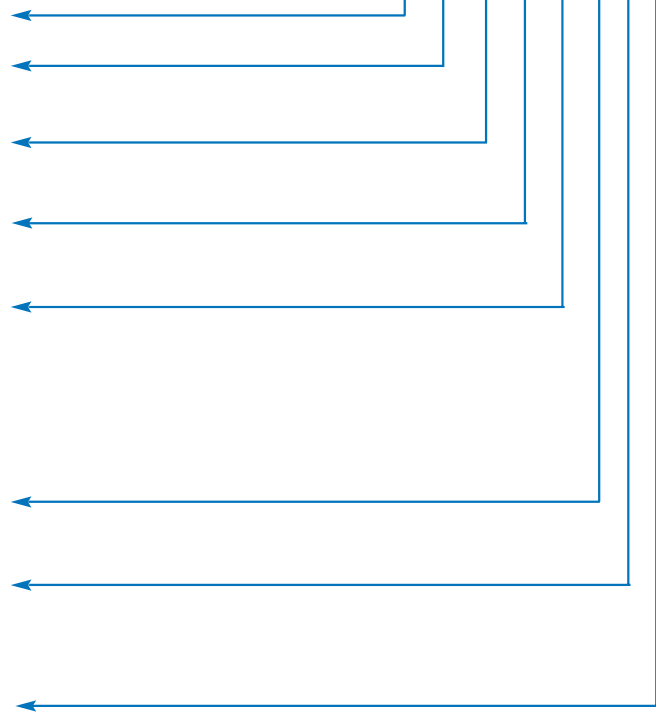
OUTPUT TYPE

01 = \emptyset 1 1/4" - 1 1/8" x 5/16" Key
13 = 13T SAE B Hydraulic Spline and 2 & 4 bolt mount
31 = 15 T SAE BB Hydraulic Spline + 2 & 4 bolt mount

MANUFACTURERS CODE

A = With switch
B = With Mounting Kit
C = With Mounting Kit and PTO Control Kit
F = With switch & Mounting Kit

PA 678 02 01 L11 A 01 C



Technical Specifications

Ratio	Rating for intermittent services	PA678	PA878
02 = 48.39%	Torque (Nm/ft lb)	345 / 254.5	345 / 254.5
	Power @ 500 rpm output shaft (kW / hp)	18.1 / 24.2	18.1 / 24.2
	Power @ 1000 rpm output shaft (kW / hp)	36.1 / 48.4	36.1 / 48.4
03 = 53.33%	Torque (Nm/ft lb)	345 / 254.5	345 / 254.5
	Power @ 500 rpm output shaft (kW / hp)	18.1 / 24.2	18.1 / 24.2
	Power @ 1000 rpm output shaft (kW / hp)	36.1 / 48.4	36.1 / 48.4
04 = 70.37%	Torque (Nm/ft lb)	310 / 228.6	310 / 228.6
	Power @ 500 rpm output shaft (kW / hp)	16.2 / 21.8	16.2 / 21.8
	Power @ 1000 rpm output shaft (kW / hp)	32.5 / 43.5	32.5 / 43.5
05 = 84.00%	Torque (Nm/ft lb)	300 / 221.3	300 / 221.3
	Power @ 500 rpm output shaft (kW / hp)	15.7 / 21.1	15.7 / 21.1
	Power @ 1000 rpm output shaft (kW / hp)	31.4 / 42.1	31.4 / 42.1
Output shaft rotation		Opposite	
Approximate Bare Mass (kg / lb)		PA678 31lbs / 14.1kgs	PA878 34lbs / 15.4kgs
Mounting kit PA678: MK1188 PA878 for imperial transmissions: MK1189 PA878 for metric transmissions: MK1189A			
For full details refer to your Hydreco distributor			

DEALER:

POWAUTO

DAVID BROWN
HYDRAULICS

HYDRECO

HYDRECO
POWAUTO
HYDRAULIC SOLUTIONS PROVIDER

Version Control No. 2014 12 A

www.hydreco.com