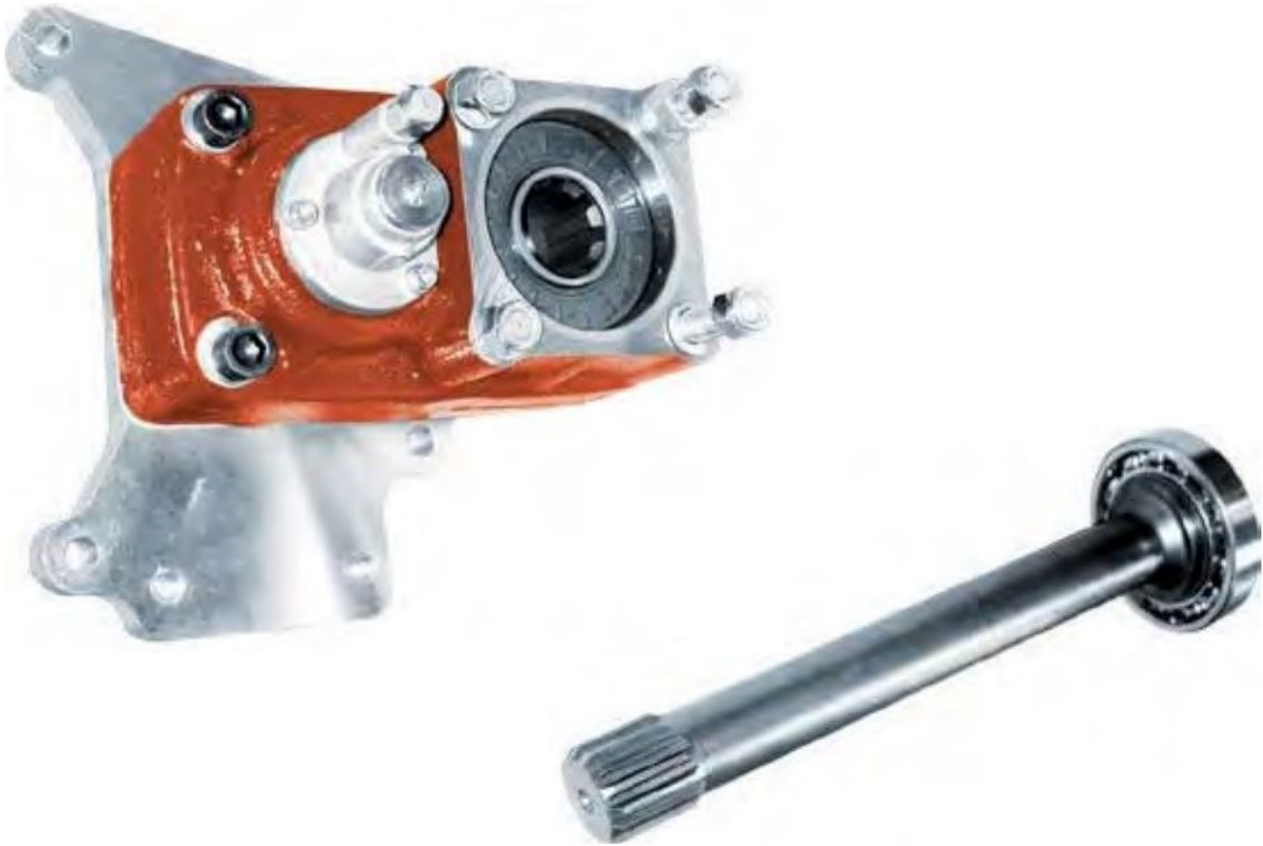


Technical Data Sheet



PB468 SERIES POWER TAKE-OFF

Product Features

Rear Mount PTO for ZF

The 468 series is designed for certain ZF transmissions with rear openings and an Intarder, it has an output ratio suitable for high torque in critical applications.

Continuing Hydreco Powauto's commitment to maximum torque density this PTO's design has higher specifications than most similar competing PTO's.

Suits:

ZF ASTRONIC Intarder transmissions.
(Refer to the eGuide Configurator on www.hydreco.com for confirmation and details)

- **Output Speed 115% of Engine Speed**
Provides extra torque for normal engine speeds.
- **Standard Outputs**
For flexibility in applications
- **Non Standard Rear Mount**
To provide extra torque output
- **Deep Groove Ball Bearings**
For longer life and higher performance.

POWAUTO

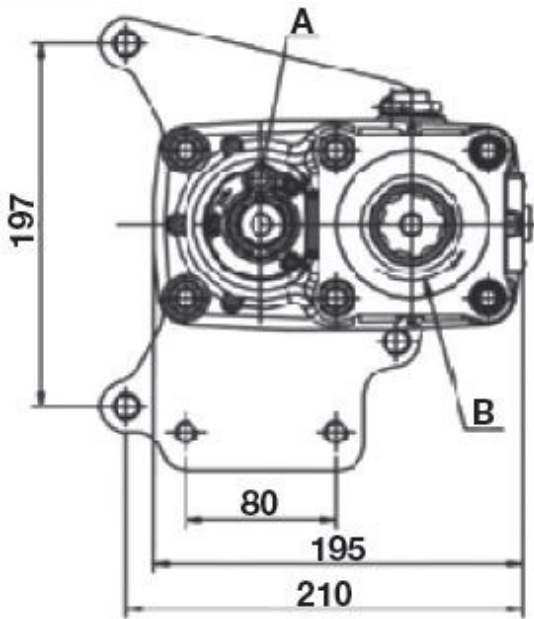
DAVID BROWN
HYDRAULICS

HYDRECO

HYDRECO
POWAUTO
HYDRAULIC SOLUTIONS PROVIDER

www.hydreco.com

Technical Data Sheet



PTO DESIGNATION CODES

468 Series

Identifier

PB = PTO Rear Mount

PTO Series

468

Engagement Type

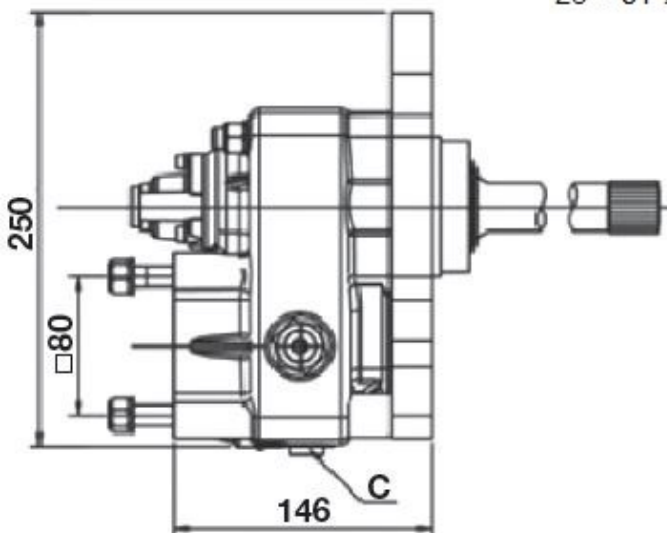
A = Air

Output Type

08 = 8T Powauto Hydraulic Spline

23 = 8T Ø36 DIN 5462 Spline - Female and DIN Mount

PB 468 A 23



| Technical Specifications | | |
|--------------------------|------------|----------------|
| Ratings | | |
| Torque | Nm / ft.lb | 600 / 443 |
| Power @ 500 rpm | kW / hp | 31.4 / 42.1 |
| Power @ 1000 rpm | kW / hp | 62.8 / 84.2 |
| Output Shaft Rotation | | Same as Engine |
| Approximate Bare Mass | kg / lb | 18 / 39.6 |
| Mounting Kit | | Included |

Note: For full details refer to the owners manual or the eGuide configurator found at www.hydreco.com/markets/transport

DISTRIBUTOR:

Doc: PB468—03/17

POWAUTO

DAVID BROWN
HYDRAULICS

HYDRECO

HYDRECO
POWAUTO
HYDRAULIC SOLUTIONS PROVIDER

www.hydreco.com