

## BFS1, FFS1

50 Hz

### Screw spindles

Pressure max.	2-pole motor rotation speed 2900 RPM							4-pole motor rotation speed 1450 RPM					
	Flow at viscosity		Power consumption at viscosity		Motor immersion version	Motor foot mounted version	Weight	Flow at viscosity		Power consumption at viscosity		Motor	Weight
	1 mm <sup>2</sup> /s	20 mm <sup>2</sup> /s	1 mm <sup>2</sup> /s	20 mm <sup>2</sup> /s				1 mm <sup>2</sup> /s	20 mm <sup>2</sup> /s	1 mm <sup>2</sup> /s	20 mm <sup>2</sup> /s		
Type / bar	l/min	l/min	kW	kW	kW	kW	kg	l/min	l/min	kW	kW	kW	kg
<b>BFS130/</b>	<b>Q<sub>Th</sub><sup>1)</sup> 15.6</b>		-	-	-	-	-	<b>Q<sub>Th</sub><sup>1)</sup> 7.8</b>		-	-	-	-
10	14	15	0.5	0.5	B 1.3	0.75	39	6.2	7.2	0.2	0.2	0.75	30
20	13.1	14.6	0.8	0.8	B 1.3	1.1	39	5.3	6.8	0.4	0.4	0.75	30
30	12.1	14.2	1.0	1.0	B 1.3	1.5	39	4.3	6.4	0.5	0.5	0.75	30
40	11.2	13.9	1.3	1.3	B 1.5	1.5	39	3.4	6.1	0.6	0.7	0.75	30
50	10.3	13.5	1.5	1.6	B 1.7	2.2	40	-	5.7	-	0.8	1.1	32
60	9.5	13.2	1.8	1.9	B 2.2	2.2	44	-	5.4	-	0.9	1.1	32
70	8.7	12.8	2.1	2.1	B 2.6	3.0	45	-	5	-	1.1	1.5	34
80	7.9	12.5	2.3	2.4	B 2.6	3.0	45	-	4.7	-	1.2	1.5	34
90	7.1	12.1	2.6	2.7	B 3.0	3.0	57	-	4.3	-	1.3	1.5	34
100	6.4	11.8	2.8	2.9	B 3.3	4.0	57	-	4	-	1.5	2.2	45
110	5.7	11.5	3.1	3.2	B 3.3	4.0	57	-	-	-	-	-	-
120	5	11.2	3.4	3.5	B 4.0	4.0	58	-	-	-	-	-	-
130	-	10.9	-	3.8	B 4.0	4.0	58	-	-	-	-	-	-
140	-	10.6	-	4.0	B 5.0	5.5	63	-	-	-	-	-	-
150	-	10.3	-	4.3	B 5.0	5.5	63	-	-	-	-	-	-
<b>BFS140/</b>	<b>Q<sub>Th</sub><sup>1)</sup> 20.9</b>		-	-	-	-	-	<b>Q<sub>Th</sub><sup>1)</sup> 10.5</b>		-	-	-	-
10	18.8	20.1	0.6	0.7	B 1.3	1.1	39	8.4	9.6	0.3	0.3	0.75	30
20	17.5	19.5	0.9	1.0	B 1.3	1.5	39	7.1	9.1	0.4	0.5	0.75	30
30	16.3	19	1.3	1.4	B 1.5	1.5	39	5.8	8.6	0.6	0.7	1.1	32
40	15.1	18.5	1.6	1.7	B 1.9	2.2	44	4.7	8.1	0.8	0.9	1.1	32
50	14	18	2.0	2.1	B 2.2	3.0	44	3.6	7.6	1.0	1.1	1.5	34
60	13	17.6	2.3	2.5	B 2.6	3.0	45	2.6	7.1	1.1	1.3	1.5	34
70	12	17.1	2.7	2.8	B 3.3	3.0	57	-	6.6	-	1.4	2.2	45
80	11.1	16.6	3.0	3.2	B 3.3	4.0	57	-	6.2	-	1.6	2.2	45
90	10.3	16.2	3.4	3.5	B 4.0	4.0	58	-	5.7	-	1.8	2.2	45
100	9.5	15.7	3.7	3.9	B 4.0	5.5	60	-	5.3	-	2.0	2.2	45
110	8.3	15.3	4.1	4.3	B 5.0	5.5	63	-	-	-	-	-	-
120	7.3	14.8	4.4	4.6	B 5.0	5.5	63	-	-	-	-	-	-
130	6.3	14.4	4.8	5.0	B 5.5	5.5	63	-	-	-	-	-	-
140	-	14	-	5.3	B 5.5	5.5	63	-	-	-	-	-	-
150	-	13.6	-	5.7	B 6.0	7.5	87	-	-	-	-	-	-

<sup>1)</sup> Q<sub>Th</sub>: Theoretical flow rate

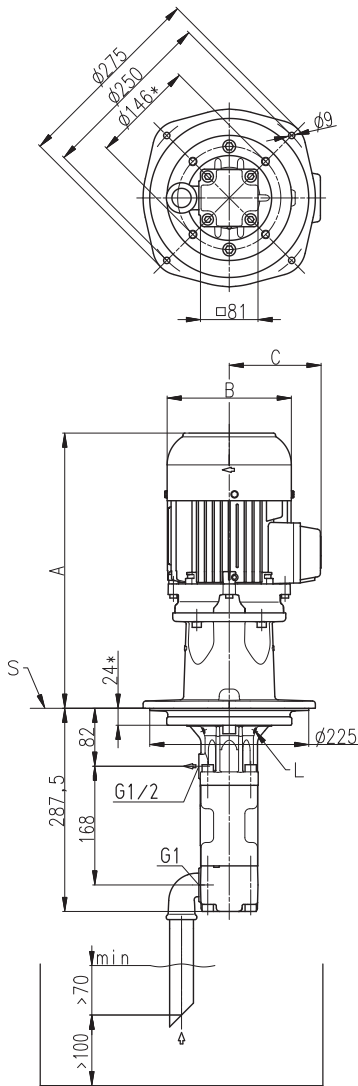
Higher pressures (up to 200 bar) upon request.

Viscosity > 20 mm<sup>2</sup>/s more power consumption.

# Characteristics and dimensions

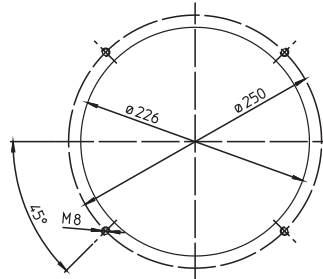
## BFS1, FFS1

50 Hz

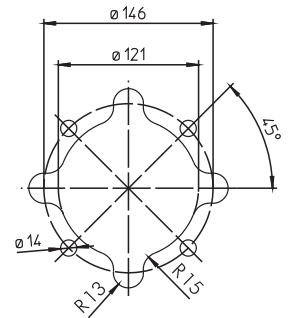


### Mounting hole patterns

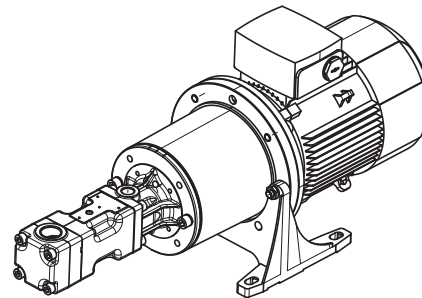
BFS1 / BFS2



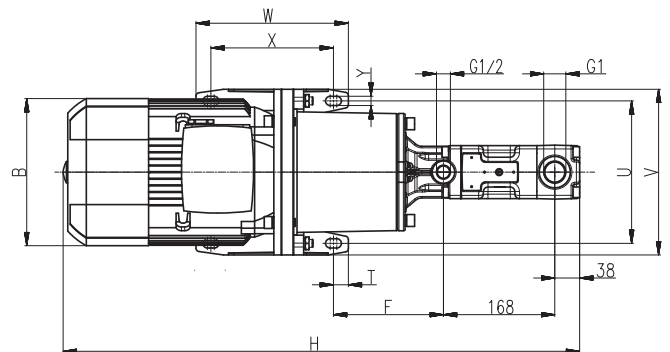
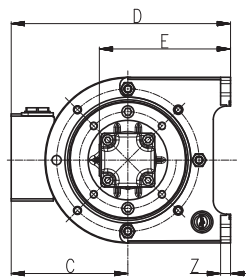
TFS1 / TFS2



All corners must be deburred!  
According to ISO 2768-m



\*) Dimensions for 4-pole standard motor upon request  
L = Leakage hole  
S = Mounting plate, please refer to the cut-out of mounting hole



Power 2-poles kW	A mm	B mm	C mm
B 1.3 / 1.5	415	176	130
B 1.7	441	176	130
B 1.9 / 2.2 / 2.6	474	176	130
B 3.0 / 3.3 / 4.0	513	218	150
B 5.0 / 5.5	543	218	150
B 6.0	584	258	193

Power 2-poles kW	Power 4-poles kW	B mm	C mm	D mm	E mm	F mm	H mm	T mm	U mm	V mm	W mm	X mm	Y mm	Z mm
0.75	-	159	121	233	155	138	676	15	180	210	90	60	11	12
-	0.75	159	121	233	155	138	751	15	180	210	90	60	11	12
1.1	-	159	121	233	155	138	711	15	180	210	90	60	11	12
1.5	1.1 / 1.5	178	126	238	155	138	721	15	180	210	90	60	11	12
2.2	-	178	126	238	155	138	761	15	180	210	90	60	11	12
3.0	2.2	198	166	321	198	166	821	22.5	215	250	230	185	14	15
4.0	-	222	177	332	198	166	805	22.5	215	250	230	185	14	15
5.5	-	262	202	387	228	171	857	22.5	265	300	270	225	14	18
7.5	-	262	202	387	228	171	907	22.5	265	300	270	225	14	18