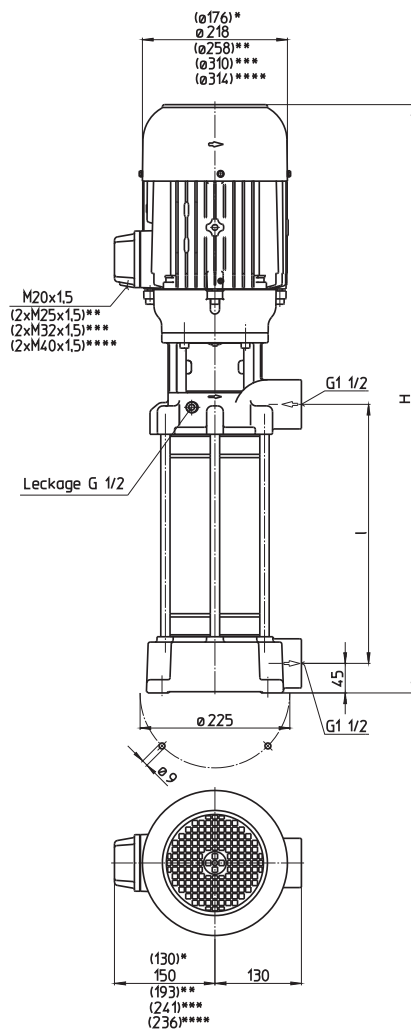


## FH17

50 Hz

Closed impellers

### FH1702...1717



- \*) Dimensions for FH1702
- \*\*) Dimensions for FH1706...1708
- \*\*\*) Dimensions for FH1709...1712
- \*\*\*\*) Dimensions for FH1713...1717

Type	Vol. del. at manom. del. head l/min / m	Height H mm	Length l mm	Weight kg	Power kW	Voltage 3~ V	Fre- quen- cy Hz	Current A	Speed 1/min
<b>FH1702A18</b>	300/24	702	212	48	2.2	220-240 380-415	50 50	7.8 4.5	2890 2890
<b>FH1703A28</b>	300/37	837	308	61	3.3	220-240 380-415	50 50	11.6 6.7	2930 2930
<b>FH1704A28</b>	300/51	867	308	67	5.0	220-240 380-415	50 50	17.3 10.0	2920 2920
<b>FH1705A38</b>	300/66	963	404	70	5.5	220-240 380-415	50 50	18.9 10.9	2915 2915
<b>FH1706A38</b>	300/77	1040	404	93	7.5	380-415	50	14.3	2950
<b>FH1707A47</b>	300/90	1136	500	103	9.0	380-415	50	16.7	2955
<b>FH1708A47</b>	300/103	1136	500	122					
<b>FH1709A57</b>	300/116	1240	596	130	11.0	380-415	50	20.1	2960
<b>FH1710A57</b>	300/130			132					
<b>FH1711A66</b>	300/143	1336	692	136	13.0	380-415	50	24.2	2960
<b>FH1712A66</b>	300/157			138					
<b>FH1713A76</b>	300/172	1737	788	156	15.0	400	50	27	2960
<b>FH1714A76</b>	300/186	1787	788	174	18.5	400	50	32	2955
<b>FH1715A90</b>	300/200	1930	932	176					
<b>FH1716A90</b>	300/212			178					
<b>FH1717A90</b>	300/227			183					

## Pressure Boosting Pumps

series TH and FH use **closed impellers** in order to minimize power consumption and to optimize hydraulic pump efficiencies.

In addition, the TH series offers high pressures at short immersion depths. Inline pumps of the series FH can be used as **boosting pumps** if provided with positive inlet pressure. This inlet pressure can be provided by the central coolant supply or a feed pump. In such a setup, pumps of the series FH can raise the incoming pressure by up to 26 bar.

A **frequency converter** can be supplied for **special applications** or for matching the pump characteristic to a specific duty point.

See page "Control/Regulation" in the Technical Information section of this catalog for further information.

## Applications

Types of fluid  
 Industry water  
 coolants  
 cooling/cutting oils  
 Kinematic viscosity  
 ...25 mm<sup>2</sup>/s (25 cSt)  
 Pumping temperature  
 0...80° C

## Construction

Pump body	cast iron
Cover	cast iron
Impellers	CrNi-steel
Shaft	CrNi-steel
Diffusers	CrNi-steel
Mechanical seal	SiC
O-rings	Viton

Noise level	
FH1702	63 dBA
FH1703...FH1705	71 dBA
FH1706...FH1712	74 dBA
FH1713...FH1717	78 dBA

