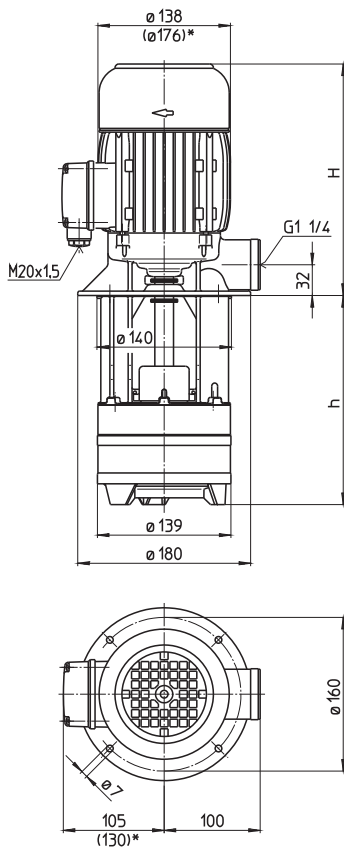


KTF151...303, KTB200

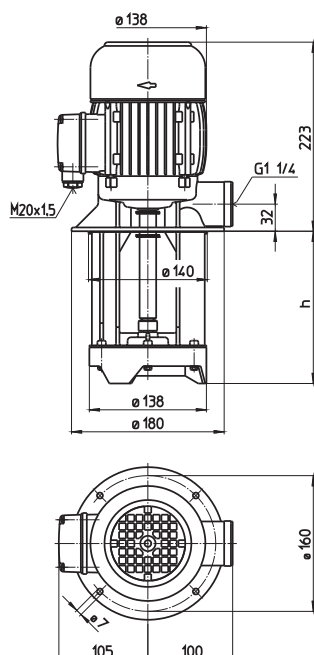
Semi-open impellers

KTF151...153 KTF301...303



Type	Vol. del. at manom. del. head l/min /m	Height H mm	Depth of immersion h mm	Weight kg	Power kW	Voltage 3~ V	Fre- quen- cy Hz	Current A	Speed 1/min
KTF151/140	100/10	223	140	7.2	0.53	220-240	50	2.25	2750
	220		220	7.5					
	290		290	8.0					
	370		370	8.2					
KTF152/180	100/20	291	180	10.5	1.1	220-240	50	4.33	2850
	260		260	11.0					
	330		330	11.5					
	410		410	12.0					
KTF153/220	100/32	346	220	20.5	1.7	220-240	50	6.24	2890
	300		300	21.0					
	370		370	21.5					
	450		450	22.0					
KTF301/140	180/10	291	140	10.0	1.1	220-240	50	4.33	2850
	220		220	10.5					
	290		290	11.0					
	370		370	11.5					
KTF302/180	180/20	346	180	20.0	1.7	220-240	50	6.24	2890
	260		260	20.5					
	330		330	21.0					
	410		410	21.5					
KTF303/220	180/33	378	220	25.0	2.6	220-240	50	9.30	2880
	300		300	25.5					
	370		370	26.0					
	450		450	26.5					
KTB200/120	210/2	223	120	6.5	0.55	220-240	50	2.50	2750
	200		200	7.0					
	270		270	7.5					
	350		350	8.5					

KTB200



*) Dimensions for KTF153, KTF302, 303

Immersion Pumps in Plastics

series KTF and KTB are suitable for various **water supply problems**. These pumps are also suitable for a wide range of **chemical liquids**. No shaft seal is required, due to the construction.

Applications

Types of fluid
Industry water; warm, cold, with and without chemical admixtures, distilled, de-ionized

Kinematic viscosity
...12 mm²/s (12 cSt)

Pumping temperature
-10...+60° C

Construction

Pump body	POM
Cover	PP
	POM (KTB200)
Impellers	PPS
	POM (KTB200)
Shaft	1.4104
Optional: Shaft	CrMo
Noise level	
KTF151...KTF152	60 dBA
KTF301	
KTB200	
KTF153	65 dBA
KTF302...KTF303	

