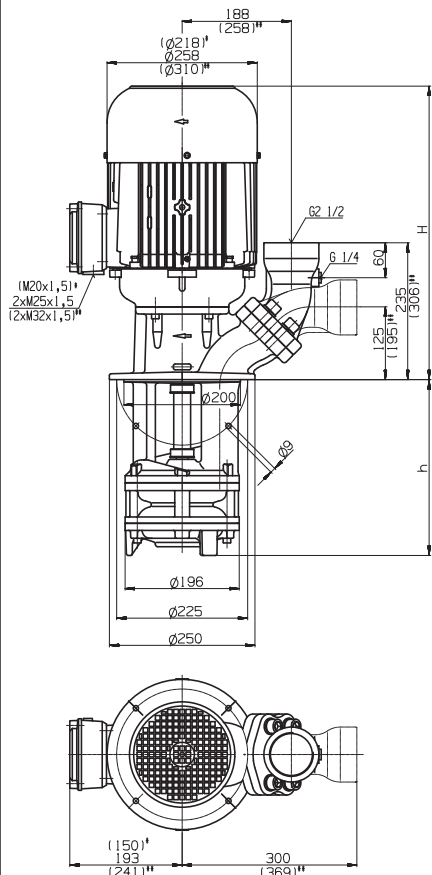


## STA901...904

### Semi-open impellers

#### STA901, 902 STA903, 904



\*) Dimensions for STA901  
\*\*) Dimensions for STA904

| Type              | Vol. del. at manom. del. head<br>l/min /m | Height<br>H mm | Depth of immersion<br>h mm | Weight<br>kg | Power<br>kW | Voltage<br>3~<br>V | Fre-<br>quen-<br>cy<br>Hz | Current<br>A | Speed<br>1/min |
|-------------------|---|----------------|----------------------------|--------------|-------------|--------------------|---------------------------|--------------|----------------|
| <b>STA901/200</b> | 600/12                                    | 503            | 200                        | 61           | 3.3         | 220-240            | 50                        | 11.6         | 2930           |
| <b>300</b>        |   |                | 300                        | 65           |             |                    |                           |              |                |
| <b>430</b>        |   |                | 430                        | 68           | 3.8         | 460                | 60                        | 6.4          | 3520           |
| <b>550</b>        |   |                | 550                        | 72           |             |                    |                           |              |                |
| <b>750</b>        |   |                | 750                        | 85           |             |                    |                           |              |                |
| <b>980</b>        |   |                | 980                        | 91           |             |                    |                           |              |                |
| <b>1100</b>       |   |                | 1100                       | 95           |             |                    |                           |              |                |
| <b>STA902/270</b> | 600/24                                    | 574            | 270                        | 98           | 6.0         | 380-415            | 50                        | 11.2         | 2950           |
| <b>370</b>        |   |                | 370                        | 102          | 6.9         | 460                | 60                        | 10.7         | 3550           |
| <b>500</b>        |   |                | 500                        | 105          |             |                    |                           |              |                |
| <b>620</b>        |   |                | 620                        | 108          |             |                    |                           |              |                |
| <b>820</b>        |   |                | 820                        | 121          |             |                    |                           |              |                |
| <b>1050</b>       |   |                | 1050                       | 127          |             |                    |                           |              |                |
| <b>1170</b>       |   |                | 1170                       | 133          |             |                    |                           |              |                |
| <b>STA903/340</b> | 600/38                                    | 612            | 340                        | 119          | 9.0         | 380-415            | 50                        | 16.7         | 2955           |
| <b>440</b>        |   |                | 440                        | 122          | 10.3        | 460                | 60                        | 15.8         | 3550           |
| <b>570</b>        |   |                | 570                        | 126          |             |                    |                           |              |                |
| <b>690</b>        |   |                | 690                        | 130          |             |                    |                           |              |                |
| <b>890</b>        |   |                | 890                        | 143          |             |                    |                           |              |                |
| <b>1120</b>       |   |                | 1120                       | 149          |             |                    |                           |              |                |
| <b>STA904/410</b> | 600/55                                    | 620            | 410                        | 150          | 11.0        | 380-415            | 50                        | 20.1         | 2960           |
| <b>510</b>        |   |                | 510                        | 153          | 12.6        | 460                | 60                        | 19.5         | 3560           |
| <b>640</b>        |   |                | 640                        | 157          |             |                    |                           |              |                |
| <b>760</b>        |   |                | 760                        | 161          |             |                    |                           |              |                |
| <b>960</b>        |   |                | 960                        | 176          |             |                    |                           |              |                |
| <b>1190</b>       |   |                | 1190                       | 180          |             |                    |                           |              |                |

### Immersion Pumps

are plain centrifugal pumps with the impeller fitted on the driving shaft extension. They are mounted on top of the container, the pump extension being immersed in the coolant.

The maximum coolant level must stay a few mm/inches below the mounting flange.

The STA serie offers a **flange** with pressure gauge connection port.

The flange can be rotated for either horizontal or vertical pipe connections.



All types are also available as quick-suctioning immersion pumps equipped with "BRINKMANN's Suction De-aeration System". See series SAL.

### Applications

Types of fluid  
coolants  
cooling/cutting oils  
Kinematic viscosity  
...45 mm<sup>2</sup>/s (45 cSt)  
Pumping temperature  
0...80° C  
higher temperatures upon request

### Construction

|                 |                     |
|-----------------|---------------------|
| Pump body       | cast iron           |
| Cover           | cast iron           |
| Impellers       | cast steel          |
| Shaft           | steel               |
| Optional:       |                     |
| Suction cover   | with threaded inlet |
| Other materials | on request          |
| Noise level     |                     |
| STA901          | 71 dBA              |
| STA902...STA904 | 74 dBA              |

