

# Technical Data Sheet



## ROUND SIDE OF CHASSIS HYDRAULIC OIL TANKS

Hydreco hydraulic tanks are available in a range of capacities and dimensions to suit the most common applications for today's industry.

Made from either Steel or Aluminium, the round side of chassis hydraulic tank is designed to mount to the side of the truck chassis.

Our tanks come complete ready to bolt on to your truck.

## Product Features

### All Tanks Come Complete With:

- **Brackets and Straps**  
Ease of mounting.
- **Breather**  
Maintain tank pressure to atmospheric.
- **Sight Glass**  
Allows easy check oil level and condition.
- **1 1/4" BSP Outlet Port**

POWAUTO

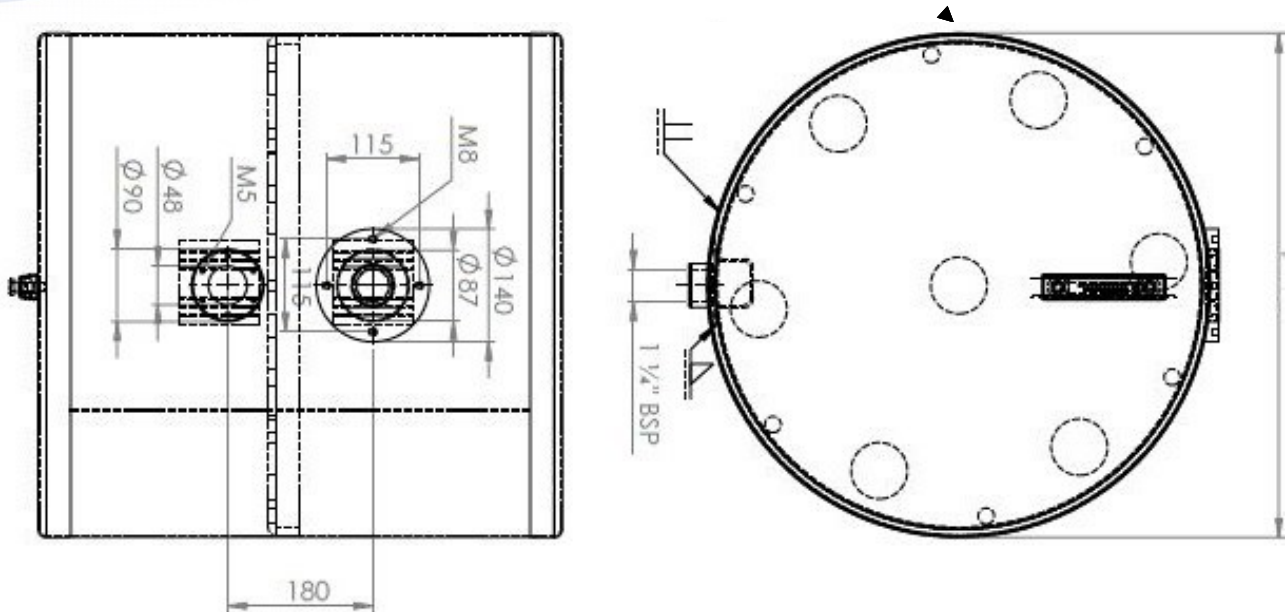
DAVID BROWN  
HYDRAULICS

HYDRECO

**HYDRECO**  
**POWAUTO**  
HYDRAULIC SOLUTIONS PROVIDER

[www.hydreco.com](http://www.hydreco.com)

# Technical Data Sheet



Part Number	Material	Dimensions		Ports		Working Capacity
		Diameter	Length	Outlet	Return	
TK4050RD60	Steel	400	500	R1 1/4"	G1"	60
TK5528RD60	Steel	550	285	R1 1/4"	G1"	60
TK5535RD80	Steel	550	350	R1 1/4"	G1"	80
TK5552RD120	Steel	550	525	R1 1/4"	G1"	120
TK5552RD120AL	Aluminium	550	525	R1 1/4"	G1"	120
TK5572RD170	Steel	550	720	R1 1/4"	G1"	170
TK6266RD200	Steel	624	660	R1 1/4"	G1"	200
TK6266RD200AL	Aluminium	624	660	R1 1/4"	G1"	200
TK6650RD170AL	Aluminium	660	500	R1 1/4"	G1"	170
TK6662RD200AL	Aluminium	660	620	R1 1/4"	G1"	200

DISTRIBUTOR:

Doc: TANK RD—02/17

POWAUTO

DAVID BROWN  
HYDRAULICS

HYDRECO

**HYDRECO**  
**POWAUTO**  
HYDRAULIC SOLUTIONS PROVIDER

[www.hydreco.com](http://www.hydreco.com)