

HYDRECO

HYDRAULIC SOLUTIONS PROVIDER

MFE2 HANDLE

MULTIFUNCTIONAL ERGONOMIC HANDLE



CANBUS VERSION AVAILABLE

MULTIFUNCTIONAL ERGONOMIC HANDLE 2

MFE2 Handle are part of the comprehensive range of David Brown Hydraulics product.

The handle is fully customizable with a wide range of digital and analog controls, to meet customer needs. MFE2 is ready for CANBUS applications, the electronic card is integrated inside the handle.

Safety functions can be managed with standard safety trigger switch or using the Safe-T Grip® system, with a capacitive sensor that allow to control safety function in comfortable way.

FEATURES

- Ergonomic design for comfortable usage
- Wide range of controls available
- Rugged construction for long operating life
- Spare parts available for maintenance
- Suitable for arm rest or console mounting
- Compatible with a wide range of product
- Stylish good looks suitable for modern cabs
- CANBUS interface available
- Safety Trigger or Safe-T Grip® available
- Optional electronic card inside for custom functions

Hydreco Hydraulics reserve the right to update the information and data contained in this catalogue at any time.

CONTROLS AVAILABLE*

Push Button type C

Protection: IP67
Rating: 5 Amps resistive @ 28VDC
Color available: Black, White, Blue, Yellow, Orange, Gray, Green, Red
Option available: Latched action with internal Led, momentary action with Internal Led
Mechanical life: 100000 cycles



Proportional Roller

Protection: IP68S
Supply voltage: 5 VDC
Output Voltage: 0.5-4.5 V with 2.5 V in neutral position
Options available: Spring return to center, frictioned, with lever, compact, PWM output
Mechanical life: 1000000 cycles



Rocker Switch

Protection: IP68S
Rating: 10 Amps resistive @ 28VDC
Colors available: Black, Red
Options available: Led, Latched or momentary action, 2 or 3 position
Mechanical life: 100000 cycles



Four Ways switch

Protection: IP68S
Rating: 1 Amp inductive, 10 mA resistive @ 28VDC
Electrical life: 100000 cycles



Signaling Led

Colors available: White, Red, yellow, Green, Blue
Supply voltage 12 or 24 VDC
Mounted on panel with support



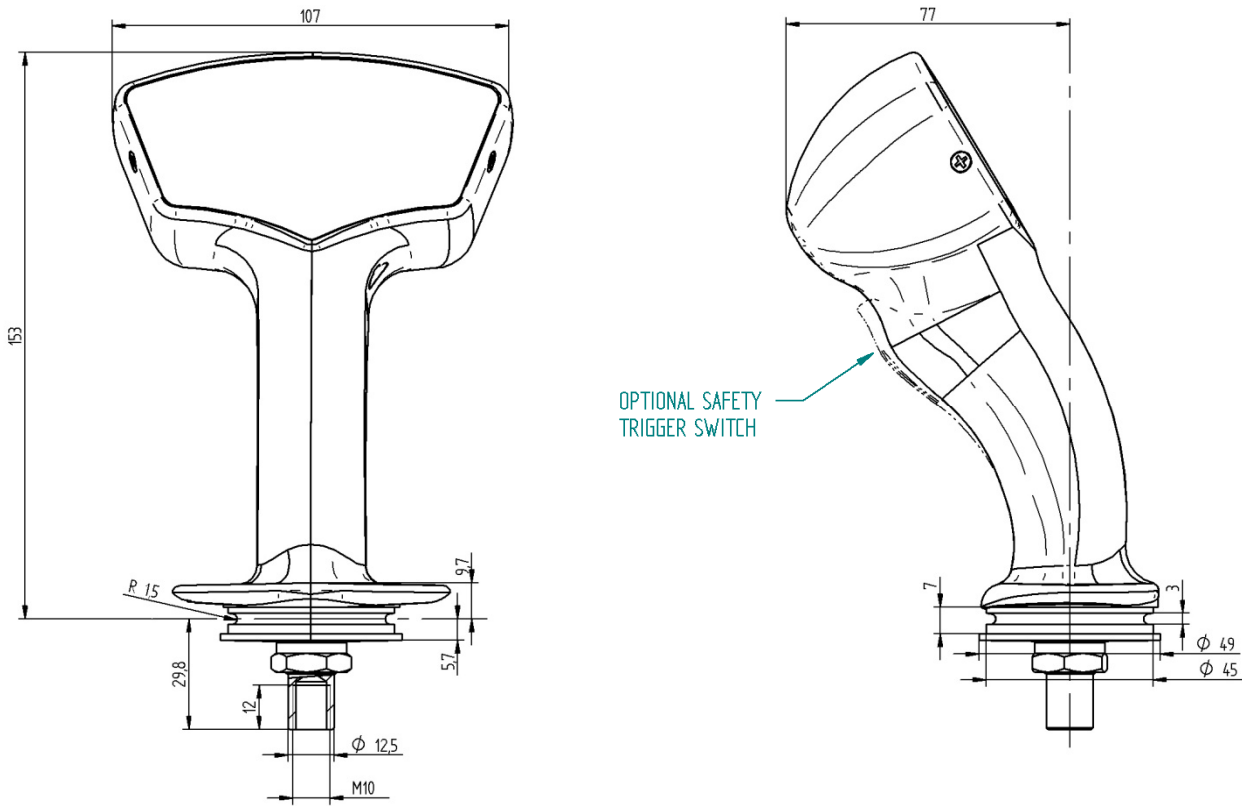
Four Ways proportional mini-joystick

Protection: IP68S
Linear hall effect sensors, 2 Axis
Supply voltage: 5 VDC
Output Voltage: 0.5-4.5 V with 2.5 V in neutral, for each axis
Mechanical life: 100000 cycles

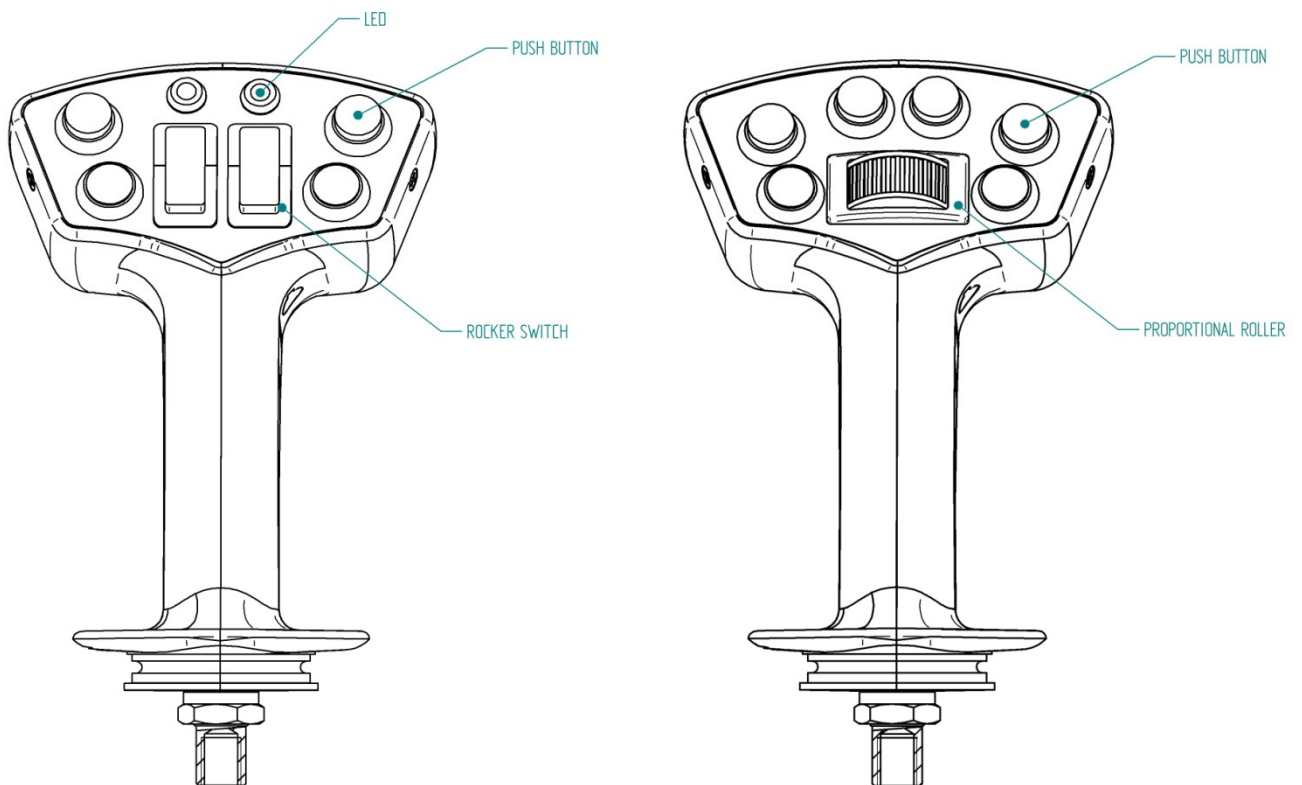


* Other controls available on request.

HANDLE DIMENSION



CONFIGURATION EXAMPLES



MFE2 - XX - XXX - X X **

Wiring termination

- 0** = flying leads
- 2** = with connector (to be specified on order)

Safety trigger

- X** = no safety trigger **T** = standard safety trigger
- TCAP** = capacitive safety trigger

Rocker switch or Roller in positions A ÷ L

- G R1** = R1 Rocker in position G (as example)
- First letter= position, other 2 letters: control type. Repeat if necessary.**
- RL=** Proportional Roller with lever; **RP=** Proportional roller without lever;
RF= Proportional roller frictioned without lever; **RC=** Proportional roller compact;
RW= Proportional roller with PWM output; **R1=** Latched rocker switch 3 position;
R2= Latched rocker switch 2 position; **R3=** Momentary rocker switch 3 position.

Push button/switch in positions 1 ÷ 9

For each control selected, insert position number and ID letter chosen on the following list. Note: #= color code. **Example:** For a push button blue in pos 2 and a minijoystick in pos 5, type **2B 5J**

- | | |
|-------------------------------------|---------------------------------------|
| X = no button switch | Y = yellow push button |
| B = blue push button | A = gray push button |
| K = black push button | R = red push button |
| G = green push button | W = white push button |
| O = orange push button | L# = signalling led |
| #L = latched button with led | #M = momentary button with led |
| D = four ways switch | J = four ways proportional |

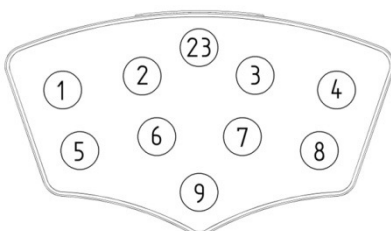
MFE2 = Multifunction Ergonomic Handle

Example order code: **MFE2-1B4GL5R8D-ERP-T0**

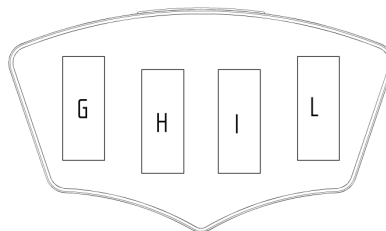
** For special configuration, please contact us

POSITIONS FOR CONTROLS

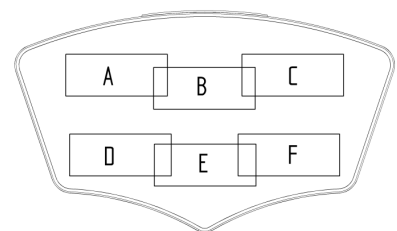
Standard positions for push button, led, four ways switch and prop. mini joystick

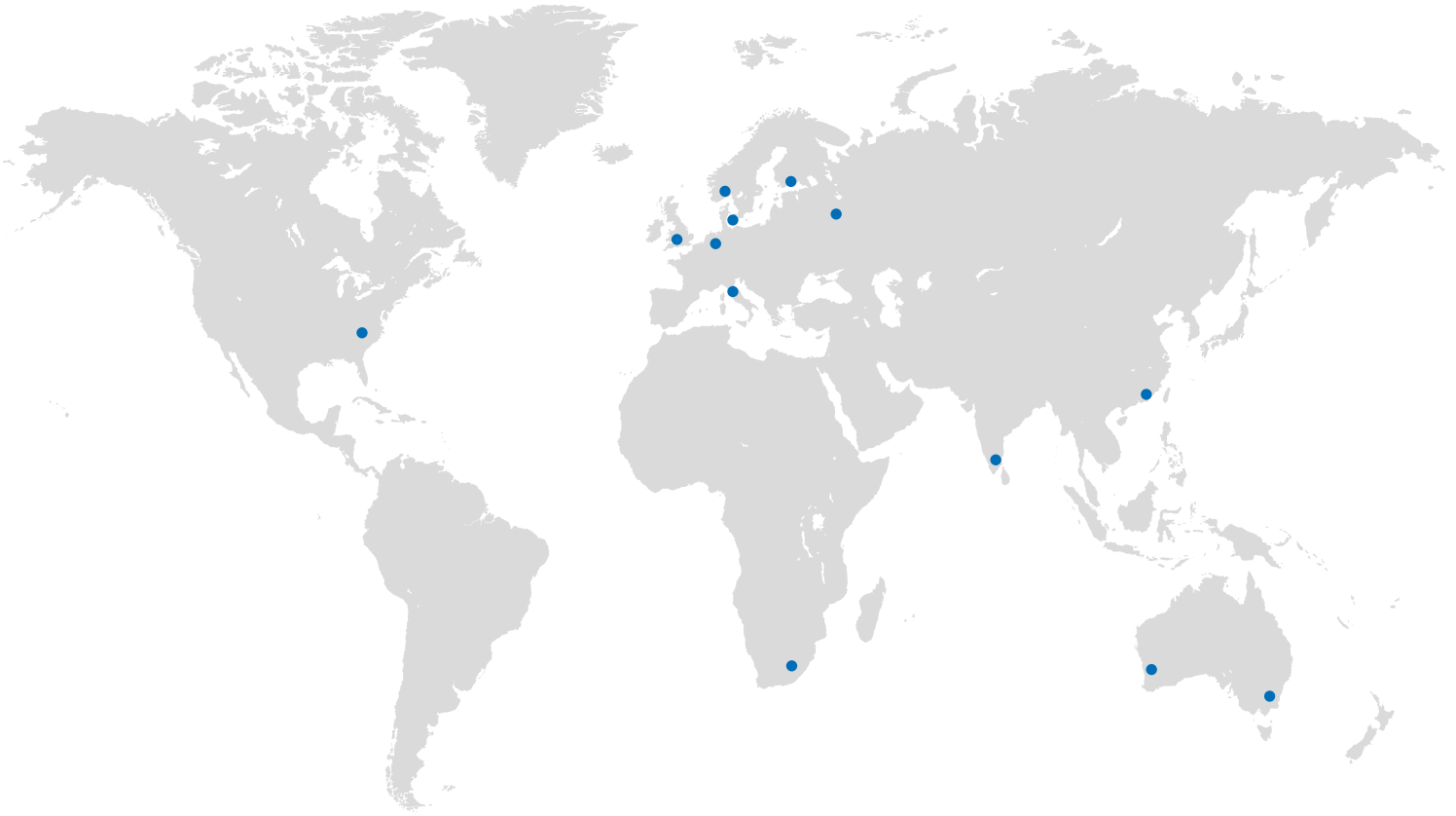


Standard positions for rocker and proportional roller, vertical mounted



Standard positions for rocker and proportional roller, horizontal mounted





CONTACT INFORMATION

EMEA				
DENMARK	Hydreco Hydraulics Denmark A/S, Kastrup (Copenhagen)	Tel: +45 32 51 40 15	Fax: +45 32 51 20 22	info-dk@hydreco.com
FINLAND	Hydreco Hydraulics Finland Oy, Helsinki	Tel: +358 9 342 4120	Fax: +358 9 342 41236	sales-fi@hydreco.com
GERMANY	Hydreco Hydraulics GmbH, Straelen (NRW)	Tel: +49 2834 94303-41	Fax: +49 2834 94303-64	info-de@hydreco.com
ITALY	Hydreco Hydraulics Italia Srl, Vignola (MO)	Tel: +39 059-7700411	Fax: +39 059-7700425	sales-it@hydreco.com
NORWAY	Hydreco Hydraulics Norway AS, Skjetten	Tel: +47 22 90 94 10	Fax: -	post-no@hydreco.com
RUSSIA	Hydreco Hydraulics Russia, Moscow	Tel: +7 495 967 3453	Fax: +7 495 785 0636	sales-ru@hydreco.com
UK	Hydreco Hydraulics Ltd, Poole, Dorset	Tel: +44 (0) 1202 627500	Fax: +44 (0) 1202 627555	info-uk@hydreco.com
AMERICAS				
USA	Hydreco Inc, Charlotte (NC)	Tel: +1 704 295-7575	Fax: +1 704 295-7574	sales-us@hydreco.com
LATIN AMERICA		Tel: +1 704 572-6266		sales-es@hydreco.com
APAC				
AUSTRALIA	Hydreco Hydraulics Pty Ltd, Seven Hills (NSW)	Tel: +61 2 9838 6800	Fax: +61 2 9838 6899	sales-au@hydreco.com
AUSTRALIA	Hydreco Hydraulics Pty Ltd, Narellan (NSW)	Tel: +61 246 476 577	Fax: -	sales-au@hydreco.com
AUSTRALIA	Hydreco Hoist & Winch Sales (WA) Pty Ltd, Bassendean (WA)	Tel: +61 8 9377 2211	Fax: +61 8 9377 2223	sales-au@hydreco.com
CHINA	Hydreco Hydraulics (Xiamen) Co. Ltd, Xiamen, (Fujian)	Tel: +86 0592 2237 901	Fax: +86 0592 2237 052	sales-cn@hydreco.com
INDIA	Hydreco Hydraulics India Private Ltd, Bangalore	Tel: +91 80 42713100	Fax: +91 80 42713111	sales-in@hydreco.com