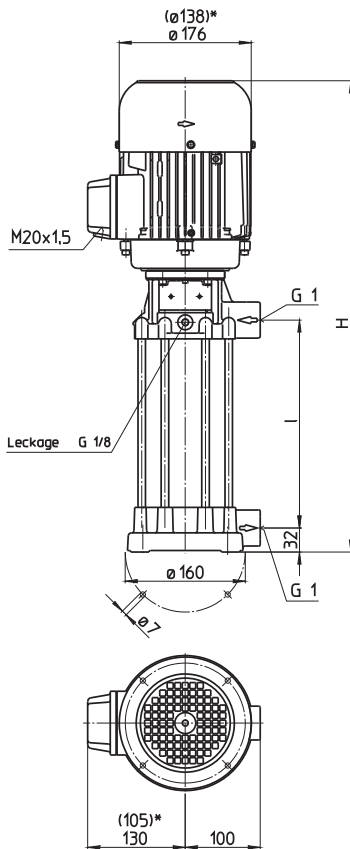


FH2

50 Hz

Closed impellers

FH203...240



*) Dimensions for FH203...FH222

Type	Vol. del. at manom. del. head l/min /m	Height H mm	Length l mm	Weight kg	Power kW	Voltage 3~ V	Fre- quen- cy Hz	Current A	Speed 1/min
FH203A19	20/15	488	197	16.9	0.45	220-240	50	1.9	2800
FH204A19	20/20			17.0					
FH205A19	20/25			17.1					
FH206A29	20/30	588	297	17.6	0.54	220-240	50	2.42	2800
FH207A29	20/35			17.7					
FH208A29	20/40	588	297	19.0					
FH209A29	20/45			19.5	0.75	220-240	50	3.24	2850
FH210A29	20/50			19.7					
FH211A39	20/56	688	397	20.4					
FH212A39	20/60	729	397	22.9	0.92	220-240	50	3.8	2840
FH213A39	20/68			23.0					
FH214A39	20/75			23.1					
FH215A39	20/82	729	397	23.5	1.1	220-240	50	4.33	2850
FH216A49	20/88	829	497	24.1					
FH217A49	20/93			24.2					
FH218A49	20/98			24.3	1.3	220-240	50	4.85	2900
FH219A49	20/102	856	497	28.1					
FH220A49	20/108			28.2					
FH221A59	20/112	956	597	28.8	1.5	220-240	50	5.5	2880
FH222A59	20/118			28.9					
FH223A59	20/125	978	597	34.8					
FH224A59	20/130			34.9	1.7	220-240	50	6.24	2890
FH225A59	20/135			35.0					
FH226A69	20/142	1078	697	35.9					
FH227A69	20/150			36.0	1.9	220-240	50	6.84	2900
FH228A69	20/155			36.1					
FH229A69	20/160	1104	697	38.9					
FH230A69	20/166			39.0	2.2	220-240	50	7.8	2890
FH231A79	20/172	1204	797	39.5					
FH232A79	20/178			39.6					
FH233A79	20/182			39.8	0.45	380-420	50	1.1	2800
FH234A79	20/190	1236	797	44.1					
FH235A79	20/195			44.2					
FH236A89	20/200	1336	897	44.8	0.54	380-420	50	1.40	2800
FH237A89	20/205	1336	897	46.7					
FH238A89	20/210			46.8					
FH239A89	20/215			46.9	0.75	380-415	50	1.87	2850
FH240A89	20/220			47.0					

Pressure Boosting Pumps

series TH and FH use **closed impellers** in order to minimize power consumption and to optimize hydraulic pump efficiencies.

In addition, the TH series offers high pressures at short immersion depths. Inline pumps of the series FH can be used as **boosting pumps** if provided with positive inlet pressure. This inlet pressure can be provided by the central coolant supply or a feed pump. In such a setup, pumps of the series FH can raise the incoming pressure by up to 26 bar.

A **frequency converter** can be supplied for **special applications** or for matching the pump characteristic to a specific duty point.

See page "Control/Regulation" in the Technical Information section of this catalog for further information.



Applications

Types of fluid
 Industry water
 coolants
 cooling/cutting oils
 Kinematic viscosity
 1 mm²/s (1 cSt)
 higher viscosity upon request
 Pumping temperature
 0...80° C

Construction

Pump body	cast iron
Cover	cast iron
Impellers	CrNi-steel
Shaft	CrNi-steel
Diffusers	CrNi-steel
Mechanical seal	SiC
O-rings	Viton
Optional:	
Pump body	bronze
Cover	bronze

Noise level	
FH203...FH222	58 dBA
FH223...FH240	63 dBA

