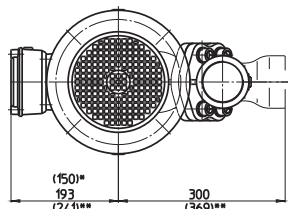
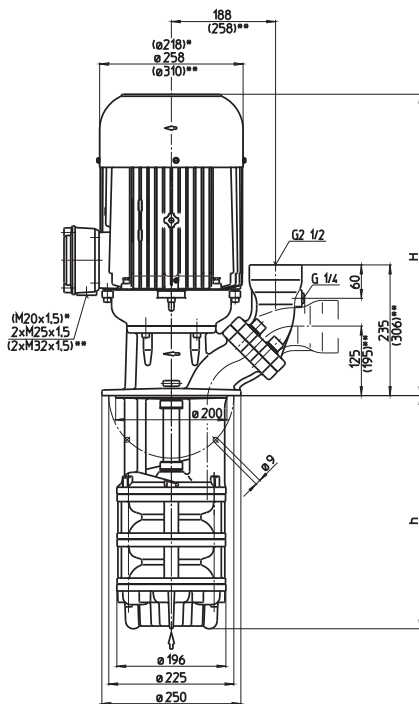


Quick Suctioning Immersion Pumps

SAL1301...1303

Axial/semi-open impellers

SAL1301, 1302 SAL1303



*) Dimensions for SAL1301
**) Dimensions for SAL1303

Type	Vol. del. at manom. del. head l/min / m	Height H mm	Depth of im- mersion h mm	Weight kg	Power kW	Voltage 3 ~ V	Fre- quen- cy Hz	Current A	Speed 1/min
SAL1301/230	900/11	533	230	69	5.0	220-240	50	17.3	2920
	330		330	72					
	460		460	76	5.75	460	60	9.5	3520
	580		580	81					
	780		780	91					
	1010		1010	98					
1130		1130	101						
SAL1302/310	900/25	612	310	108	7.5	380-415	50	14.3	2950
	410		410	110	8.6	460	60	13.7	3550
	540		540	113					
	660		660	118					
	860		860	130					
	1090		1090	138					
SAL1303/390	900/39	620	390	143	11.0	380-415	50	20.1	2960
	490		490	147	12.6	460	60	19.5	3560
	620		620	151					
	740		740	155					
	940		940	167					
	1170		1170	174					

Quick Suctioning Immersion Pumps

equipped with the patented "BRINKMANN's Suction De-aeration System" are excellently suited to pumping **extremely air entrained fluids** (emulsions resp. cooling/cutting oils) as they occur in heavy cutting when turning, milling or grinding.

The quick suctioning immersion pumps reach stable working conditions as soon as the liquid level reaches the suction inlet.

The SAL serie offers a **flange** with pressure gauge connection port.

The flange can be rotated for either horizontal or vertical pipe connections.

Applications

Types of fluid
coolants
cooling/cutting oils
Kinematic viscosity
...45 mm²/s (45 cSt)
Pumping temperature
0...80° C

Construction

Pump body	cast iron
Cover	cast iron
Impeller axial	cast steel
Impeller radial	cast steel
Shaft	steel

