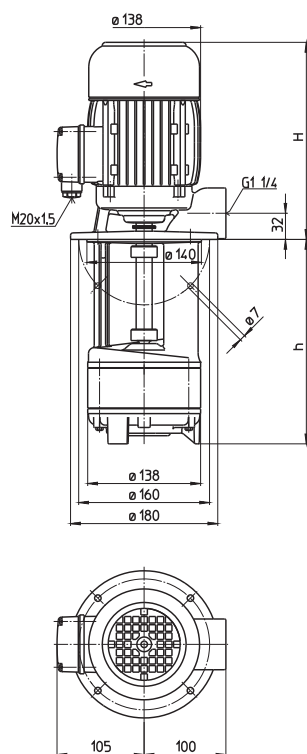


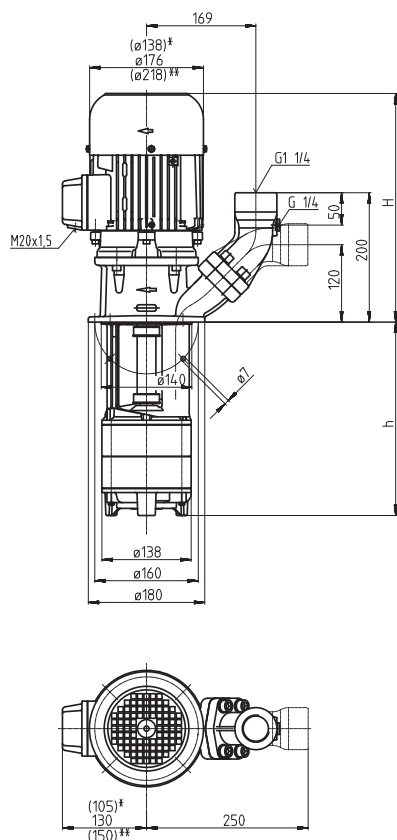
# Immersion Pumps TA/STA301...306

## Semi-open impellers

### TA302



### STA301...306



\*) Dimensions for STA301, 302  
\*\*) Dimensions for STA306

Type	Vol. del. at manom. del. head l/min / m	Height H mm	Depth of im- mersion h mm	Weight kg	Power kW	Voltage 3~ V	Fre- quen- cy Hz	Current A	Speed 1/min
<b>TA302/170</b>	160/12	291	170	18	1.1	220-240	50	4.33	2850
<b>250</b>			250	19					
<b>320</b>			320	20					
<b>400</b>			400	21	1.27	460	60	2.4	3440
<b>490</b>			490	22					
<b>600</b>			600	24					
<b>STA301/120</b>	160/7	293	120	19.5	0.54	220-240	50	2.42	2800
<b>200</b>			200	20.5					
<b>270</b>			270	21.5					
<b>350</b>			350	22.5	1.27	460	60	1.40	3300
<b>440</b>			440	24.0					
<b>550</b>			550	25.5					
<b>STA302/170</b>	160/12	361	170	26	1.1	220-240	50	4.33	2850
<b>250</b>			250	27					
<b>320</b>			320	28					
<b>400</b>			400	29	1.27	460	60	2.4	3440
<b>490</b>			490	31					
<b>600</b>			600	33					
<b>STA303/220</b>	160/18	380	220	36	1.5	220-240	50	5.5	2880
<b>300</b>			300	37					
<b>370</b>			370	38					
<b>450</b>			450	39	1.75	460	60	3.1	3470
<b>540</b>			540	40					
<b>650</b>			650	42					
<b>850</b>			850	48	2.18	460	60	3.9	3500
<b>1000</b>			1000	50					
<b>STA304/270</b>	160/24	439	270	45					
<b>350</b>			350	46	1.9	220-240	50	6.84	2900
<b>420</b>			420	47					
<b>500</b>			500	49					
<b>590</b>			590	50	2.18	460	60	3.9	3500
<b>700</b>			700	52					
<b>900</b>			900	58					
<b>1050</b>			1050	60	2.6	220-240	50	9.30	2880
<b>STA305/320</b>	160/29	439	320	50					
<b>400</b>			400	51					
<b>470</b>			470	52	2.94	460	60	5.1	3480
<b>550</b>			550	53					
<b>640</b>			640	54					
<b>750</b>			750	56	3.3	220-240	50	11.6	2930
<b>950</b>			950	63					
<b>1100</b>			1100	65					
<b>STA306/370</b>	160/37	478	370	63	3.8	460	60	6.4	3520
<b>450</b>			450	64					
<b>520</b>			520	65					
<b>600</b>			600	66	3.8	460	60	6.4	3520
<b>690</b>			690	67					
<b>800</b>			800	69					
<b>1000</b>			1000	76					

### Immersion Pumps

are plain centrifugal pumps with the impeller fitted on the driving shaft extension. They are mounted on top of the container, the pump extension being immersed in the coolant.

The maximum coolant level must stay a few mm/inches below the mounting flange.

The STA serie offers a **(SAE) flange** with pressure gauge connection port.

The flange can be rotated for either horizontal or vertical pipe connections.



All types are also available as quick-suctioning immersion pumps equipped with "BRINKMANN's Suction De-aeration System". See series TAL/SAL.



All types are also available as suction immersion pump with a connection to the vacuum filters on the suction side. See series STS.

### Applications

Types of fluid  
coolants  
cooling/cutting oils  
Kinematic viscosity  
...45 mm<sup>2</sup>/s (45 cSt)  
Pumping temperature  
0...80° C  
0...60° C (TA302)  
higher temperatures upon request

### Construction

Pump body	cast iron
Cover	cast iron POM (TA302)
Impellers	brass POM (TA302)
Shaft	steel
Optional:	
Suction cover	with threaded inlet
Impeller	cast steel
Other materials	on request

### Noise level

TA302...STA302	60 dBA
STA303...STA305	66 dBA
STA306	71 dBA

