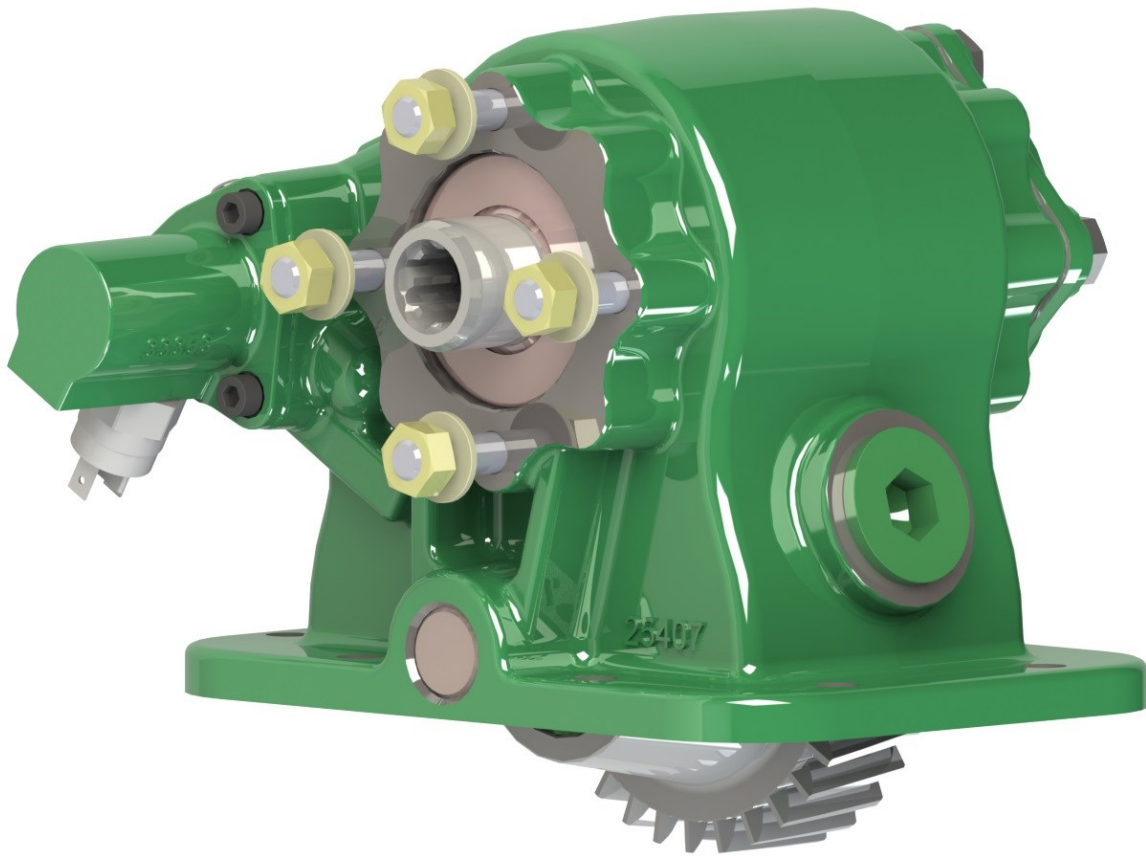


Technical Data Sheet



PA858 SERIES POWER TAKE-OFF

Product Features

8 Bolt Single Gear Side Mounted Power Take-Off

The 858 series is a single reduction PTO designed for Isuzu MZX6P transmissions with an 8 bolt opening.

Continuing Hydreco Powauto's commitment to maximum torque output, this PTO achieves superior strength with minimum size and is economically priced.

Suits:

Isuzu MZX6P manual & AMT transmissions.
(Refer to the eGuide Configurator on www.hydreco.com for confirmation and details)

- **Output Speed 93.8% of Engine Speed**
For maximum torque output for pump operation.
- **Air Shift Operated**
For ease of engagement.
- **Large Range of Outputs**
To allow close coupling or remote mounting of the pump.
- **Tapered Roller Bearings**
For higher torque capacity.

POWAUTO

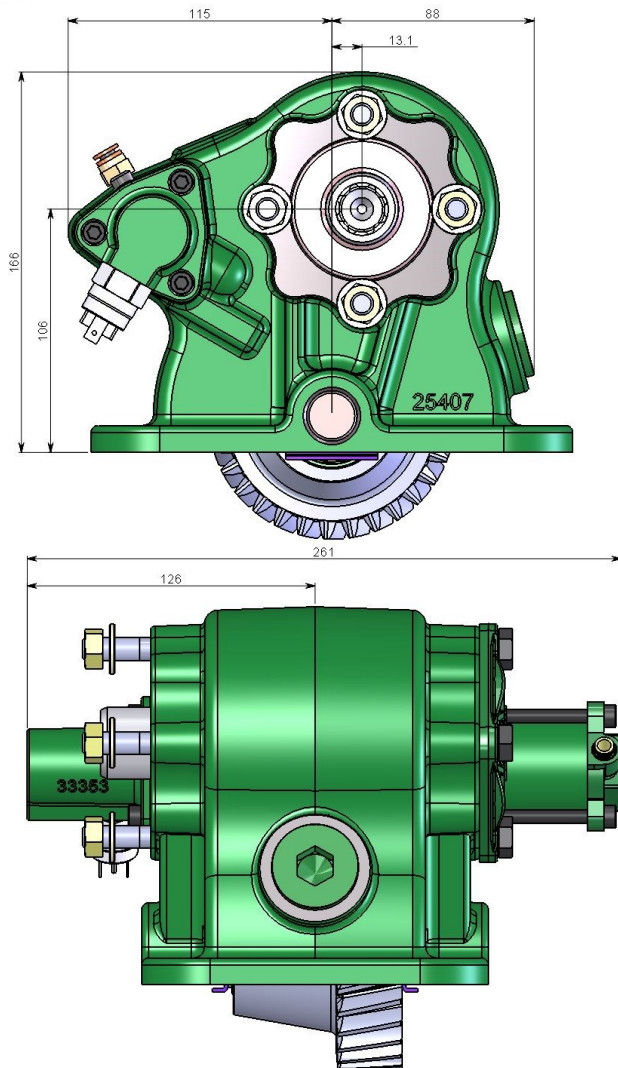
DAVID BROWN
HYDRAULICS

HYDRECO

HYDRECO
POWAUTO
HYDRAULIC SOLUTIONS PROVIDER

www.hydreco.com

Technical Data Sheet



PTO DESIGNATION CODES

858 Series

PA 858 KP L21 K 08 *

Identifier

PA = PTO Side Mount

PTO Series

858

Gear Type

KP

Build

L = Left side of transmission
 2 = Selector to bottom / Bias to top
 1 = Centre to front
 (Position of gear in transmission)

Engagement Type

K = Air - Pull to engage

Output Type

08 = 8T Powauto Hydraulic Spline
 09 = 14T 12/24 30° Spline + 35 x 60 Flange
 10 = 14T 12/24 30° Spline + 1310 Flange
 11 = 14T 12/24 30° Spline + 1410 Flange
 25 = 9T SAE A Hydraulic Spline + SAE A Pump Mount
 Other outputs available on request, subject to MOQ.

Manufacturers Code

A = With Pressure Switch
 B = With Mounting Kit
 C = With Mounting Kit & PTO Control Kit

Technical Specifications		
Ratings & Service Parts		
Torque	Nm / ft.lb	250 / 185 *
Power @ 500 rpm	kW / hp	12.3 / 16.5
Power @ 1000 rpm	kW / hp	24.6 / 33.0
Output Shaft Rotation		Opposite to Engine
Approximate Bare Mass	kg / lb	14.5 / 31.9
Mounting Kit		MK1064A
Mounting Gasket Kit		GK020
Seal Kit		SK080
Bearing Kit		BK080

* Limited by transmission.

Note: For full details refer to the owners manual or the eGuide configurator found at www.hydreco.com/markets/transport

DISTRIBUTOR:

Doc: PA858—03/17

www.hydreco.com

POWAUTO

DAVID BROWN
HYDRAULICS

HYDRECO

HYDRECO
POWAUTO
 HYDRAULIC SOLUTIONS PROVIDER