

# Technical Data Sheet



## PA412 SERIES POWER TAKE-OFF

## Product Features

### Deep Reach High Torque 8 Bolt Side Mounted PTO

The 412 series is designed for the left opening of certain Hino transmissions with an 8 bolt opening. It is a heavy duty deep reach design.

#### Suits:

Hino LX06S transmissions.  
(Refer to the eGuide Configurator on [www.hydreco.com](http://www.hydreco.com) for confirmation and details)

- **Output Speeds 65.3 to 87.6% of Engine Speed (Transmission Dependant)**  
For very high torque at the output.
- **Wide Variety of Outputs**  
To suit many vehicle configurations.
- **Constant Mesh Gears**  
For longer life.
- **Heavy Duty Tapered Roller Bearings**  
For long life and better support for the idler gear.

POWAUTO

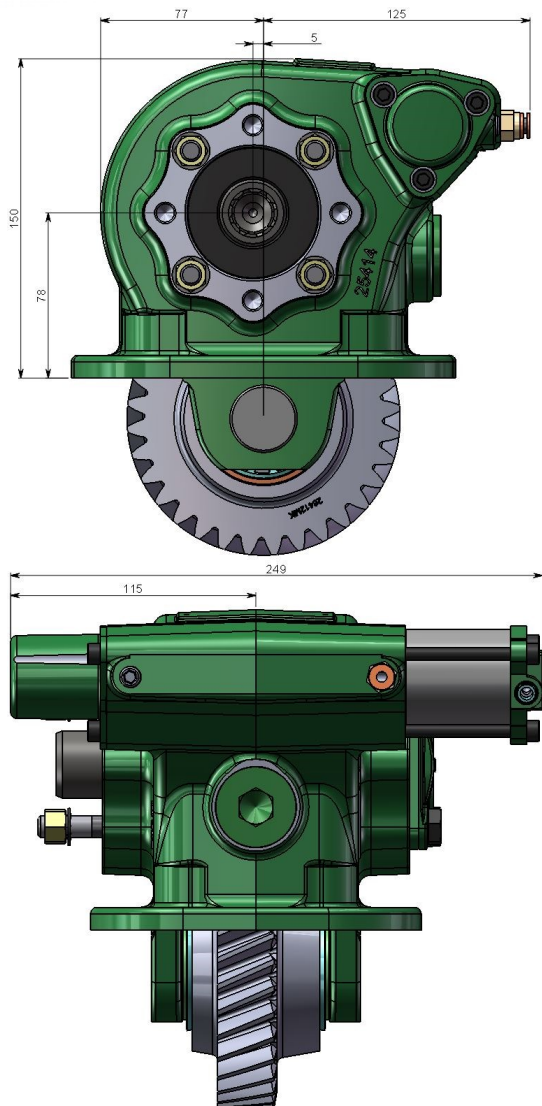
DAVID BROWN  
HYDRAULICS

HYDRECO

**HYDRECO**  
**POWAUTO**  
HYDRAULIC SOLUTIONS PROVIDER

[www.hydreco.com](http://www.hydreco.com)

# Technical Data Sheet



## PTO DESIGNATION CODES

### 412 Series

PA 412 MK L23 A 08 \*

#### Identifier

PA = PTO Side Mount

#### PTO Series

412

#### Gear Type

MK

#### Build

L = Left side of transmission  
 2 = Selector to bottom / Bias to top  
 3 = Front to centre  
 (Position of gear in transmission)

#### Engagement Type

A = Air

#### Output Type

08 = 8T Powauto Hydraulic Spline  
 09 = 14T 12/24 30° Spline + 35 x 60 Flange  
 10 = 14T 12/24 30° Spline + 1310 Flange  
 11 = 14T 12/24 30° Spline + 1410 Flange  
 13 = 13T SAE B Hydraulic Spline + SAE B Pump Mount  
 23 = 8T Ø36 DIN 5462 Spline - Female and DIN Mount  
 41 = 3B UNI Pump Mount  
 Other outputs available on request, subject to MOQ.

#### Manufacturers Code

A = With Pressure Switch  
 B = With Mounting Kit  
 C = With Mounting Kit & PTO Control Kit

Technical Specifications		
Ratings & Service Parts		
Torque	Nm / ft.lb	355 / 261
Power @ 500 rpm	kW / hp	18.5 / 24.8
Power @ 1000 rpm	kW / hp	37.0 / 49.7
Output Shaft Rotation		Opposite To Engine
Approximate Bare Mass	kg / lb	15.0 / 33.0
Mounting Kit		MK1167
Mounting Gasket Kit		GK017
Seal Kit		SK065A
Bearing Kit		BK065A

**Note:** For full details refer to the owners manual or the eGuide configurator found at [www.hydreco.com/markets/transport](http://www.hydreco.com/markets/transport)

**DISTRIBUTOR:**

Doc: PA412—03/17

[www.hydreco.com](http://www.hydreco.com)

POWAUTO

DAVID BROWN  
HYDRAULICS

HYDRECO

**HYDRECO**  
**POWAUTO**  
 HYDRAULIC SOLUTIONS PROVIDER