

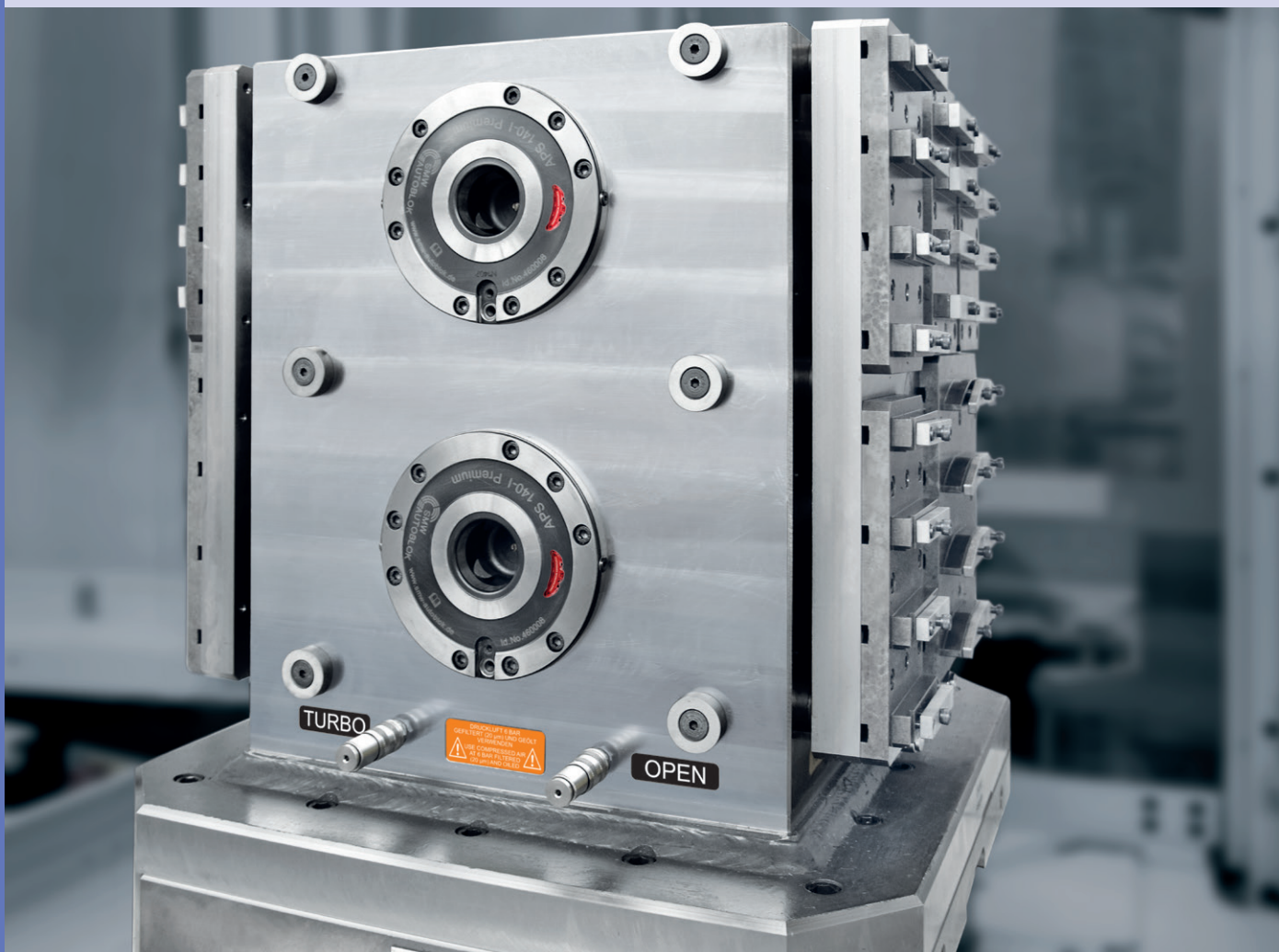


Customized Tombstones - shortest delivery times

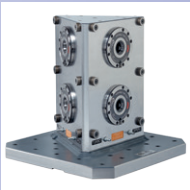
The intelligently designed modular system of the **RT tombstones** offers an extended product range with the shortest possible delivery times. The tombstones can also be individually equipped with a wide variety of stationary clamping systems and delivered ready for operation. Suitable geometries offer optimum accessibility to the machine spindle with the highest accuracy and precision.

The **RT tombstones** are available in steel (hardened steel if required), cast iron or aluminium version and offer maximum rigidity and excellent vibration damping. The clamping areas are pre-milled, fine milled or provided with a grid bore holes, depending on the customer's requirements. In addition to the extensive catalogue, special sizes with short delivery times are also available upon request.

The **RT tombstones** are suitable for standard machines according to DIN 55201 or JIS 6337-1980.



Tombstones



Page

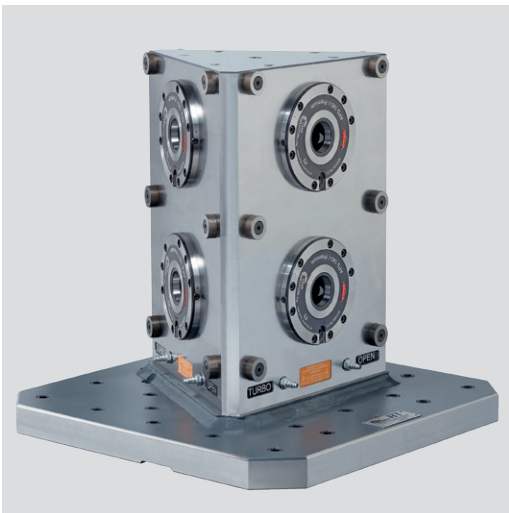
144

RT

Tombstones, Angle plates, Plates and Subplates

- Modular system: wide range of standard products and shortest delivery times
- Highest stiffness and anti-vibration design
- Best accessibility of the machine spindle to the workpiece
- Highest accuracy and precision

- Modular system
- Highest accuracy and precision



Application/customer benefits

- Modular system: wide range of standard products and shortest delivery times
- Highest stiffness and anti-vibration design
- Optimal accessibility of the machine spindle to the workpiece
- Highest accuracy and precision
- High quality thread insert bushes used for grid versions

Technical features

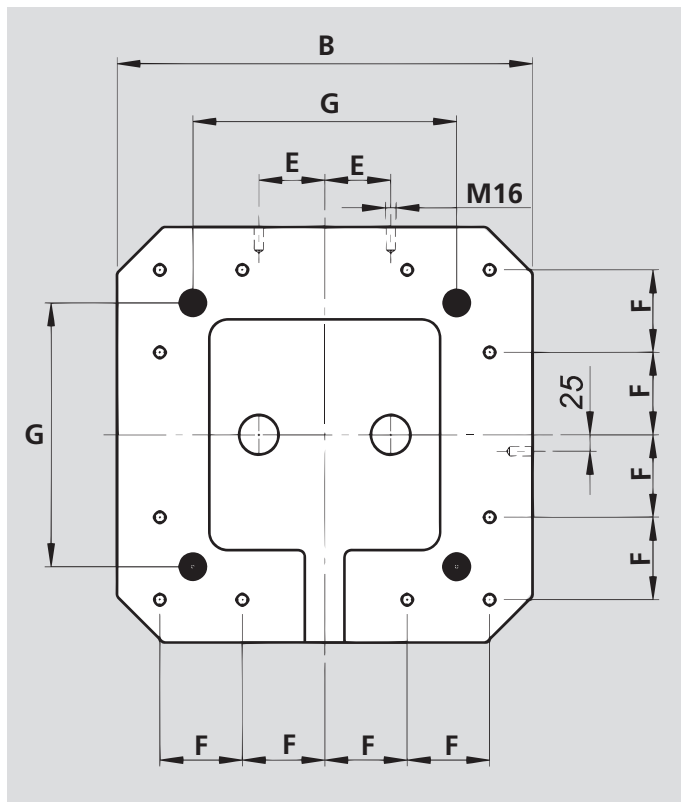
- Steel (optional hardened), aluminium or cast iron
- Suitable for standard machine pallets type DIN 55201 and JIS 6337-1980
- Raw, milled with/ without grid bore holes
- Special sizes on request

Overview

Product picture	Description	Page
	Dimensions of standard adaptation for machine tools pallet	145
	Manufacturing tolerances	145
	Tombstones Square	147
	Tombstones Rectangle	150
	Tombstones Triangle	153
	Tombstones Octagon	154
	Crankwebs	156
	Angle Plates	160
	Plates	161
	Subplates	163

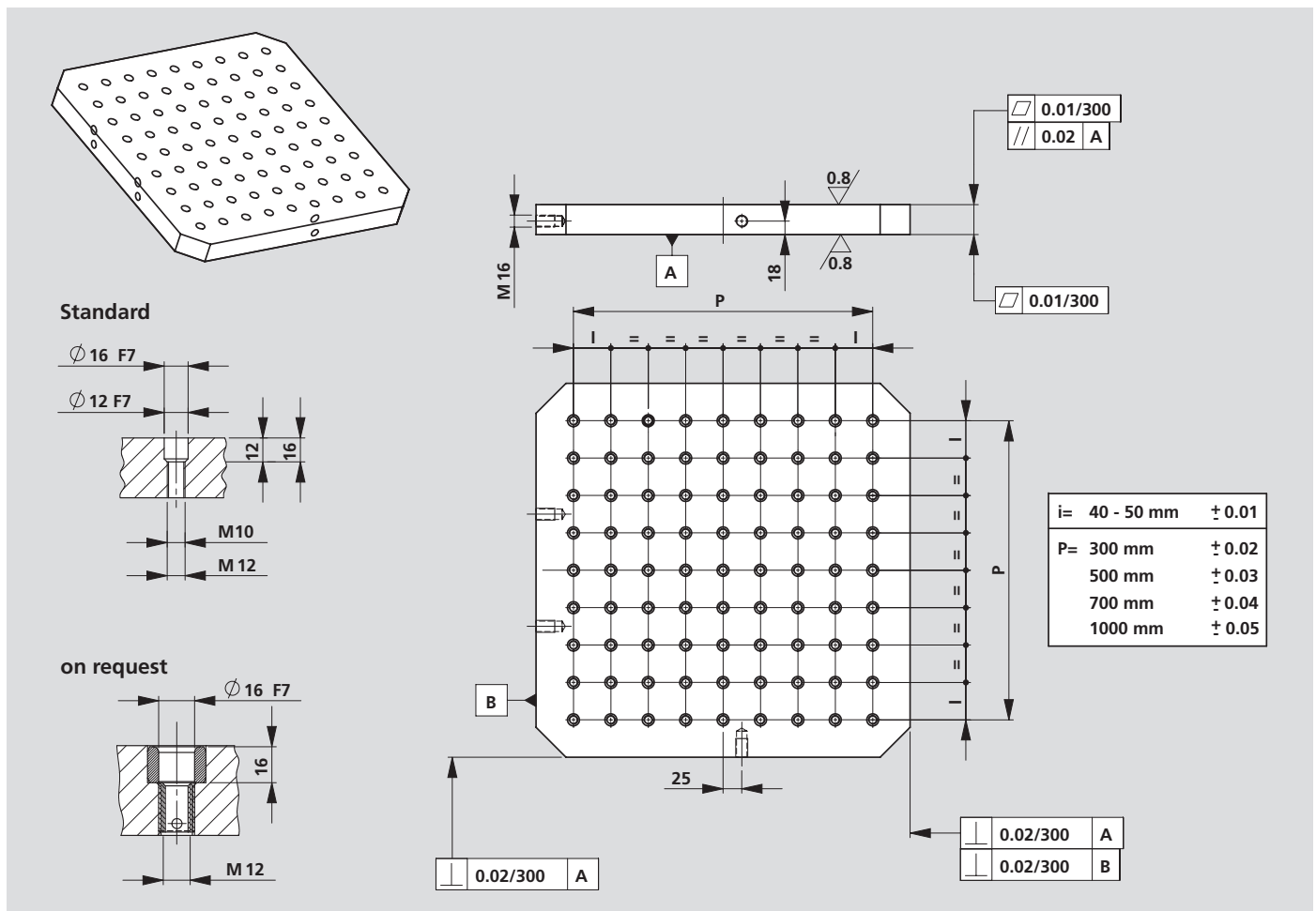
- Dimensions of standard adaptation
- Manufacturing tolerances

Dimensions of standard adaptation for machine tools pallet

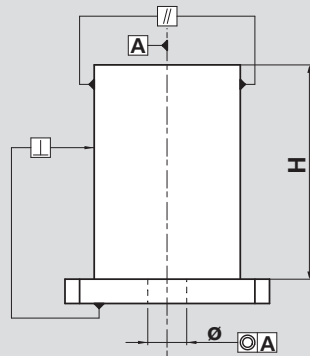


B mm	E mm	F mm	G mm
300	on request	on request	on request
400	55	80	250
500	75	100	250
630	100	125	420
800	125	160	420

Manufacturing tolerances

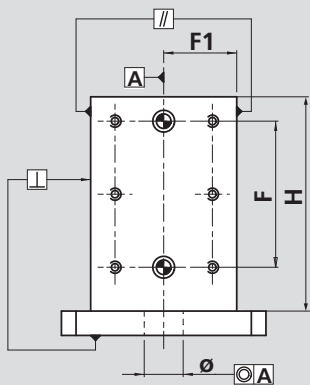


Tombstones milled



H	⊥	//	⊙
500 mm	0.020	0.020	0.020
1000 mm	0.035	0.035	0.035

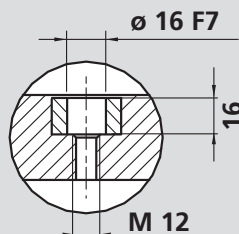
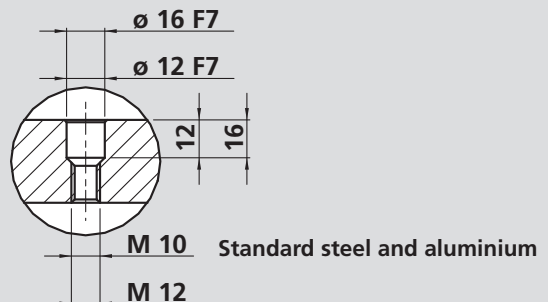
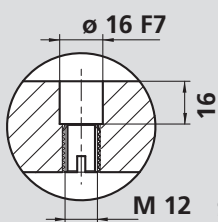
Tombstones with grid bore holes for plates



H	⊥	//	⊙
500 mm	0.020	0.020	0.020
1000 mm	0.035	0.035	0.035

F=	300 mm	± 0.02
	500 mm	± 0.03
	700 mm	± 0.04
F1=	500 mm	± 0.015
	1000 mm	± 0.025

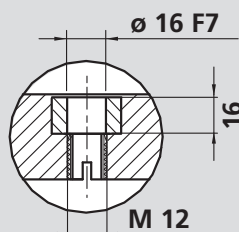
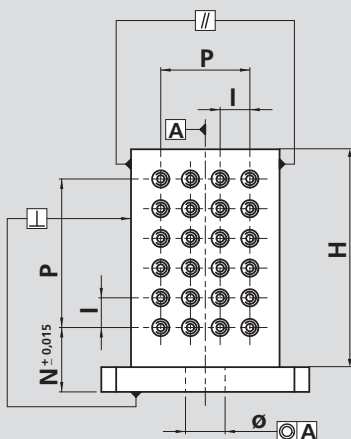
Tombstones with grid bore holes



H	⊥	//	⊙
500 mm	0.020	0.020	0.020
1000 mm	0.035	0.035	0.035

Further grid version for aluminium with steel sleeve insert

i=	40 - 50 mm	± 0.01
P=	300 mm	± 0.02
	500 mm	± 0.03
	700 mm	± 0.04
	1000 mm	± 0.05

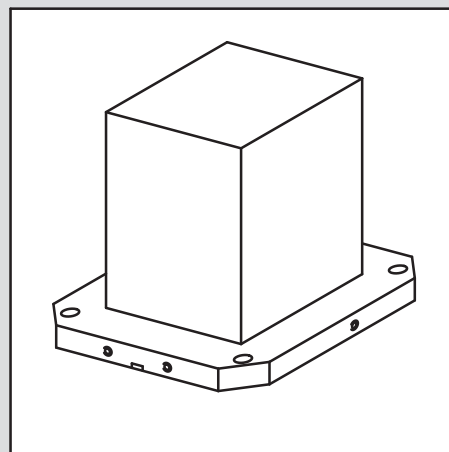
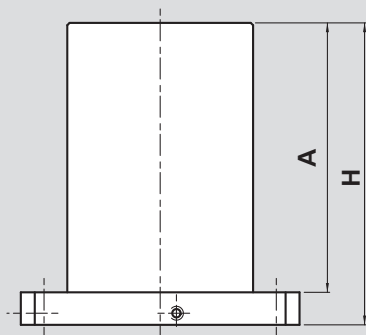


Further grid version for cast iron with steel sleeve and thread insert

Tombstones Square

RT

- Steel, aluminium or cast iron
- Raw or milled



Tombstones square – STEEL

Raw Id. No.	Milled Id. No.	A mm	B mm	C mm	H mm	Weight kg
462832	462831	415	300	160	455	81
462838	462837	620	400	250	660	205
462842	462841	660	500	350	700	318
462848	462847	815	630	450	860	524
462852	462851	945	800	550	1000	795

Tombstones square – ALUMINIUM

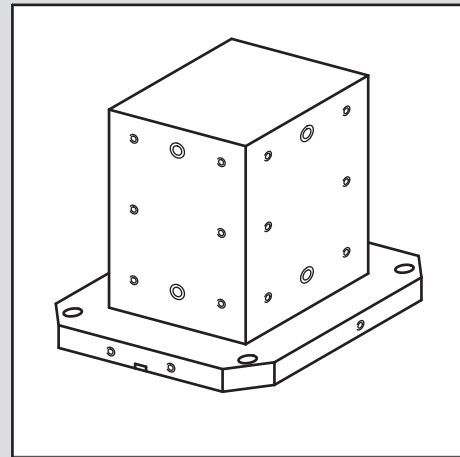
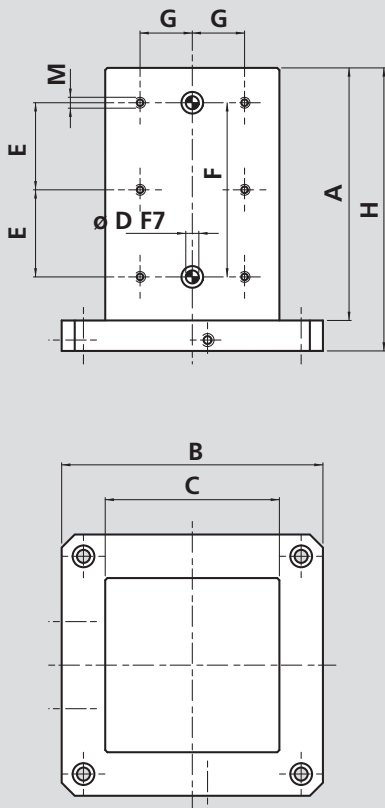
Id. No.	A mm	B mm	C mm	H mm	Weight kg
462853	620	400	250	660	80
462854	660	500	350	700	137
462856	815	630	450	860	253

Tombstones square – CAST IRON

Raw Id. No.	Milled Id. No.	A mm	B mm	C mm	H mm	Weight kg
462858	462857	615	400	250	660	208
462860	462859	655	500	350	700	329
462862	462861	810	630	450	860	607
462864	462863	945	800	550	1000	808

Special sizes on request.

- Steel, aluminium or cast iron
- With grid bore holes for plates



Tombstones square – STEEL

Id. No.	A mm	B mm	C mm	H mm	Ø D mm	M	E mm	F mm	G mm	Weight kg
462865	415	300	160	455	12	M 10	150	300	40	81
462868	620	400	250	660	16	M 12	250	500	75	205
462870	660	500	350	700	16	M 12	250	500	125	318
462873	815	630	450	860	16	M 12	350	700	175	524
462875	945	800	550	1000	16	M 12	400	800	225	795

Tombstones square – ALUMINIUM

Id. No.	A mm	B mm	C mm	H mm	Ø D mm	M	E mm	F mm	G mm	Weight kg
462876	620	400	250	660	16	M 12	250	500	75	80
462877	660	500	350	700	16	M 12	250	500	125	137
462879	815	630	450	860	16	M 12	350	700	175	253

Tombstones square – CAST IRON

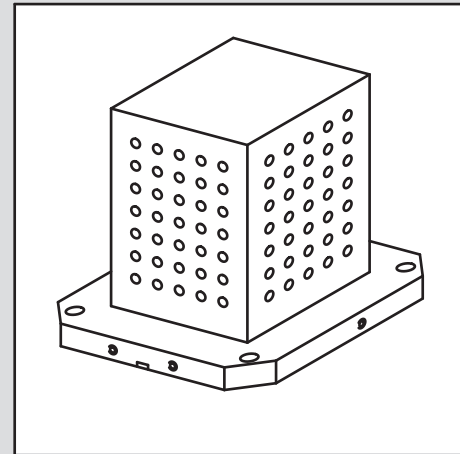
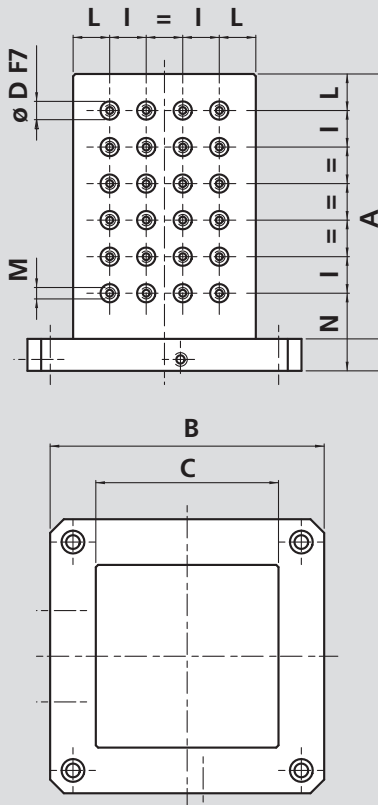
Id. No.	A mm	B mm	C mm	H mm	Ø D mm	M	E mm	F mm	G mm	Weight kg
462880	615	400	250	660	16	M 12	250	500	75	208
462881	655	500	350	700	16	M 12	250	500	125	329
462882	810	630	450	860	16	M 12	350	700	175	607
462883	945	800	550	1000	16	M 12	400	800	225	808

Special sizes on request.

Tombstones Square

RT

- Steel, aluminium or cast iron
- With grid bore holes for plates



Tombstones square – STEEL

Id. No.	A mm	B mm	C mm	H mm	Ø D mm	M	I mm	L mm	N mm	Weight kg
462884	415	300	160	455	12	M 10	40	40	95	79
462887	620	400	250	660	16	M 12	50	50	110	198
462889	660	500	350	700	16	M 12	50	50	100	307
462892	815	630	450	860	16	M 12	50	50	110	506
462894	945	800	550	1000	16	M 12	50	50	100	768

Tombstones square – ALUMINIUM

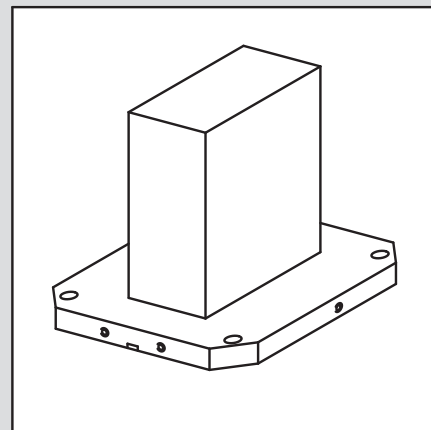
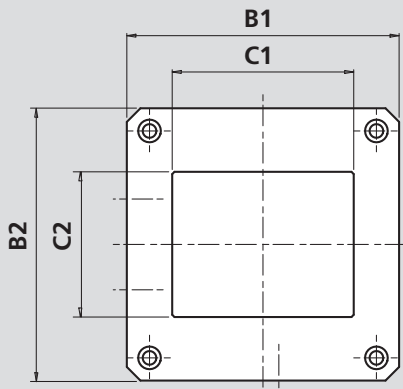
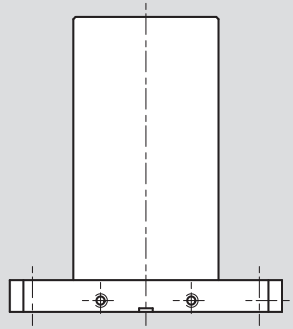
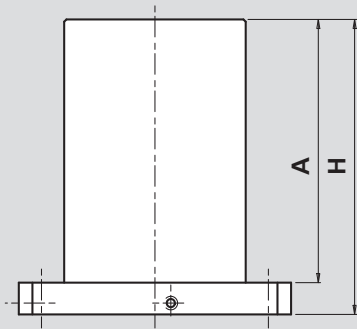
Id. No.	A mm	B mm	C mm	H mm	Ø D mm	M	I mm	L mm	N mm	Weight kg
462895	620	400	250	660	16	M 12	50	50	110	78
462896	660	500	350	700	16	M 12	50	50	100	133
462898	815	630	450	860	16	M 12	50	50	110	246

Tombstones square – CAST IRON

Id. No.	A mm	B mm	C mm	H mm	Ø D mm	M	I mm	L mm	N mm	Weight kg
462899	615	400	250	660	16	M 12	50	50	110	208
462900	655	500	350	700	16	M 12	50	50	100	329
462901	810	630	450	860	16	M 12	50	50	110	522
462902	945	800	550	1000	16	M 12	50	50	100	808

Special sizes on request.

■ Steel, milled

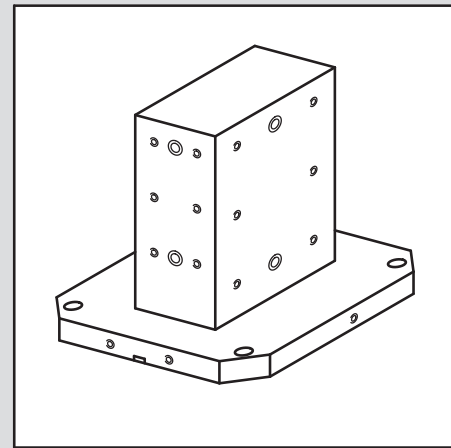
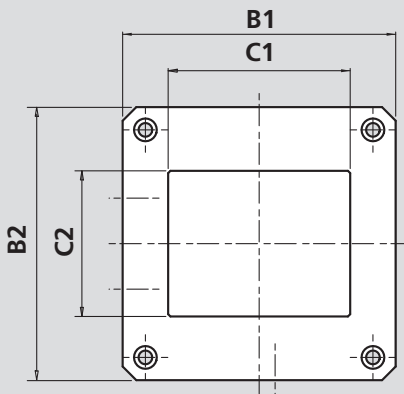
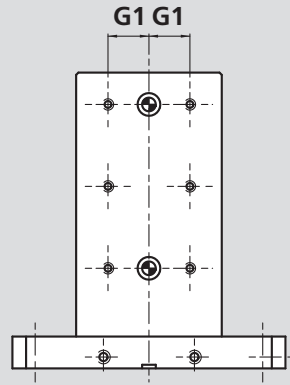
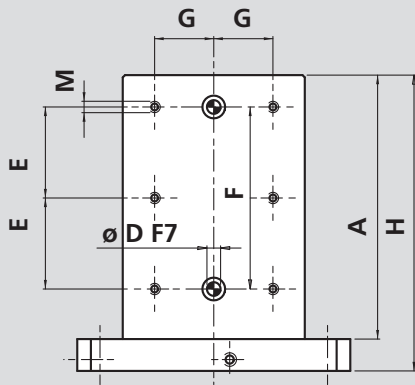


Tombstones rectangle cube – STEEL

Id. No.	A mm	B1 mm	B2 mm	C1 mm	C2 mm	H mm	Weight kg
462800	615	500	400	350	250	655	250
462801	615	500	500	350	250	655	265
462802	615	630	500	450	350	660	367
462803	615	630	630	450	350	660	395

Special sizes on request.

- Steel
- With grid bore hole for plates

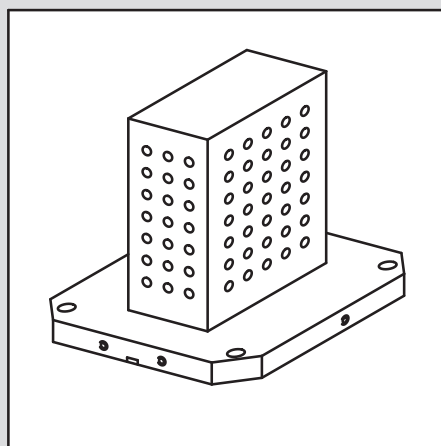
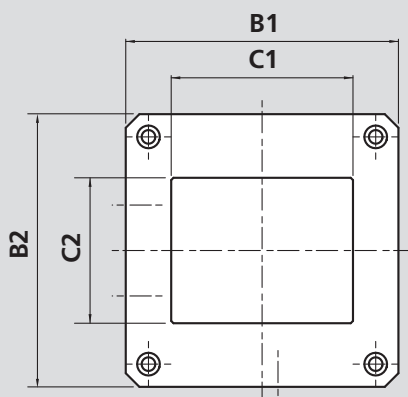
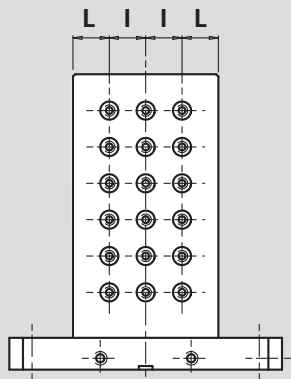
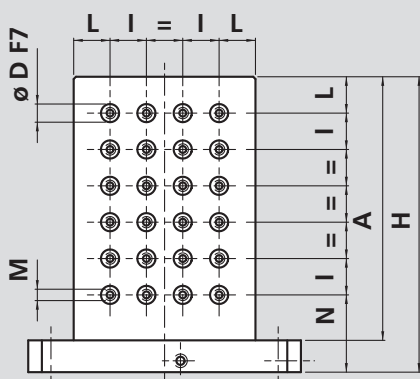


Tombstones rectangle cube – STEEL

Id. No.	A mm	B1 mm	B2 mm	C1 mm	C2 mm	H mm	Ø D mm	M	E mm	F mm	G mm	G1 mm	Weight kg
462823	615	500	400	350	250	655	16	M 12	250	500	125	75	250
462824	615	500	500	350	250	655	16	M 12	250	500	125	75	265
462825	615	630	500	450	350	660	16	M 12	250	500	175	125	367
462826	615	630	630	450	350	660	16	M 12	250	500	175	125	395

Special sizes on request.

- Steel
- With grid bore hole

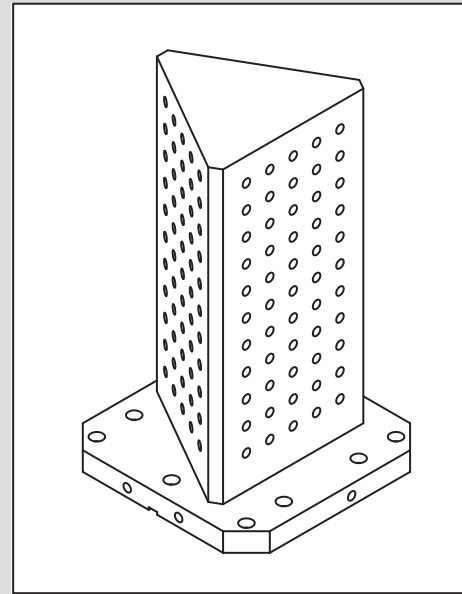
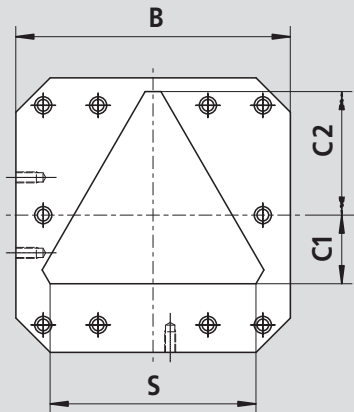
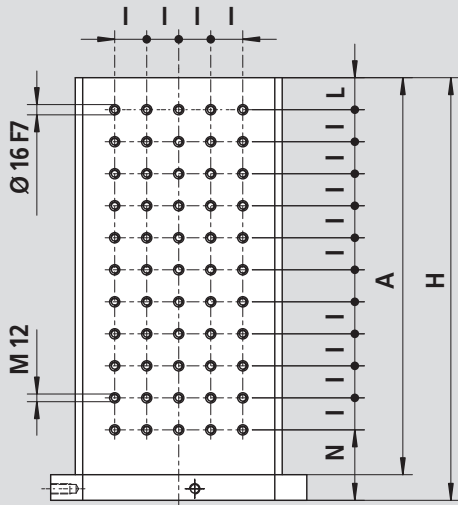


Tombstones rectangle cube – STEEL

Id. No.	A mm	B1 mm	B2 mm	C1 mm	C2 mm	H mm	Ø D mm	M	I mm	L mm	N mm	Weight kg
462827	615	500	400	350	250	655	16	M 12	50	50	105	242
462828	615	500	500	350	250	655	16	M 12	50	50	105	257
462829	615	630	500	450	350	660	16	M 12	50	50	110	355
462830	615	630	630	450	350	660	16	M 12	50	50	110	383

Special sizes on request.

- Steel
- With grid bore holes

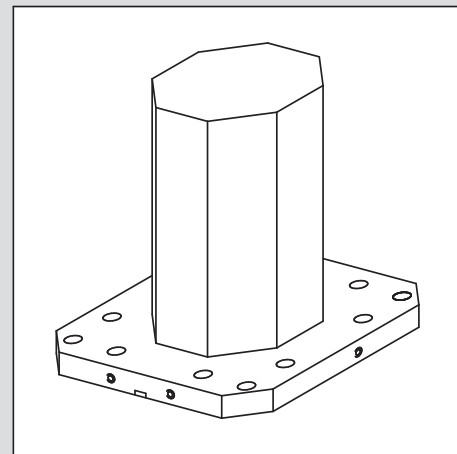
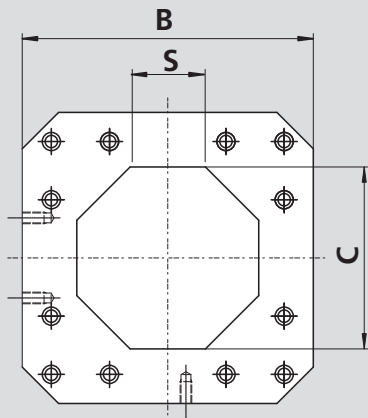
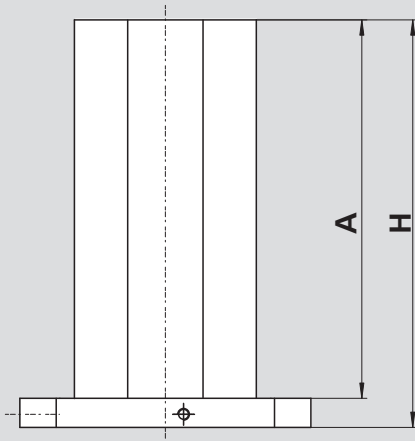


Tombstones triangle tower – STEEL

Id. No.	A mm	B mm	C1 mm	C2 mm	H mm	I mm	L mm	N mm	S mm	Weight kg
462903	620	400	100	180	660	50	50	110	300	200
462904	620	500	100	180	660	50	50	110	300	227

Special sizes on request.

- Steel or aluminium
- Milled



Tombstones octagon tower – STEEL

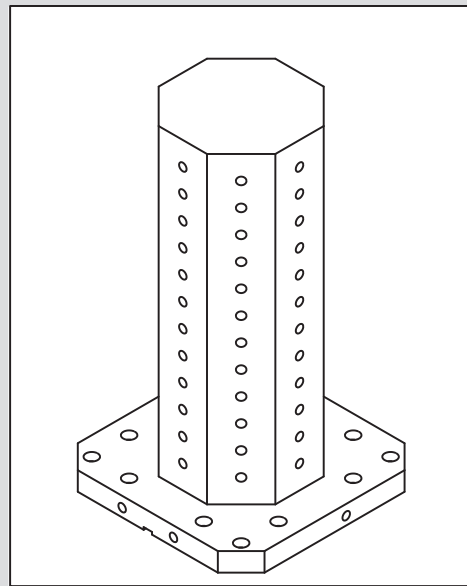
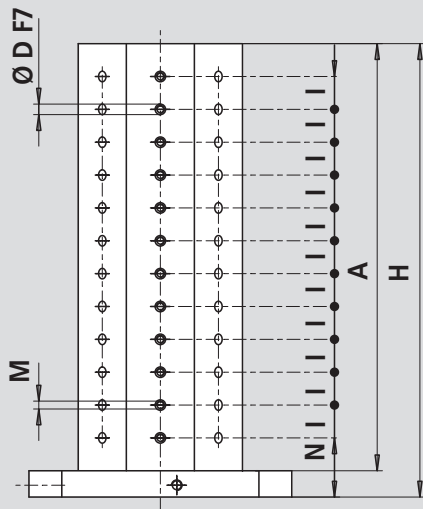
Id. No.	A mm	B mm	C mm	H mm	S mm	Weight kg
462914	650	400	250	690	100	185
462915	650	500	250	690	100	213
462916	650	630	380	690	155	351

Tombstones octagon tower – ALUMINIUM

Id. No.	A mm	B mm	C mm	H mm	S mm	Weight kg
462917	650	400	250	690	100	79
462918	650	500	250	690	100	88
462919	650	630	380	690	155	138

Special sizes on request.

- Steel and aluminium
- With grid bore holes



Tombstones octagon tower – STEEL

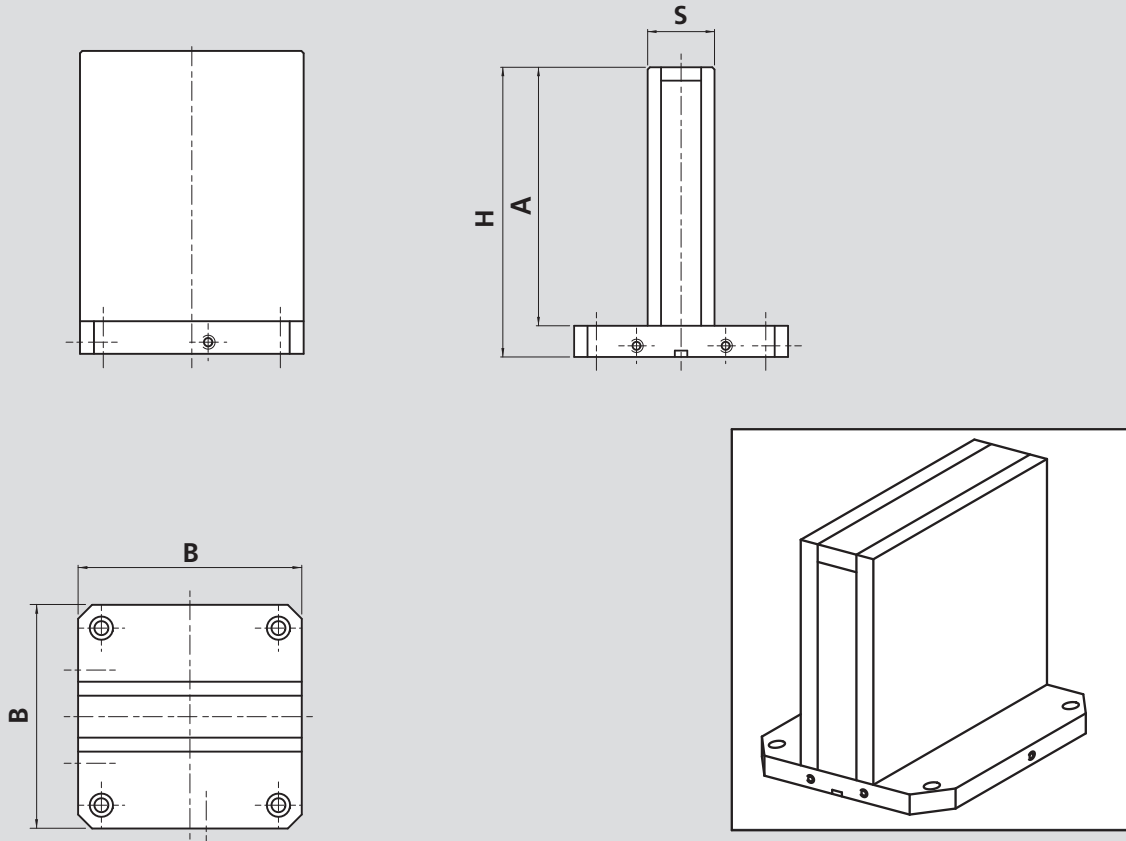
Id. No.	A mm	B mm	C mm	H mm	$\varnothing D$ mm	M	I mm	N mm	S mm	Weight kg
462920	650	400	250	690	16	M 12	50	90	100	181
462921	650	500	250	690	16	M 12	50	90	100	209
462922	650	630	380	690	16	M 12	50	90	155	339

Tombstones octagon tower – ALUMINIUM

Id. No.	A mm	B mm	C mm	H mm	$\varnothing D$ mm	M	I mm	N mm	S mm	Weight kg
462923	650	400	250	690	16	M 12	50	90	100	78
462924	650	500	250	690	16	M 12	50	90	100	87
462925	650	630	380	690	16	M 12	50	90	155	136

Special sizes on request.

- Steel, aluminium or cast iron
- Raw or milled



Crankweb – STEEL

Raw Id. No.	Milled Id. No.	A mm	B mm	H mm	S mm	Weight kg
462931	462930	620	400	660	150	212
462935	462934	660	500	700	150	287
462939	462938	815	630	860	200	482
462943	462942	945	800	1000	260	810

Crankweb – ALUMINIUM

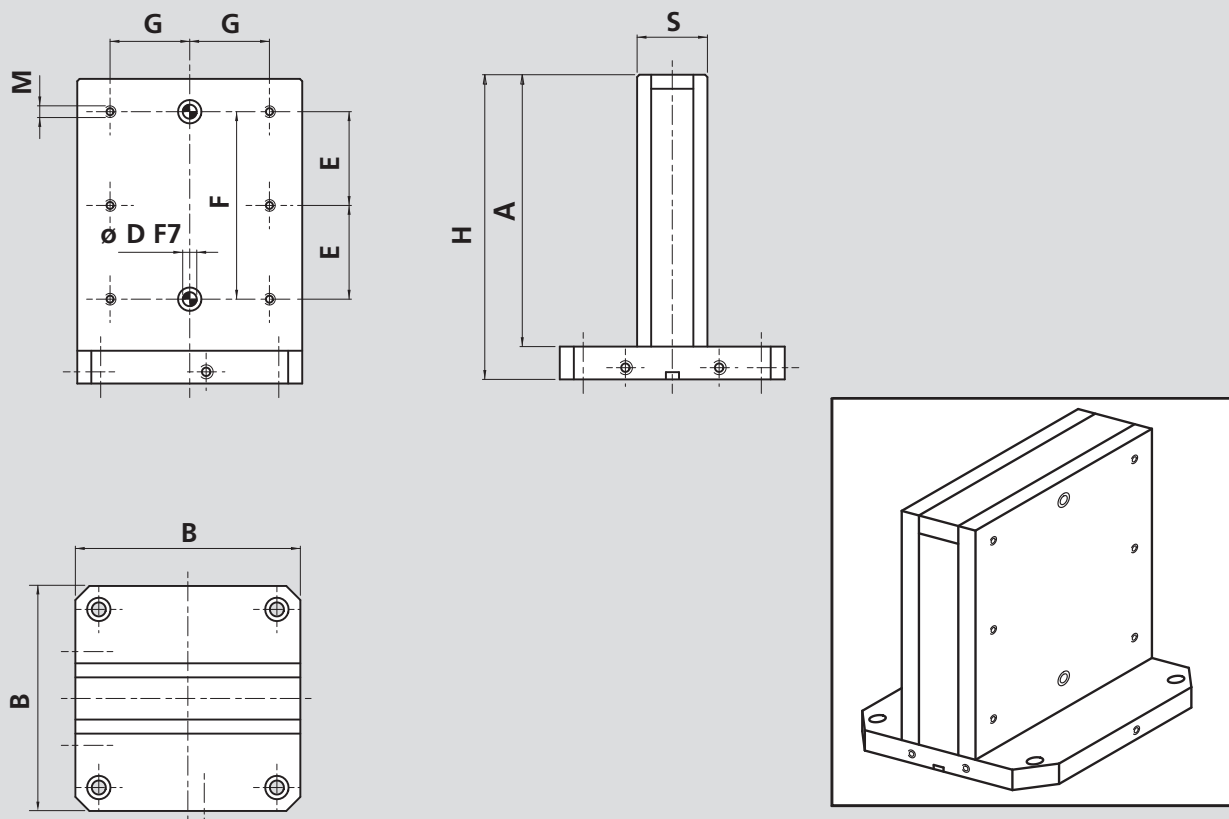
Id. No.	A mm	B mm	H mm	S mm	Weight kg
462944	620	400	660	150	77
462945	660	500	700	150	103
462947	815	630	860	200	172

Crankweb – CAST IRON

Raw Id. No.	Milled Id. No.	A mm	B mm	H mm	S mm	Weight kg
462949	462948	615	400	660	150	185
462951	462950	655	500	700	150	247
462953	462952	810	630	860	200	448
462955	462954	945	800	1000	300	810

Special sizes on request.

- Steel, aluminium or cast iron
- For plates



Crankweb – STEEL

Id. No.	A mm	B mm	H mm	Ø D mm	M	E mm	F mm	G mm	S mm	Weight kg
462958	620	400	660	16	M 12	250	500	150	150	212
462960	660	500	700	16	M 12	250	500	200	150	287
462962	815	630	860	16	M 12	350	700	250	200	482
462964	945	800	1000	16	M 12	100	800	350	260	810

Crankweb – ALUMINIUM

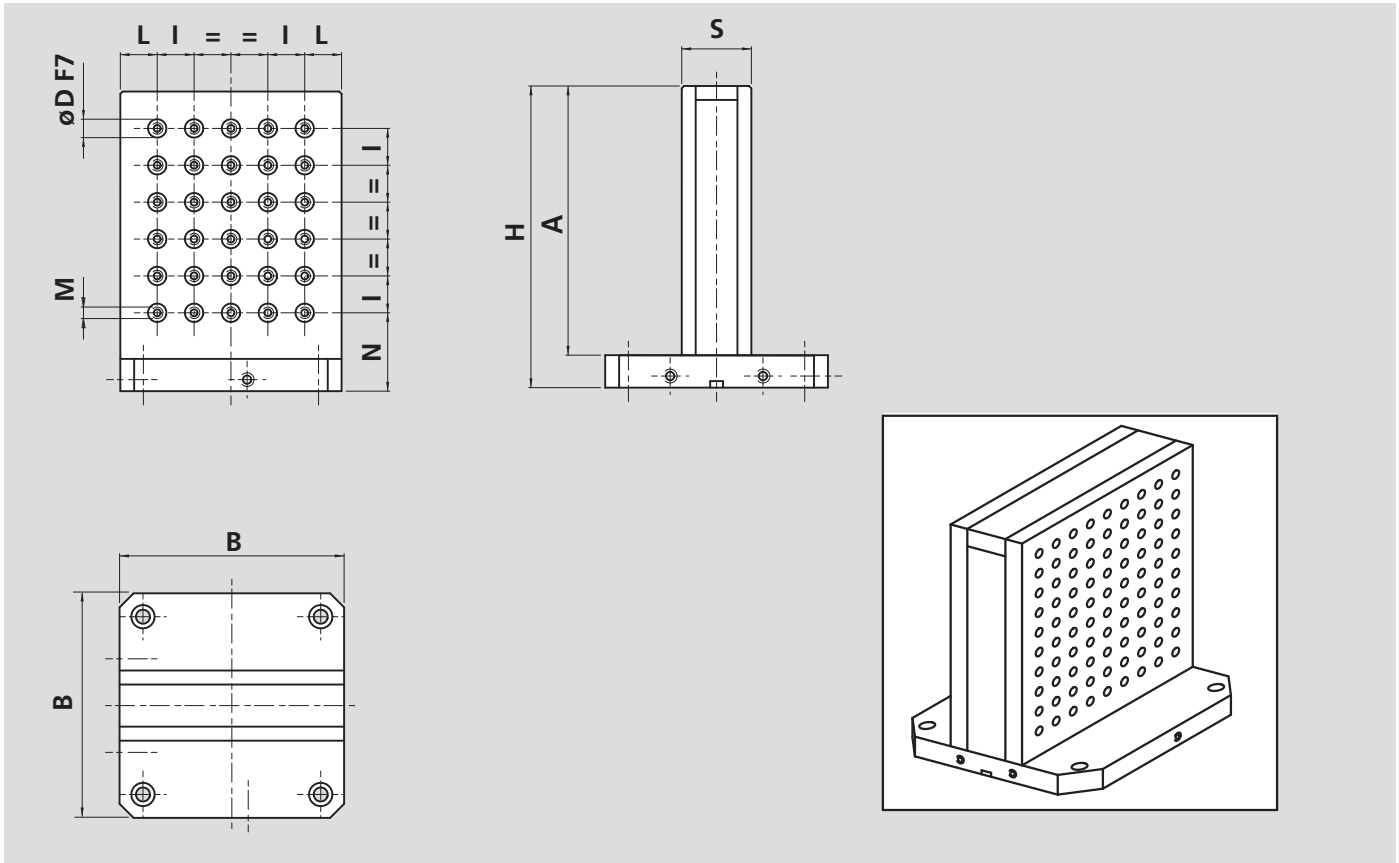
Id. No.	A mm	B mm	H mm	Ø D mm	M	E mm	F mm	G mm	S mm	Weight kg
462965	620	400	660	16	M 12	250	500	150	150	77
462966	660	500	700	16	M 12	250	500	200	150	103
462968	815	630	860	16	M 12	350	700	250	200	180

Crankweb – CAST IRON

Id. No.	A mm	B mm	H mm	Ø D mm	M	E mm	F mm	G mm	S mm	Weight kg
462969	615	400	660	16	M 12	250	500	150	150	185
462970	655	500	700	16	M 12	250	500	200	150	247
462971	810	630	860	16	M 12	350	700	250	200	448
462972	945	800	1000	16	M 12	400	800	350	300	810

Special sizes on request.

- Steel, aluminium or cast iron
- With grid bore holes



Crankweb – STEEL

Id. No.	A mm	B mm	H mm	Ø D mm	M	I mm	L mm	N mm	S mm	Weight kg
462975	620	400	660	16	M 12	50	50	110	150	206
462977	660	500	700	16	M 12	50	50	100	150	279
462979	815	630	860	16	M 12	50	40	110	200	468
462981	945	800	1000	16	M 12	50	50	100	260	787

Crankweb – ALUMINIUM

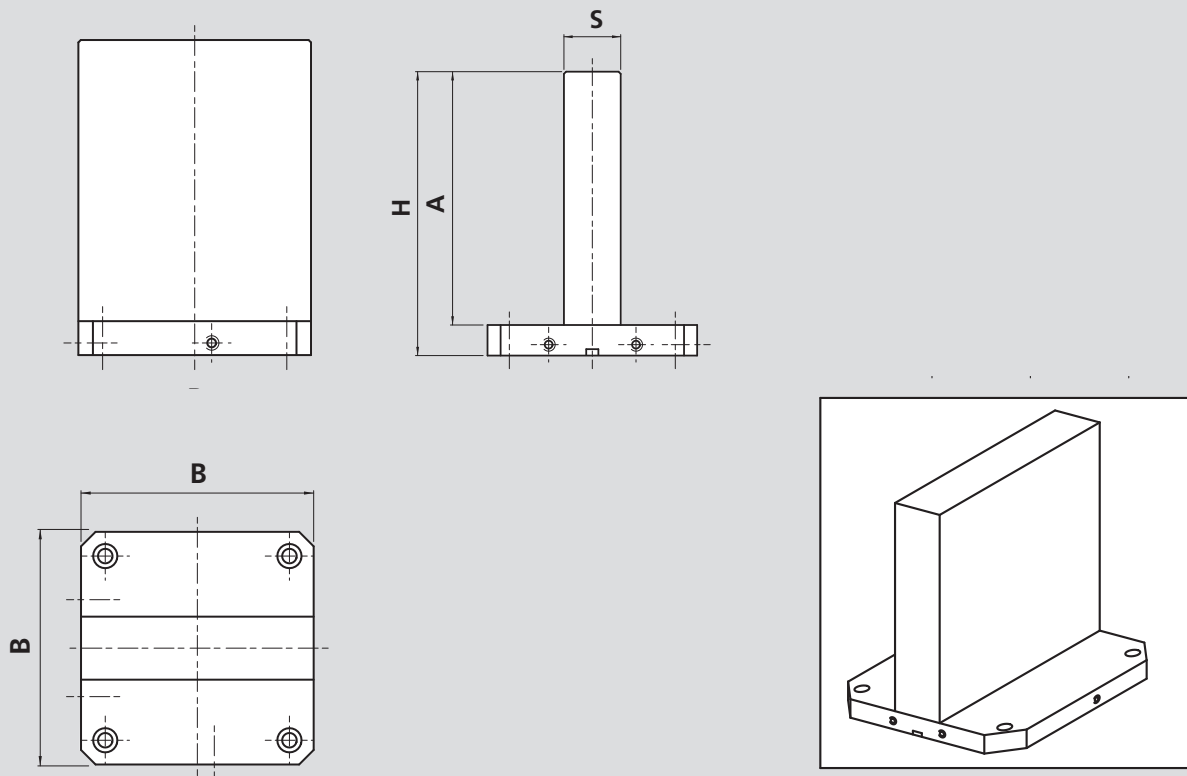
Id. No.	A mm	B mm	H mm	Ø D mm	M	I mm	L mm	N mm	S mm	Weight kg
462982	620	400	660	16	M 12	50	50	110	150	74
462983	660	500	700	16	M 12	50	50	100	150	100
462985	815	630	860	16	M 12	50	40	110	200	170

Crankweb – CAST IRON

Id. No.	A mm	B mm	H mm	Ø D mm	M	I mm	L mm	N mm	S mm	Weight kg
462986	615	400	660	16	M 12	50	50	110	150	180
462987	655	500	700	16	M 12	50	50	100	150	240
462988	810	630	860	16	M 12	50	40	110	200	440
462989	945	800	1000	16	M 12	50	50	100	300	790

Special sizes on request.

- Steel and aluminium
- Made of full metal



Crankweb – STEEL

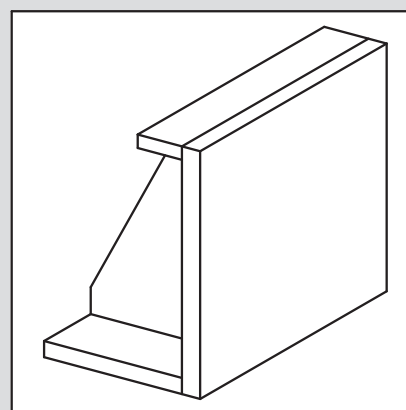
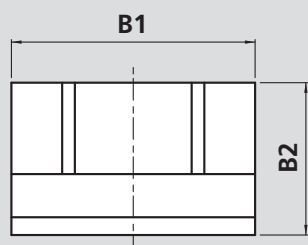
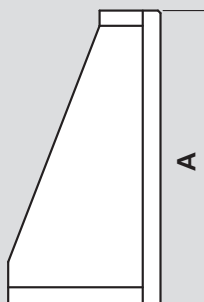
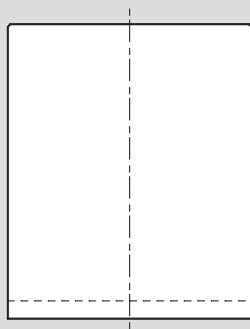
Id. No.	A mm	B mm	H mm	S mm	Weight kg
462804	370	320	410	80	107
462805	480	400	520	100	201
462806	580	500	620	100	306

Crankweb – ALUMINIUM

Id. No.	A mm	B mm	H mm	S mm	Weight kg
462807	270	250	310	80	23

Special sizes on request.

- Steel
- Milled

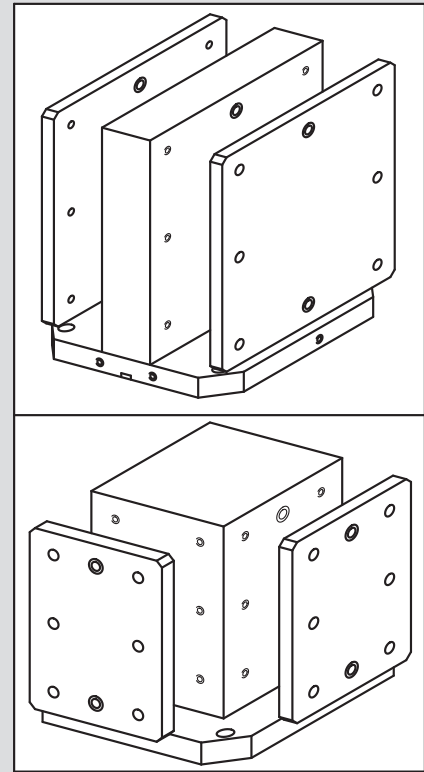
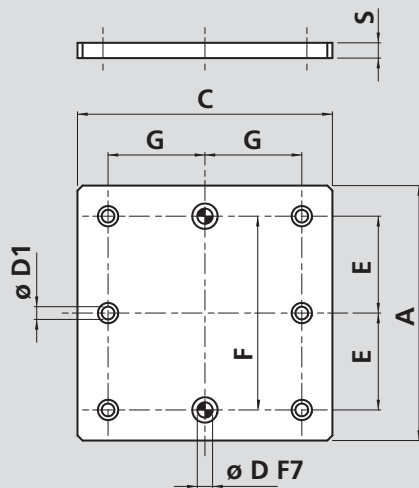


Angle Plates – STEEL

Id. No.	A mm	B1 mm	B2 mm	Weight kg
462808	360	320	230	66
462809	460	400	330	130
462810	510	400	330	139
462811	510	500	330	182
462812	560	500	330	196
462813	560	630	430	305
462814	660	630	430	343

Special sizes on request.

■ Steel grinded

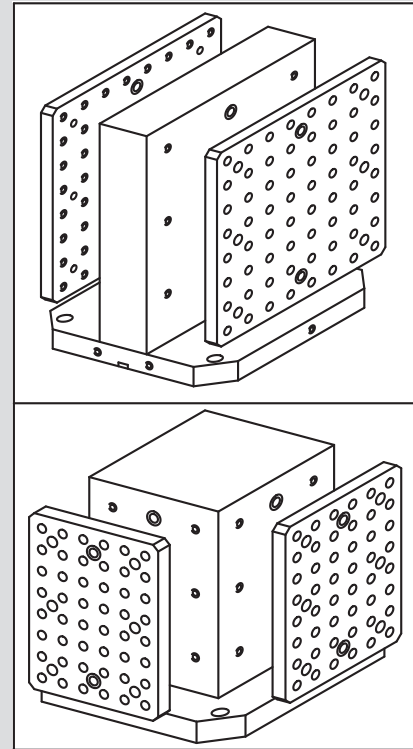
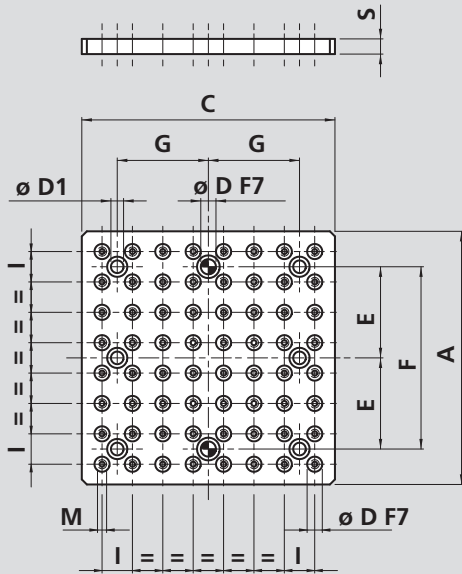


Plates – STEEL

Id. No.	C mm	A mm	Ø D mm	Ø D1 mm	E mm	F mm	G mm	S mm	Weight kg
462990	160	400	12	11	150	300	40	20	10
462994	250	600	16	13	250	500	75	25	29
462997	350	600	16	13	250	500	125	25	41
463000	400	600	16	13	250	500	150	25	47
463003	450	800	16	13	350	700	175	25	70.5
463006	500	600	16	13	250	500	200	25	58.5
463008	550	800	16	13	350	700	225	25	86
463011	630	800	16	13	350	700	250	25	98.5
463013	800	800	16	13	350	700	350	30	149

Special sizes on request.

- Steel grinded
- With grid bore holes

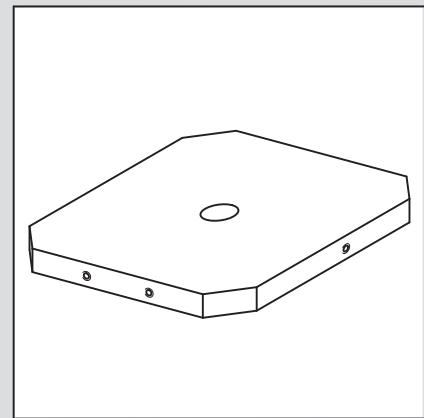
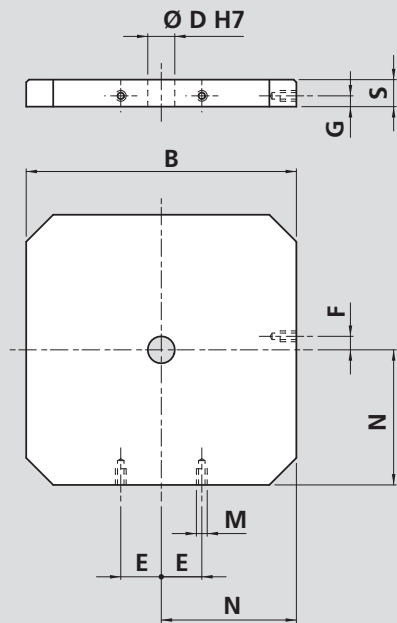


Grid plate – STEEL

Id. No.	C mm	A mm	Ø D mm	Ø D1 mm	M	E mm	F mm	G mm	I mm	S mm	Weight kg
463014	160	400	12	11	M 10	150	300	40	40	30	15
463018	250	600	16	13	M 12	250	500	75	50	35	39
463021	350	600	16	13	M 12	250	500	125	50	35	55
463024	400	600	16	13	M 12	250	500	150	50	35	63
463027	450	800	16	13	M 12	350	700	175	50	35	95
463030	500	600	16	13	M 12	250	500	200	50	35	78
463032	550	80	16	13	M 12	350	700	225	50	35	114
463035	630	80	16	13	M 12	350	700	250	50	35	131
463038	800	800	16	13	M 12	350	700	350	50	35	166

Special sizes on request.

- Steel grinded
- Without grid bore hole



Subplates – STEEL

Id. No.	B mm	Ø D mm	M	N mm	E mm	F mm	G mm	S mm	Weight kg
462815	320	30	-	160	-	-	-	40	30
462816	400	50	M 16	200	55	25	18	40	48
462817	450	50	-	225	-	-	-	40	61
462818	500	50	M 16	250	75	25	18	40	76
462819	550	50	-	275	-	-	-	40	93
462820	630	50	M 16	315	100	25	18	40	121

Special sizes on request.