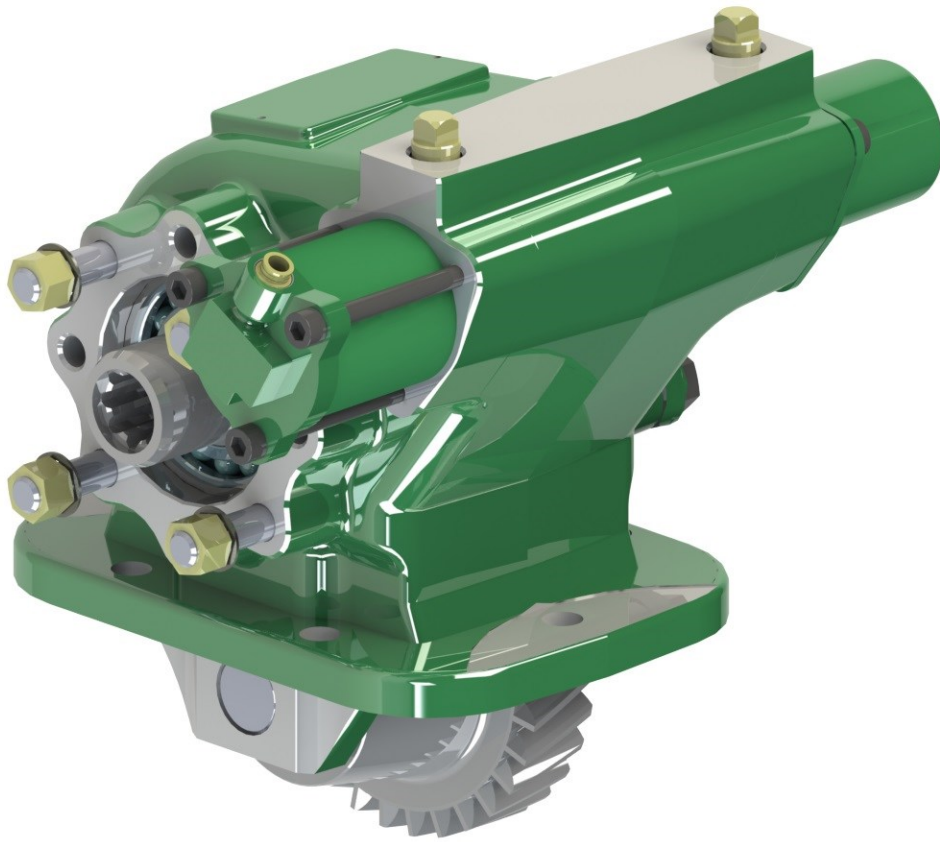


Technical Data Sheet



PA393 SERIES POWER TAKE-OFF

Product Features

Heavy Duty 6 Bolt Side Mounted Power Take-Off

The 393 series is designed for many Asian manufactured transmissions with a 6 bolt opening, it is a heavy duty deep reach design.

This single reduction PTO is supplied with a deep reach gear to mesh with the countershaft gear inside the transmission. The 6 bolt flange fits many standard Transmissions allowing for a compact fit on these gearboxes.

Suits:

Many Daihatsu, Ford, Hino, Isuzu, Mazda and Toyota transmissions.

(Refer to the eGuide Configurator on www.hydreco.com for confirmation and details)

- **Deep Reach**
Meshes with many Asian manufactured gearboxes.
- **Wide Variety of Gears**
To suit many applications.
- **Helical Gears**
Quieter operation.
- **Constant Mesh Gears**
Less potential for gearbox damage through misuse.
- **Heavy Duty Tapered Roller Bearings**
For long life and better support for the idler gear.

POWAUTO

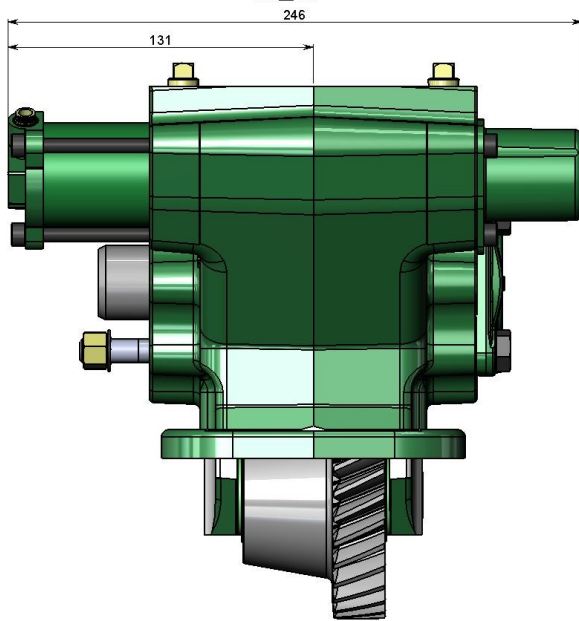
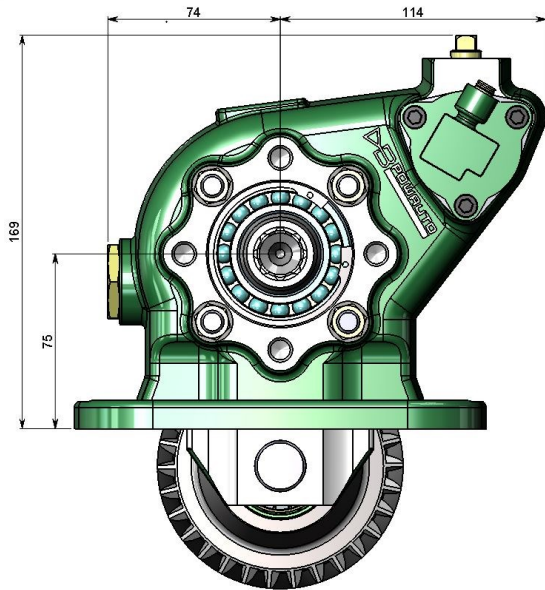
DAVID BROWN
HYDRAULICS

HYDRECO

HYDRECO
POWAUTO
HYDRAULIC SOLUTIONS PROVIDER

www.hydreco.com

Technical Data Sheet



PTO DESIGNATION CODES

393 Series

PA 393 SD L11 C 08 *

Identifier

PA = PTO Side Mount

PTO Series

393

Gear Type

M7, MQ1, SB, SD

Build

L = Left side of transmission

1 = Selector to top / Bias to bottom

2 = Selector to bottom / Bias to top

4 = Rear to centre

(Position of gear in transmission)

Engagement Type

A = Air

C = Cable

V = Vacuum

Output Type

08 = 8T Powauto Hydraulic Spline

13 = 13T SAE B Hydraulic Spline + SAE B Pump Mount

15 = Ø30 Taper Shaft - 1" x ¼" Key - 25 x 50 Flange

16 = Ø30 Taper Shaft - 1" x ¼" Key - 35 x 60 Flange

17 = Ø30 Taper Shaft - 1" x ¼" Key - 1410 Flange

25 = 9T SAE A Hydraulic Spline + SAE A Pump Mount

30 = 13T SAE B Hydraulic Spline + DIN Mount

35 = Ø30 Taper Shaft - 1" x 5/16" Key - 50 x 62.5 Flange

Other outputs available on request, subject to MOQ.

Manufacturers Code

A = With Pressure Switch

B = With Mounting Kit

C = With Mounting Kit & PTO Control Kit

Technical Specifications		M7	MQ1	SB	SD
Ratings & Service Parts					
Torque	Nm / ft.lb	300 / 225	250 / 188	320 / 236	282 / 208
Power @ 500 rpm	kW / hp	16.0 / 21.4	13.3 / 17.9	17.3 / 23	14.8 / 19.8
Power @ 1000 rpm	kW / hp	32.0 / 42.8	26.7 / 35.7	34.6 / 46	29.6 / 39.6
Output Shaft Rotation		Opposite To Engine			
Approximate Bare Mass	kg / lb	13.0 / 28.6			
Mounting Kit		* See Note			
Mounting Gasket Kit		GK030			
Seal Kit		SK039			
Bearing Kit		BK039			

* Mounting kit varies with transmission - refer to eGuide Configurator.

Note: For full details refer to the owners manual or the eGuide configurator found at www.hydreco.com/markets/transport

DISTRIBUTOR:

Doc: PA393—05/17

www.hydreco.com

POWAUTO

DAVID BROWN
HYDRAULICS

HYDRECO

HYDRECO
POWAUTO
HYDRAULIC SOLUTIONS PROVIDER