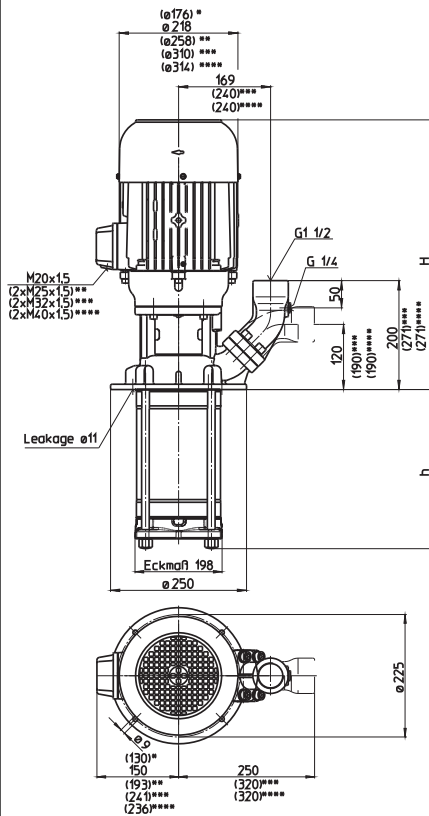


# Immersion Pumps (S)TH14

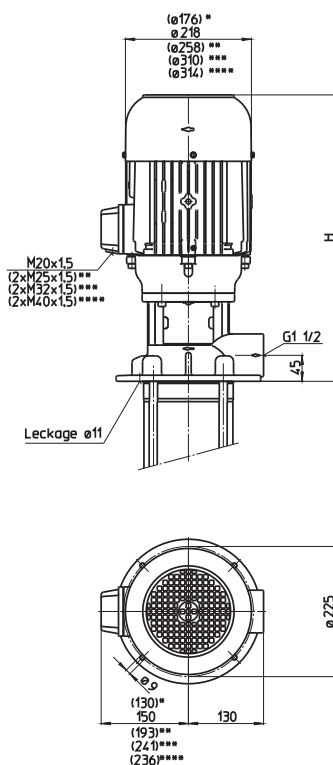
## 50 Hz

### Closed impellers

#### STH1402...1417



#### TH1402...1417



- \*) Dimension for (S)TH1402...1403
- \*\*) Dimension for (S)TH1408...1411
- \*\*\*) Dimension for (S)TH1412...1416
- \*\*\*\*) Dimension for (S)TH1417

Type	Vol. del. at manom. del. head l/min / m	Height H mm	Depth of immersion h mm	Weight kg	Power kW	Voltage 3 ~ V	Fre- quen- cy Hz	Current A	Speed 1/min
(S)TH1402A180	250/21	459	182	37	1.7	220-240	50	6.24	2890
(S)TH1403A280	250/38	492	278	43	2.6	220-240	50	9.30	2880
(S)TH1404A280	250/48	531	278	55	3.3	220-240	50	11.6	2930
(S)TH1405A380	250/60	531	374	57	4.0	220-240	50	14.50	2920
(S)TH1406A380	250/74	561	374	64	5.0	220-240	50	17.3	2920
(S)TH1407A470	250/85	561	470	66	5.5	220-240	50	18.9	2915
(S)TH1408A470	250/98	640	470	98	7.5	380-415	50	14.3	2950
(S)TH1409A570	250/110		566	102					
(S)TH1410A570	250/120	640	566	110	9.0	380-415	50	16.7	2955
(S)TH1411A660	250/134		662	115					
(S)TH1412A660	250/144	647	662	131	11.0	380-415	50	20.1	2960
(S)TH1413A760	250/159		758	135					
(S)TH1414A760	250/170	647	758	139	13.0	380-415	50	24.2	2960
(S)TH1415A900	250/180		902	143					
(S)TH1416A900	250/190			145					
(S)TH1417A900	250/200	952	902	161	15.0	400	50	27	2960

## Immersion Pumps

series TH and FH use **closed impellers** in order to minimize power consumption and to optimize hydraulic pump efficiencies.

In addition, the TH series offers high pressures at short immersion depths. Inline pumps of the series FH can be used as **boosting pumps** if provided with positive inlet pressure. This inlet pressure can be provided by the central coolant supply or a feed pump. In such a setup, pumps of the series FH can raise the incoming pressure by up to 26 bar.

**Extended length is possible.** See medium pressure pumps features within the technical information section.

## Applications

Types of fluid  
 Industry water  
 coolants  
 cooling/cutting oils  
 Kinematic viscosity  
 ...25 mm<sup>2</sup>/s (25 cSt)  
 Pumping temperature  
 0...80° C

## Construction

Pump body	cast iron
Cover	cast iron
Impellers	CrNi-steel
Shaft	CrNi-steel
Diffusers	CrNi-steel
Mechanical seal	SiC
O-rings	Viton
<b>Optional:</b>	
Pump body	CrNi-steel
Cover	CrNi-steel

<b>Noise level</b>	
(S)TH1402...(S)TH1403	63 dBA
(S)TH1404...(S)TH1407	71 dBA
(S)TH1408...(S)TH1416	74 dBA
(S)TH1417	78 dBA

