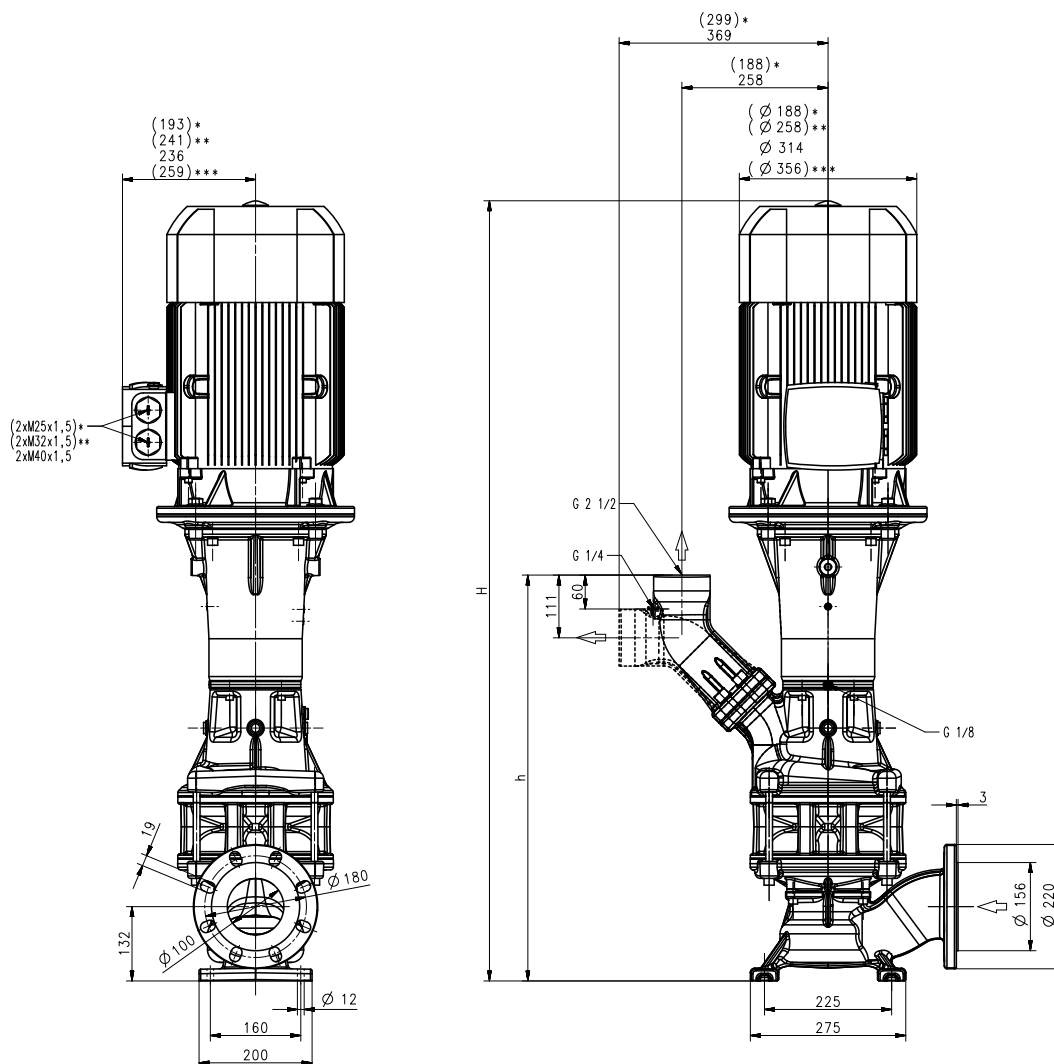


Vertical End Suction Pumps

SBA1600...2002-V

Axial/semi-open impellers

SBA1600...2002-V



- *) Dimensions for SBA1600-V
 **) Dimensions for SBA2000-V
 ***) Dimensions for SBA2002-V

Type	Vol. del. at manom. del. head l/min / m	Dimensions		Weight kg	Power kW	Voltage 3 ~ V	Fre- quen- cy Hz	Current A	Speed 1/min
		H mm	h mm						
SBA1600-V	1400/15	907	538	132	9.0	380-415	50	16.7	2955
					10.3	460	60	15.8	3550
SBA2000-V	1600/15	916	609	159	11.0	380-415	50	20.1	2960
					12.6	460	60	19.5	3560
SBA1602-V	1400/37	1381	719	228	18.5	400	50	32	2955
					21.3	460	60	32	3555
SBA2002-V	1600/47	1435	719	251	22.0	400	50	37.5	2950
					25.3	460	60	37.5	3550

Vertical End Suction Pumps

are centrifugal inline pumps with a compact design where the impeller is mounted onto the extended motor shaft. These pumps are not self-priming and must be gravity fed. All pumps are equipped with double mechanical seal. This pump series is designed for vertical installations next to a tank and for pumping **air entrained coolant** fluids, such as **water-soluble coolants or cutting oils**, as they occur in **high speed turning, milling or grinding applications**.

The SBA pumps are equipped with the user-friendly 45 degree **flange** connection which allows for either vertical or horizontal pipe connection and the connection of a pressure gauge with G 1/4.

For more information see mechanical features within the technical information section.

Applications

Types of fluid
coolants
cooling/cutting oils
Kinematic viscosity
...45 mm²/s (45 cSt)
Pumping temperature
0...80° C

Construction

Pump body	cast iron
Cover	cast iron
Impeller axial	cast steel
Impeller radial	cast steel
Shaft	steel
Mechanical seal	SiC
Noise level	
SBA1600-V...SBA2000-V	74 dBA
SBA1602-V...SBA2002-V	78 dBA

