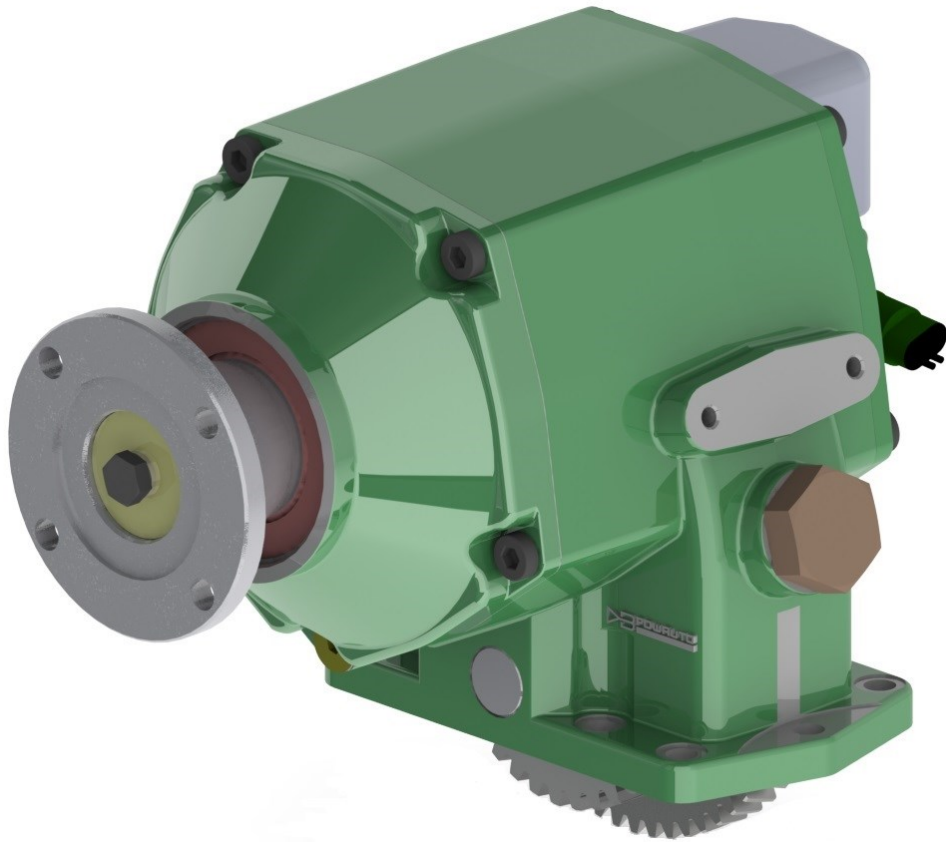


Technical Data Sheet



PA38 SERIES POWER TAKE-OFF

Product Features

Low Ratio Extra Heavy Duty Side Mounted Hotshift Power Take-Off

The 38 series is a constant mesh hotshift PTO designed to suit the 10 bolt transmission openings on the MD and HD series Allison automatic transmissions.

This PTO has a high torque rating which is well suited to heavy duty applications.

Suits:

Allison MD 3050P, 3060P, 3070PT, 3550P, 3560P, HD 4060P, 4560P transmissions.

(Refer to the eGuide Configurator on www.hydreco.com for confirmation and details)

- **Output Speeds 80 to 164% of Engine Speed (Transmission Dependant)**
Giving good output values for all applications.
- **Internal Clutch System**
Ensuring no gear clash when engaging. Ability to engage while moving
- **Viton Seals & O-Rings**
Ensuring compatibility with high temperature conditions.
- **One Gasket Fitment**
Simple to install, resulting in lower installation costs.
- **Balanced Lifting**
Easy and effortless installation.

POWAUTO

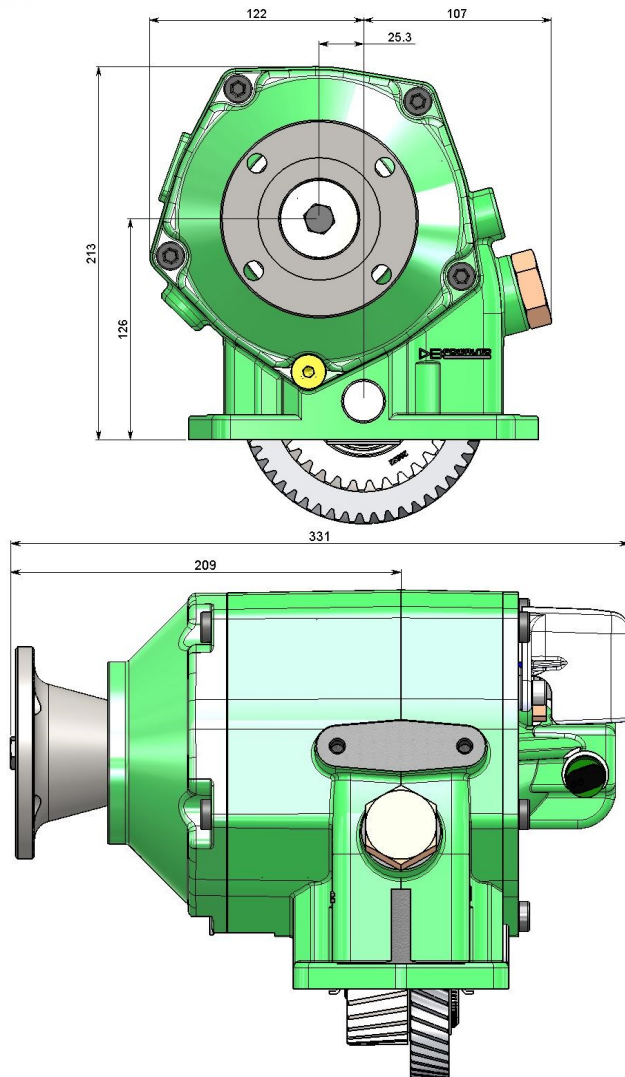
DAVID BROWN
HYDRAULICS

HYDRECO

HYDRECO
POWAUTO
HYDRAULIC SOLUTIONS PROVIDER

www.hydreco.com

Technical Data Sheet



PTO DESIGNATION CODES

38 Series

PA 38-1 JB L11 F 33 C *

Identifier

PA = PTO Side Mount

PTO Series

38

Ratio (3000/3500/4000)

Blank = 115%/141%/164%
 -1 = 81%/98%/115%
 -2 = 97%/118%/138%

Gear Type

JB

Build

L = Left side of transmission
 R = Right side of transmission
 1 = Selector to top / Bias to bottom
 2 = Selector to bottom / Bias to top
 1 = Centre to front
 (Position of gear in transmission)

Engagement Type

F = Electric / Hydraulic 12V
 G = Electric / Hydraulic 24V
 J = Hydraulic (for remote solenoid)

Output Type

33 = 17T 12/24 30° Spline + 1410 Flange
 40 = DIN 100 Flange
 Other outputs available on request, subject to MOQ.

Manufacturers Code

B = With Mounting Kit
 C = With Mounting Kit & PTO Control Kit

Remote Solenoid

12V
 24V

Technical Specifications		38	38-1	38-2
Ratings & Service Parts				
Ratio for Allison 3000		115.32%	80.62%	96.67%
Ratio for Allison 3500		140.75%	98.40%	117.99%
Ratio for Allison 4000		164.49%	115.00%	137.89%
Torque	Nm / ft.lb	650 / 480	755 / 557	702 / 518
Power @ 500 rpm	kW / hp	34.1 / 45.7	39.5 / 53.0	36.8 / 49.3
Power @ 1000 rpm	kW / hp	68.1 / 91.4	79.1 / 106.0	73.5 / 98.6
Output Shaft Rotation		Same As Engine		
Approximate Bare Mass	kg / lb	33.2 / 73.0		
Mounting Kit		MK1163		
Mounting Gasket Kit		GK023		
Seal Kit		SK072		
Bearing Kit		BK072A		

Note: For full details refer to the owners manual or the eGuide configurator found at www.hydreco.com/markets/transport

DISTRIBUTOR:

Doc: PA38—03/17

www.hydreco.com

POWAUTO

DAVID BROWN
HYDRAULICS

HYDRECO

HYDRECO
POWAUTO
 HYDRAULIC SOLUTIONS PROVIDER