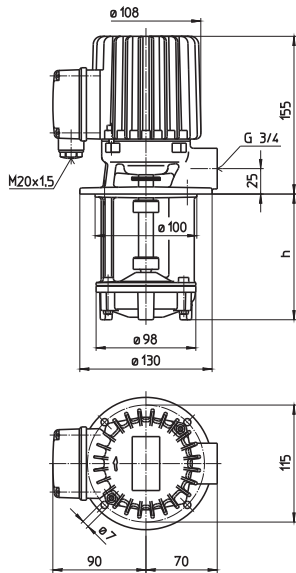


# Free Flow-Immersion Pumps

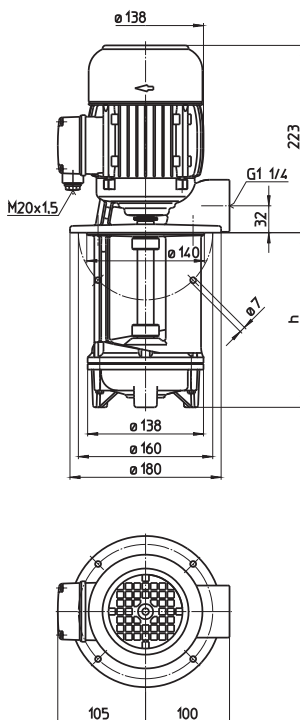
## FT35...FTA140

### Semi-open impellers

#### FT35



#### FTA140



Type	Vol. del. at manom. del. head l/min /m	Height H mm	Depth of immersion h mm	Weight kg	Power kW	Voltage 3~ V	Fre- quen- cy Hz	Current A	Speed 1/min
<b>FT35/100</b>	40/2	155	100	5.5	0.21	220-240	50	0.71	2800
<b>130</b>			130	5.8					
<b>180</b>			180	6.0		380-420	50	0.41	2800
<b>230</b>			230	6.5					
<b>280</b>			280	7.0		460	60	0.41	3300
<b>360</b>			360	7.5					
<b>FTA140/130</b>	150/2	223	130	13.5	0.55	220-240	50	2.50	2750
<b>210</b>			210	14.0					
<b>280</b>			280	15.0		380-420	50	1.45	2750
<b>360</b>			360	16.0					
<b>450</b>			450	17.5		460	60	1.45	3250
<b>560</b>			560	19.0					



### Free Flow-Immersion Pumps

series FT/FTA are provided to lift coolant for filtering.

**Middle shreds** can be transported together with liquids.

### Applications

Types of fluid  
coolants  
cooling/cutting oils  
Kinematic viscosity  
...45 mm<sup>2</sup>/s (45 cSt)  
Pumping temperature  
0...60° C

### Construction

Pump body	cast iron
Cover	cast iron
Impeller	brass
Shaft	steel
Optional:	
Cover	POM (FT35)
Impeller	POM
	cast iron
Noise level	
FT35	45 dBA
FTA140	60 dBA

