

Technical Data Sheet



PA556 SERIES POWER TAKE-OFF

Product Features

Light Duty Side Mounted Power Take-Off

The 556 series is a constant mesh PTO designed to suit 6 bolt transmission openings on certain Mitsubishi transmissions.

This PTO has a vacuum shift engagement to suit vehicles without a suitable air supply. It is also equipped with the common 3 bolt UNI output.

Suits:

Mitsubishi MO35S5 series transmissions.
(Refer to the eGuide Configurator on www.hydreco.com for confirmation and details)

- **Output Speed 31% of Engine Speed**
To provide lower pump speeds.
- **UNI Pump Output**
For flexibility in applications
- **Vacuum Shift Engagement**
For PTO engagement on trucks without air.
- **Low Profile**
Providing easier installation on narrower chassis'.

POWAUTO

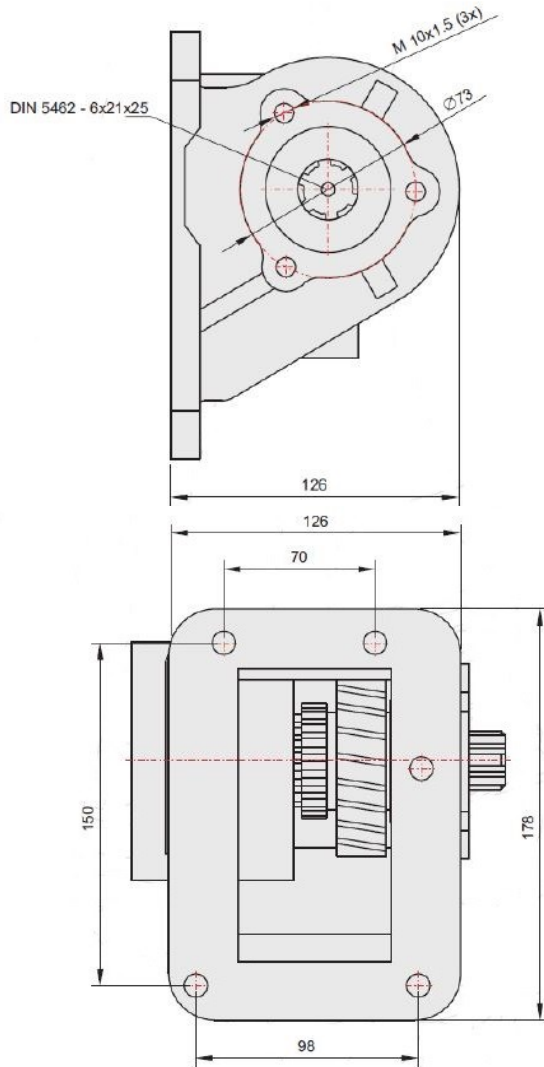
DAVID BROWN
HYDRAULICS

HYDRECO

HYDRECO
POWAUTO
HYDRAULIC SOLUTIONS PROVIDER

www.hydreco.com

Technical Data Sheet



PTO DESIGNATION CODES

556 Series

PA 556 SQ L11 V 41

Identifier

PA = PTO Side Mount

PTO Series

556

Gear Type

SQ

Build

L = Left side of transmission

1 = Selector to top / Bias to bottom

1 = Centre to front

(Position of gear in transmission)

Engagement Type

V = Vacuum

Output Type

41 = 3B UNI Pump Mount

Technical Specifications		
Ratings & Service Parts		
Torque	Nm / ft.lb	237 / 175
Power @ 500 rpm	kW / hp	4.4 / 5.9
Power @ 1000 rpm	kW / hp	8.7 / 11.7
Output Shaft Rotation		Opposite to Engine
Approximate Bare Mass	kg / lb	6.0 / 13.2
Mounting Kit		Included
Bearing Kit		BK095

Note: For full details refer to the owners manual or the eGuide configurator found at www.hydreco.com/markets/transport

DISTRIBUTOR:

Doc: PA556—03/17

POWAUTO

DAVID BROWN
HYDRAULICS

HYDRECO

HYDRECO
POWAUTO
HYDRAULIC SOLUTIONS PROVIDER

www.hydreco.com