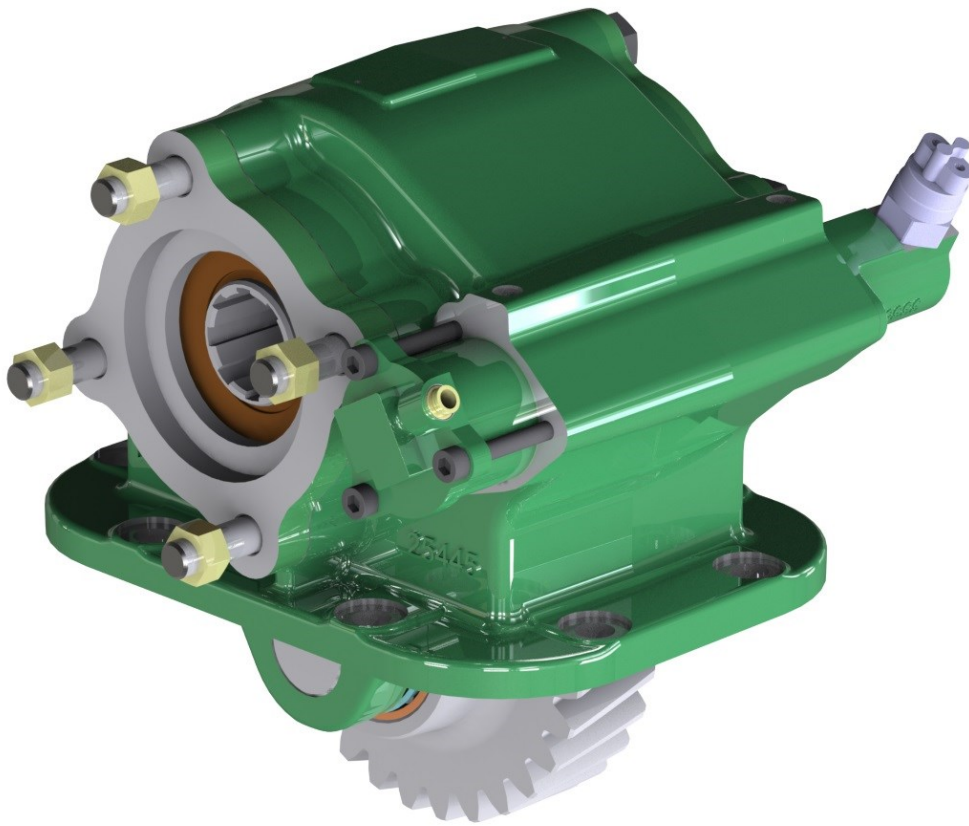


# Technical Data Sheet



## PA861 SERIES POWER TAKE-OFF

## Product Features

### 8 Bolt Double Gear Side Mounted Power Take-Off

The 861 series is a double reduction PTO designed for Mitsubishi/Fuso G230-12 transmissions with an 8 bolt opening.

Continuing Hydreco Powauto's commitment to maximum torque output, this PTO achieves superior strength with minimum size and is economically priced.

#### Suits:

Mitsubishi/Fuso G230-12 transmissions.  
(Refer to the eGuide Configurator on [www.hydreco.com](http://www.hydreco.com) for confirmation and details)

- **Output Speeds 70.8 & 90.1% of Engine Speed (Low and High Range)**  
For maximum torque output for pump operation.
- **Air Shift Operated**  
For ease of engagement.
- **A Range Of Outputs**  
To allow close coupling or remote mounting of pumps.
- **Viton Seals**  
For high temperature conditions.
- **Heavy Duty Roller Bearings**  
For higher torque capacity.

POWAUTO

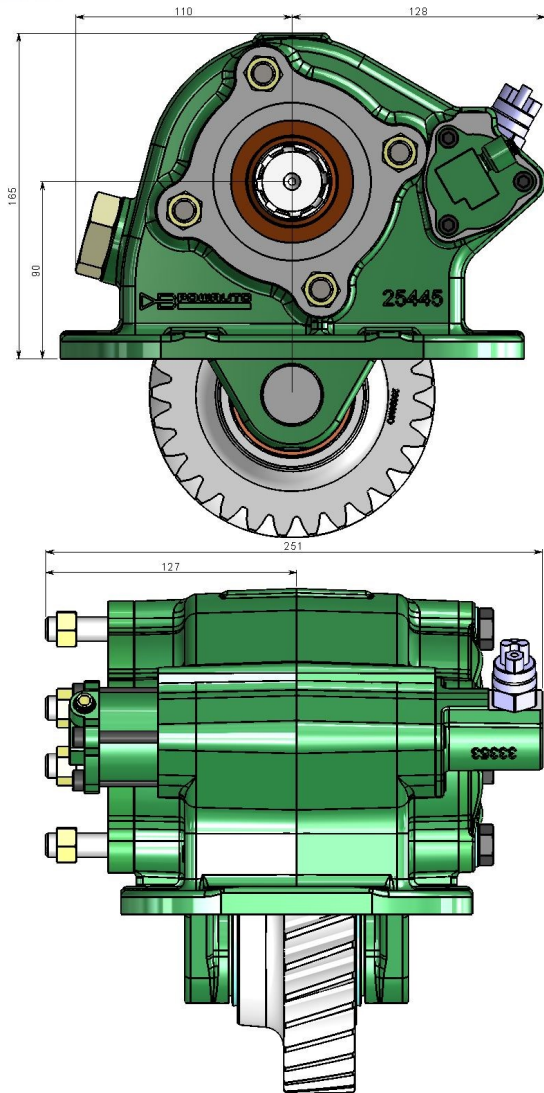
DAVID BROWN  
HYDRAULICS

HYDRECO

**HYDRECO**  
**POWAUTO**  
HYDRAULIC SOLUTIONS PROVIDER

[www.hydreco.com](http://www.hydreco.com)

# Technical Data Sheet



## PTO DESIGNATION CODES

### 861 Series

PA 861 MO L24 A 08 \*

#### Identifier

PA = PTO Side Mount

#### PTO Series

861

#### Gear Type

MO

#### Build

L = Left side of transmission

1 = Selector to top / Bias to bottom

2 = Selector to bottom / Bias to top

4 = Rear to centre

(Position of gear in transmission)

#### Engagement Type

A = Air

#### Output Type

08 = 8T Powauto Hydraulic Spline

10 = 14T 12/24 30° Spline + 1310 Flange

23 = 8T Ø36 DIN 5462 Spline - Female and DIN Mount

Other outputs available on request, subject to MOQ.

#### Manufacturers Code

A = With Pressure Switch

B = With Mounting Kit

C = With Mounting Kit & PTO Control Kit

Technical Specifications		
Ratings & Service Parts		
Torque	Nm / ft.lb	498 / 367
Power @ 500 rpm	kW / hp	26.1 / 35.0
Power @ 1000 rpm	kW / hp	52.1 / 69.9
Output Shaft Rotation		Opposite to Engine
Approximate Bare Mass	kg / lb	22.0 / 48.4
Mounting Kit		MK1203
Mounting Gasket Kit		GK029
Seal Kit		SK114
Bearing Kit		BK114

**Note:** For full details refer to the owners manual or the eGuide configurator found at [www.hydreco.com/markets/transport](http://www.hydreco.com/markets/transport)

**DISTRIBUTOR:**

Doc: PA861—03/17

[www.hydreco.com](http://www.hydreco.com)

POWAUTO

DAVID BROWN  
HYDRAULICS

HYDRECO

**HYDRECO**  
**POWAUTO**  
HYDRAULIC SOLUTIONS PROVIDER