

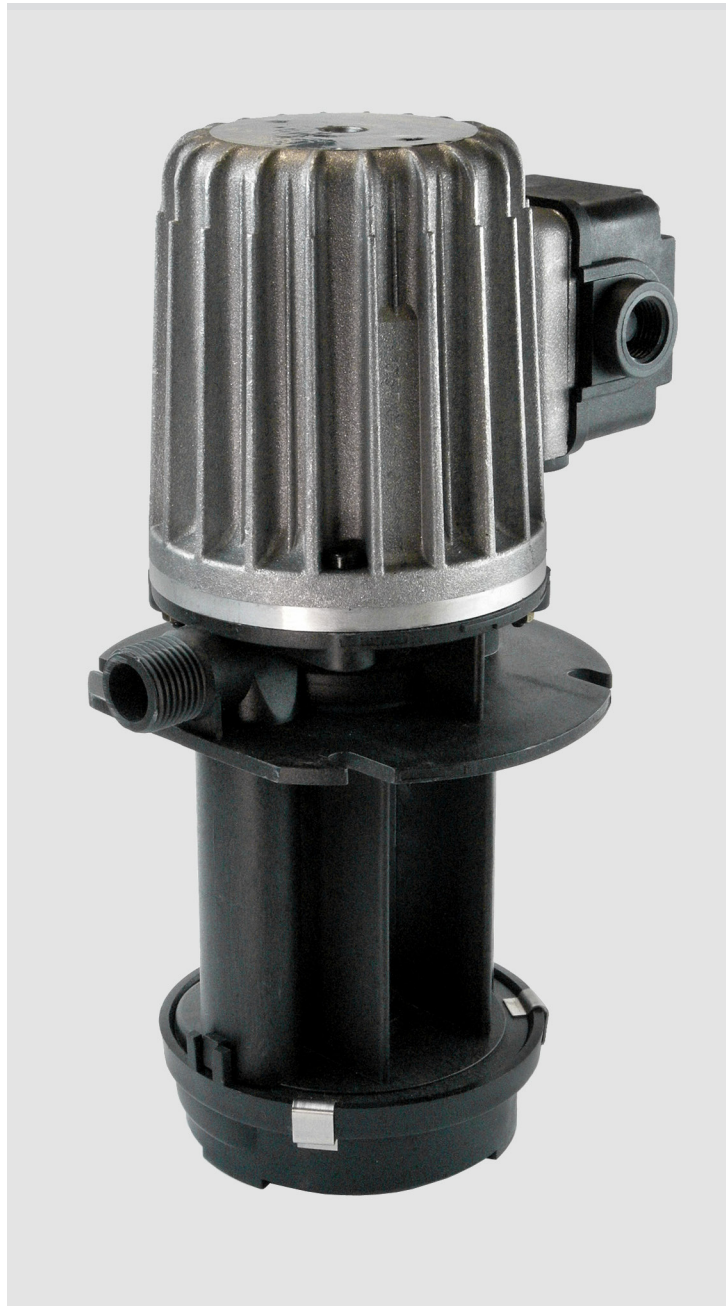
Compact, lightweight centrifugal pump of plastic for clean, turbid or dirty fluids

Technical data

- Delivery rate
 $Q_{\max} = 30 \text{ l/min}$
- Delivery head
 $H_{\max} = 4 \text{ m}$
- Temperature range
 $0 \text{ }^{\circ}\text{C to } +60 \text{ }^{\circ}\text{C}$

Product features

- Centrifugal pump, 1-stage model
- Open impeller
- Port dimensions to DIN EN 12157
- Immersion depths 90 mm, 120 mm
- Weight: 2.5 kg
- Three-phase or single-phase motor



Main applications

- Humidifiers, air conditioning
- Sawing machines
- Stone saws
- Grinding machines
- Cooling systems
- Machine tools
- etc.

Fluids delivered

- Emulsions, also with chemical additives
- Low-viscosity oils
- Various qualities of water
- etc.

Mechanical design

| Component | PR4 type of machine | PR4/A901 type of system |
|-----------------------|--|---|
| Motor housing | aluminum | aluminum |
| Pump support | PPN | PPN |
| Pump bottom | PPN | PPN |
| Impeller | POM/GF | POM/GF |
| Shaft | ETG | Stainless steel, W.-No. 1.4122 |
| Antifriction bearings | Radial deep-groove ball bearing with two side plates (2 Z); with permanent lubrication | Radial deep-groove ball bearing with two side plates (2 Z); with permanent lubrication |
| Splash guard | Splash ring above pump chamber | Splash ring above pump chamber Plus: splash ring underneath flange, V-ring underneath lower ball bearing |

Electrical data

| Rated frequency [Hz] | Rated voltage Δ / Y [V] | Rated current Δ / Y [A] | Rated power [kW] | Rated speed [rpm] |
|----------------------|--------------------------------|--------------------------------|------------------|-------------------|
| 50 | 230 / 400 | 0.33 / 0.19 | 0.05 | 2730 |
| 60 | 230 / 400 | 0.33 / 0.19 | 0.05 | 3300 |

Degree of protection: IP 54 Motor: DU 56.2005
 Insulation class: F.B Noise level: 46 dB(A)
 CE mark

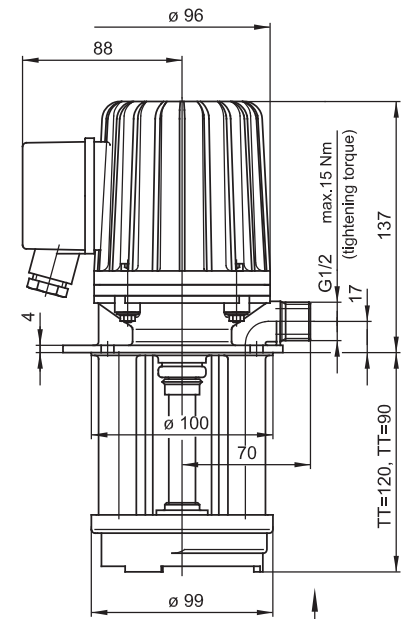
Please note: All equipment may only be installed and/or assembled by qualified personnel. Observe existing safety regulations. To avoid errors please consult our operating instructions.

Design features

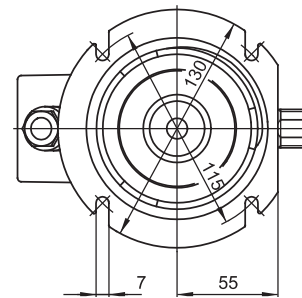
- Vertical Installation
- G ½ male thread
- Direction of rotation: counterclockwise as viewed from above looking down on ventilation side of the motor.

Options

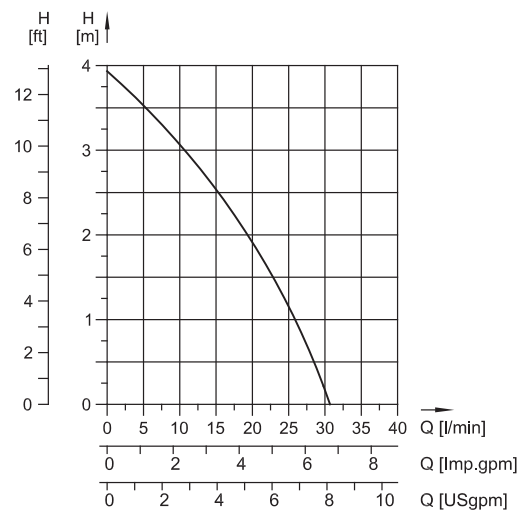
- Thermal circuit breaker in the winding or thermistor
- Equipped with capacitor and mains plug, completely prepared for single-phase AC



View X



Characteristic for 50 and 60 Hz



The data apply to fluids with a viscosity of $\sim 1 \text{ mm}^2/\text{s}$ at a density of $\sim 1 \text{ kg}/\text{dm}^3$

SKF Lubrication Systems Germany GmbH
 Product department Spandau Pumps
 Motzener Strasse 35/37 · 12277 Berlin · Germany
 PF 970444 · 12704 Berlin · Germany
 Tel. +49 (0)30 72002-0 · Fax +49 (0)30 72002-261
 www.spandaupumpen.com

This brochure was presented by: