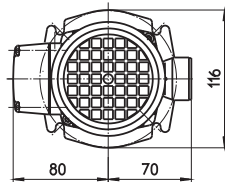
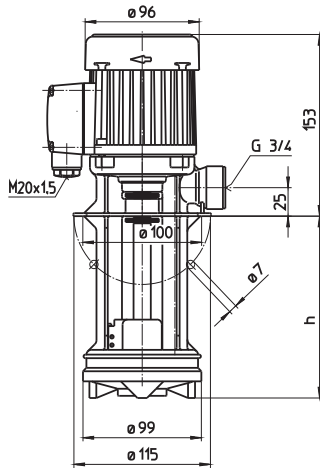


Immersion Pumps in Plastics

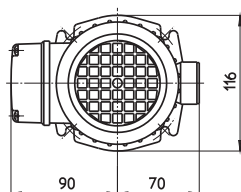
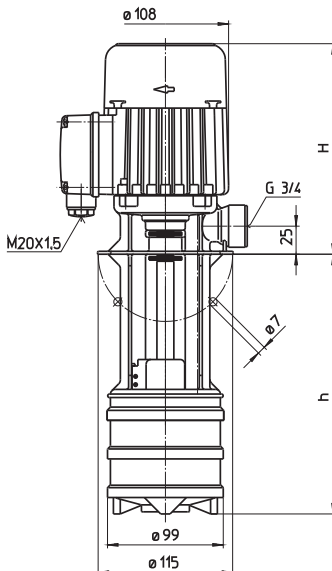
KTF25...54, KTF81...83

Semi-open impellers

KTF25, 40, 51



KTF52, 53, 54 KTF81, 82, 83



Type	Vol. del. at manom. del. head l/min / m	Height H mm	Depth of immersion h mm	Weight kg	Power kW	Voltage 3~ V	Fre- quen- cy Hz	Current A	Speed 1/min
KTF25/120	25/2	153	118	2.6	0.045	220-240	50	0.33	2800
	170		168	2.7					
	220		218	2.9					
	270		268	3.0					
KTF40/120	25/3	153	118	2.6	0.055	220-240	50	0.35	2800
	170		168	2.7					
	220		218	2.9					
	270		268	3.0					
KTF51/120	25/5	153	118	2.7	0.075	220-240	50	0.38	2700
	170		168	2.8					
	220		218	2.9					
	270		268	3.0					
KTF52/150	25/8	181	151	3.0	0.14	220-240	50	0.71	2700
	200		201	3.2					
	250		251	3.3					
	300		301	3.5					
KTF53/190	25/12	181	184	4.0	0.22	220-240	50	0.95	2700
	240		234	4.2					
	290		284	4.4					
	340		334	4.6					
KTF54/220	25/17	214	217	5.0	0.28	220-240	50	1.4	2700
	270		267	5.3					
	320		317	5.5					
KTF81/120	30/6	181	118	2.9	0.14	220-240	50	0.71	2700
	170		168	3.1					
	220		218	3.3					
	270		268	3.5					
KTF82/150	30/11	181	151	3.6	0.22	220-240	50	0.95	2700
	200		201	3.8					
	250		251	4.0					
	300		301	4.2					
KTF83/190	30/15	214	184	4.8	0.28	220-240	50	1.4	2700
	240		234	5.0					
	290		284	5.2					
	340		334	5.4					

Immersion Pumps in Plastics

series KTF are suitable for various **water supply problems**.

These pumps are also suitable for a wide range of **chemical liquids**.

No shaft seal is required, due to the construction.

Applications

Types of fluid

Industry water; warm, cold, with and without chemical admixtures, distilled, de-ionnized

Kinematic viscosity

...12 mm²/s (12 cSt)

Pumping temperature

-10...+60° C

Construction

Pump body	PPS
Cover	PP
Impellers	PPS
Shaft	1.4104

Optional: Shaft	CrMo
--------------------	------

Optional:
These models are also available with **single phase motor**.

Noise level	
KTF25...KTF51	47 dBA
KTF52...KTF83	48 dBA

