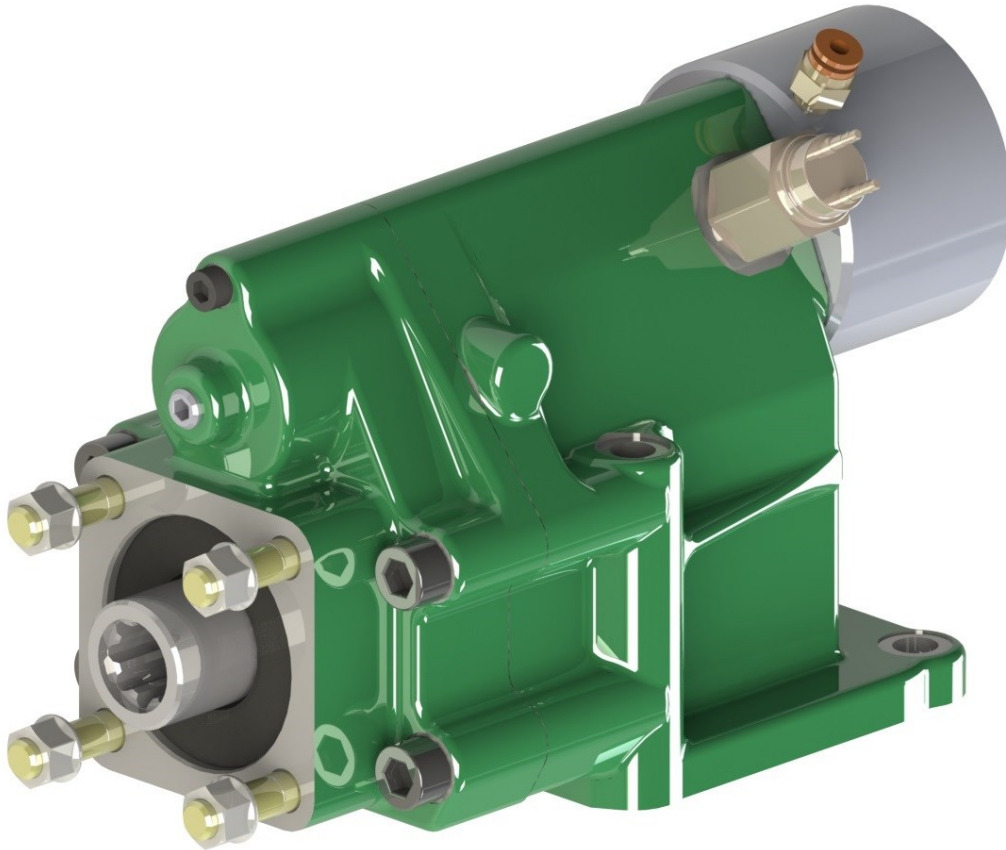


Technical Data Sheet



PA368 SERIES POWER TAKE-OFF

Product Features

6 Bolt Single Gear Side Mounted Power Take-Off

The 368 series is designed for certain Mitsubishi transmissions with 6 bolt openings, it has an optimised output ratio for most applications.

It is a single gear constant mesh design that will enable simple fitment onto the reverse idler gear PTO opening.

Suits:

Mitsubishi Fuso M036S5, M036S6, M038S5 and M038S6 transmissions.

(Refer to the eGuide Configurator on www.hydreco.com for confirmation and details)

- **Output Speeds 76 and 79% of Engine Speed (Transmission Dependant)**
To optimise outputs to suit applications.
- **Operation By Air or Vacuum**
So it can be operated on trucks without available air.

POWAUTO

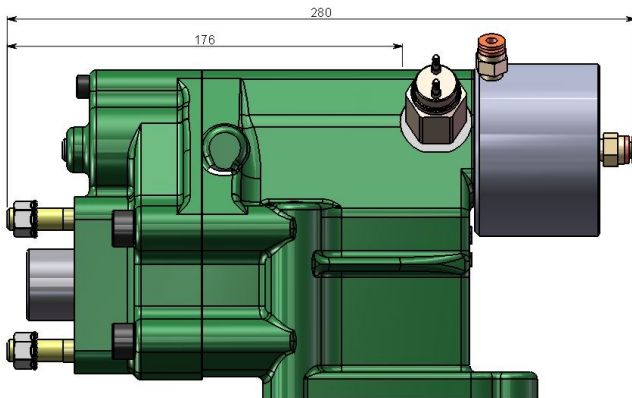
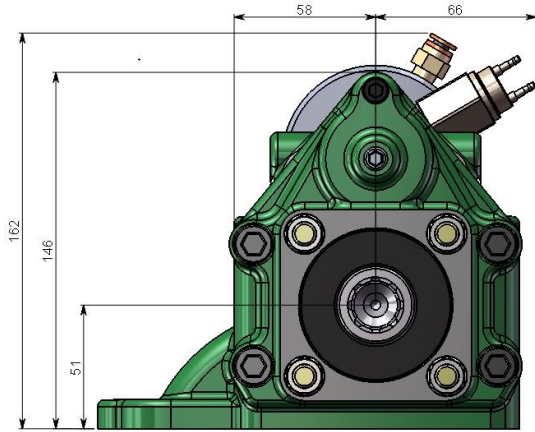
DAVID BROWN
HYDRAULICS

HYDRECO

HYDRECO
POWAUTO
HYDRAULIC SOLUTIONS PROVIDER

www.hydreco.com

Technical Data Sheet



PTO DESIGNATION CODES

368 Series

PA 368 SV L12 V 08 *

Identifier

PA = PTO Side Mount

PTO Series

368

Gear Type

SQ, SV

Build

L = Left side of transmission

1 = Selector to top / Bias to bottom

2 = Centre to rear

(Position of gear in transmission)

Engagement Type

A = Air

V = Vacuum

Output Type

08 = 8T Powauto Hydraulic Spline

Other outputs available on request, subject to MOQ.

Manufacturers Code

A = With Pressure Switch

Technical Specifications			
Ratings & Service Parts		SQ	SV
Torque	Nm / ft.lb	173 / 127	237 / 174
Power @ 500 rpm	kW / hp	9 / 12	12.3 / 16.4
Power @ 1000 rpm	kW / hp	18 / 24	24.7 / 32.9
Output Shaft Rotation		Opposite To Engine	
Approximate Bare Mass	kg / lb	11.5 / 25.3	
Mounting Kit		MK1193	
Mounting Gasket Kit		GK030	
Seal Kit		SK089	
Bearing Kit		BK089	

Note: For full details refer to the owners manual or the eGuide configurator found at www.hydreco.com/markets/transport

DISTRIBUTOR:

POWAUTO

DAVID BROWN
HYDRAULICS

HYDRECO

HYDRECO
POWAUTO
HYDRAULIC SOLUTIONS PROVIDER

Doc: PA368—03/17

www.hydreco.com