

Technical Data Sheet



DBPU DC POWER UNITS

DC Power Units are ideal for applications where hydraulic power is not readily available but DC power is.

The DC power units are commonly used in such markets as mobile, recreational vehicles, marine and various lifting applications. For example, on horse floats to raise/lower the ramp or on smaller tipper or crane trucks where PTO's are not able to be fitted.

The Power Packs are S3 duty and are made for intermittent use only (10% of 10 mins).

Product Features

- **Adjustable Relief Valve**
1 for the Single Acting Unit
2 for the Double Acting Unit
(1x main & 1x low press on Port 'A')
- **Built-in Check Valve**
- **12 or 24 Volt IP54 Motor**
- **Choice of 5, 7, 10, 16 & 20 Litre Tank**
- **Filler Breather**
- **Single Acting Units also have an adjustable lowering speed.**

POWAUTO

DAVID BROWN
HYDRAULICS

HYDRECO

HYDRECO
POWAUTO
HYDRAULIC SOLUTIONS PROVIDER

www.hydreco.com

Technical Data Sheet

DBPU 1W E 2.1 B 2 R

Motor

1W = 12V 1.5kW
2A = 24V 2.0kW

Relief Pressure

E = 160 Bar (Adjustable)

Pump Size

2.1 = 2.1cc/rev

Pendant

R = Remote Control

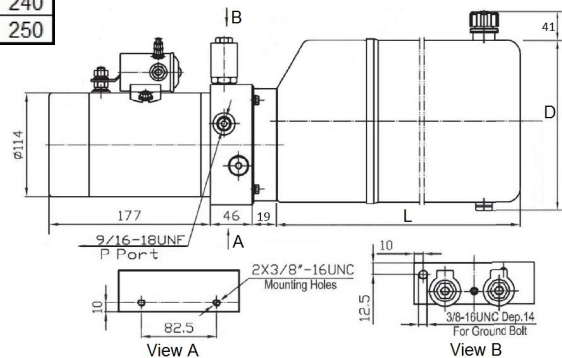
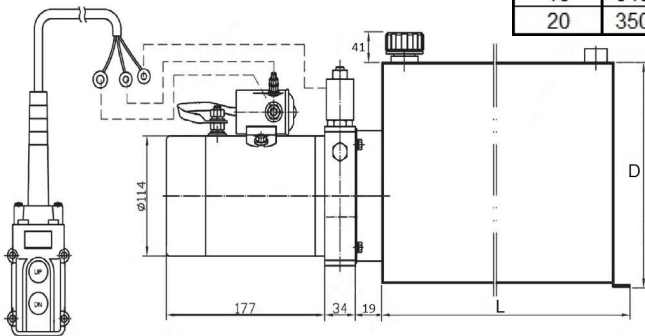
Circuit Type

2 = Single Acting
61 = Double Acting

Tank Capacity

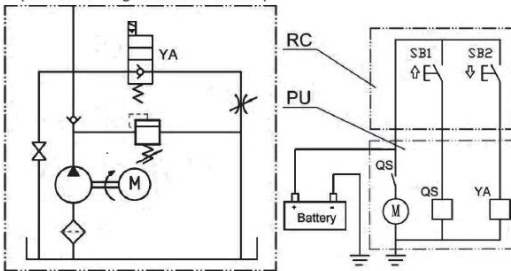
A = 3L E = 12L
B = 5L G = 16L
C = 7L H = 20L
D = 10L

Volume	L	D	W
3	170	160	
5	225	169	
7	348	176	
10	300	170	200
12	300	200	200
16	340	220	240
20	350	250	250



Single Acting

P (SAE #6 O-ring Port 9/16-18UNF)

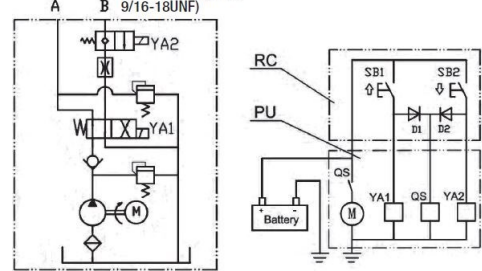


Hydraulic Schematic

Electrical Schematic

Double Acting

(SAE #6 O-ring Port 9/16-18UNF)



Hydraulic Schematic

Electrical Schematic

Spare Parts		Spare Parts		Spare Parts	
12V 1.5kW Motor	DBPU-MOTOR-12-1	24V 2.0kW Motor	DBPU-MOTOR-24-2	Breather	DBPU-BREATHER
12V Coil & 2/2 Valve	DBPU-2X2VALVE-12	24V Coil & 2/2 Valve	DBPU-2X2VALVE-24	Remote Control S/A	DBPU-SA-RC
12V Coil & 4/2 Valve	DBPU-4X2VALVE-12	24V Coil & 4/2 Valve	DBPU-4X2VALVE-24	Remote Control D/A	DBPU-DA-RC
12V Coil for 2/2 Valve	DBPU-2X2-COIL-12	24V Coil for 2/2 Valve	DBPU-2X2-COIL-24	Seal Kit, S/A	DBPU-SK-TMS/A
12V Coil for 4/2 Valve	DBPU-4X2-COIL-12	24V Coil for 4/2 Valve	DBPU-4X2-COIL-24	Seal Kit, D/A	DBPU-SK-TMD/A
12V Relay	DBPU-RELAY-12	24V Relay	DBPU-RELAY-24		

The Power Unit is to be mounted horizontally.
Oil viscosity should be 32 to 68 cSt @ 40°C.
Change oil after 100 hours of use, then every 3000 hours.

DEALER:

Doc: DBPU—04/17

POWAUTO

DAVID BROWN
HYDRAULICS

HYDRECO

HYDRECO
POWAUTO
HYDRAULIC SOLUTIONS PROVIDER

www.hydreco.com