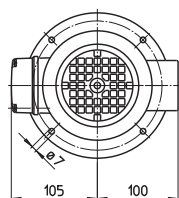
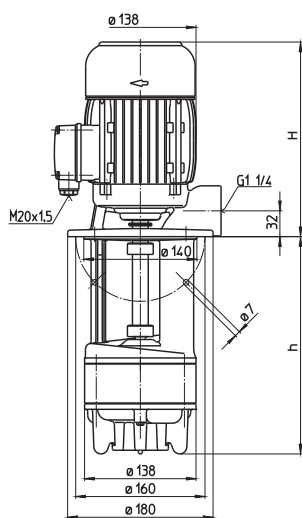


Quick Suctioning Immersion Pumps

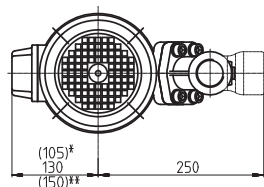
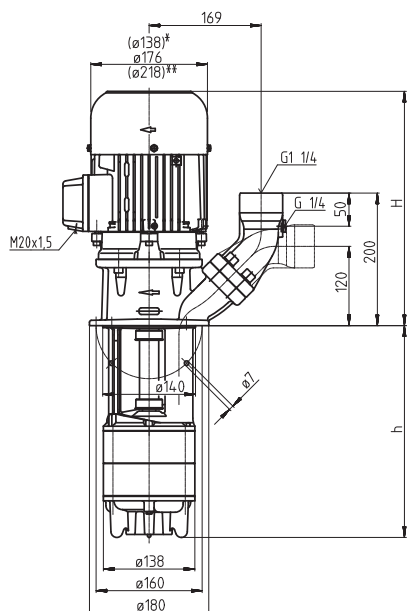
TAL/SAL301...306

Axial/semi-open impellers

TAL302



SAL301...306



*) Dimensions for SAL301, 302

**) Dimensions for SAL306

| Type | Vol. del. at manom. del. head l/min / m | Height H mm | Depth of immersion h mm | Weight kg | Power kW | Voltage 3~ V | Fre- quen- cy Hz | Current A | Speed 1/min | | | | | |
|------------|--|----------------|----------------------------|--------------|-------------|--------------------|---------------------------|--------------|----------------|------|---------|----|------|------|
| TAL302/190 | 160/12 | 291 | 190 | 20.5 | 1.1 | 220-240 | 50 | 4.33 | 2850 | | | | | |
| 270 | | | 270 | 21.0 | | | | | | | | | | |
| 340 | | | 340 | 21.5 | 1.27 | 460 | 60 | 2.4 | 3440 | | | | | |
| 420 | | | 420 | 22.5 | | | | | | | | | | |
| 510 | | | 510 | 24.0 | | | | | | | | | | |
| 620 | | | 620 | 25.5 | | | | | | | | | | |
| SAL301/140 | 160/7 | 293 | 140 | 20 | | | | | | 0.54 | 220-240 | 50 | 2.42 | 2800 |
| 220 | | | 220 | 21 | | | | | | | | | | |
| 290 | | | 290 | 22 | 460 | 60 | 60 | 1.40 | 3300 | | | | | |
| 370 | | | 370 | 23 | | | | | | | | | | |
| 460 | | | 460 | 25 | | | | | | | | | | |
| 570 | | | 570 | 29 | 1.1 | 220-240 | 50 | 4.33 | 2850 | | | | | |
| SAL302/190 | 160/12 | 361 | 190 | 26.5 | | | | | | | | | | |
| 270 | | | 270 | 27.5 | | | | | | | | | | |
| 340 | | | 340 | 28.5 | | | | | | | | | | |
| 420 | | | 420 | 30.0 | | | | | | | | | | |
| 510 | | | 510 | 31.5 | | | | | | | | | | |
| 620 | | | 620 | 33.5 | | | | | | | | | | |
| SAL303/240 | 160/18 | 380 | 240 | 37 | 1.5 | 220-240 | 50 | 5.5 | 2880 | | | | | |
| 320 | | | 320 | 38 | | | | | | | | | | |
| 390 | | | 390 | 39 | 1.75 | 460 | 60 | 3.1 | 3470 | | | | | |
| 470 | | | 470 | 40 | | | | | | | | | | |
| 560 | | | 560 | 41 | | | | | | | | | | |
| 670 | | | 670 | 43 | | | | | | | | | | |
| 870 | | | 870 | 49 | | | | | | | | | | |
| 1020 | | | 1020 | 51 | | | | | | | | | | |
| SAL304/290 | 160/24 | 439 | 290 | 46 | 1.9 | 220-240 | 50 | 6.84 | 2900 | | | | | |
| 370 | | | 370 | 47 | | | | | | | | | | |
| 440 | | | 440 | 48 | 2.18 | 460 | 60 | 3.9 | 3500 | | | | | |
| 520 | | | 520 | 50 | | | | | | | | | | |
| 610 | | | 610 | 51 | | | | | | | | | | |
| 720 | | | 720 | 53 | | | | | | | | | | |
| 920 | | | 920 | 59 | | | | | | | | | | |
| 1070 | | | 1070 | 61 | | | | | | | | | | |
| SAL305/340 | 160/29 | 439 | 340 | 51 | | | | | | 2.6 | 220-240 | 50 | 9.30 | 2880 |
| 420 | | | 420 | 52 | | | | | | | | | | |
| 490 | | | 490 | 53 | 2.94 | 460 | 60 | 5.1 | 3480 | | | | | |
| 570 | | | 570 | 54 | | | | | | | | | | |
| 660 | | | 660 | 55 | | | | | | | | | | |
| 770 | | | 770 | 57 | | | | | | | | | | |
| 970 | | | 970 | 64 | | | | | | | | | | |
| 1120 | | | 1120 | 66 | | | | | | | | | | |
| SAL306/390 | 160/37 | 478 | 390 | 64 | 3.3 | 220-240 | 50 | 11.6 | 2930 | | | | | |
| 470 | | | 470 | 65 | | | | | | | | | | |
| 540 | | | 540 | 66 | 3.8 | 460 | 60 | 6.4 | 3520 | | | | | |
| 620 | | | 620 | 67 | | | | | | | | | | |
| 710 | | | 710 | 68 | | | | | | | | | | |
| 820 | | | 820 | 70 | | | | | | | | | | |
| 1020 | | | 1020 | 77 | | | | | | | | | | |

Quick Suctioning Immersion Pumps

equipped with the patented "BRINKMANN's Suction De-aeration System" are excellently suited to pumping **extremely air entrained fluids** (emulsions resp. cooling/cutting oils) as they occur in heavy cutting when turning, milling or grinding.

The quick suctioning immersion pumps reach stable working conditions as soon as the liquid level reaches the suction inlet.

The SAL serie offers a (SAE) flange with pressure gauge connection port.

The flange can be rotated for either horizontal or vertical pipe connections.

Applications

Types of fluid
coolants
cooling/cutting oils
Kinematic viscosity
...45 mm²/s (45 cSt)
Pumping temperature
0...80° C

Construction

| | |
|------------------------------|------------|
| Pump body | cast iron |
| Cover | cast iron |
| Impeller axial | cast steel |
| Impeller radial | brass |
| Shaft | steel |
| Optional: Impeller radial | cast steel |

