

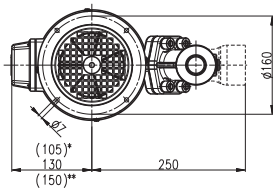
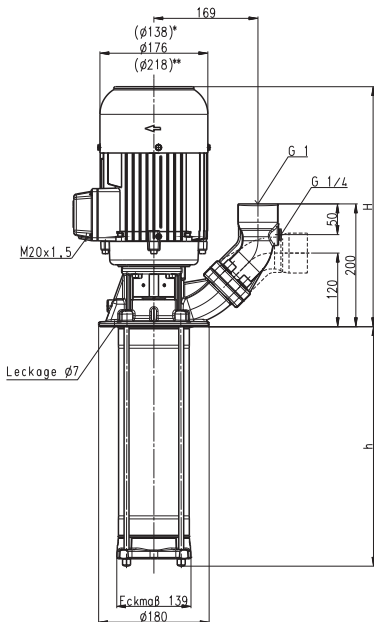
Immersion Pumps

(S)TH6

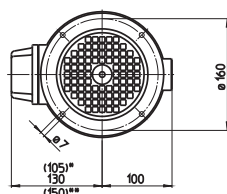
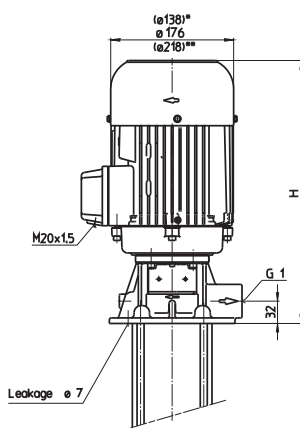
Closed impellers



STH603...624



TH603...624



*) Dimensions for (S)TH603...(S)TH605
 **) Dimensions for (S)TH612...(S)TH624

Type	Vol. del. at manom. del. head l/min /m	Height H mm	Depth of immersion h mm	Weight kg	Power kW	Voltage 3~ V	Frequency Hz	Current A	Speed 1/min
(S)TH603B190	80/28	332	190	16.8	0.86	460	60	1.85	3440
(S)TH604B190	80/38	332	190	17.5	1.06	460	60	2.1	3440
(S)TH605B240	80/48	359	240	18.5	1.27	460	60	2.4	3440
(S)TH606B240	80/58	381	240	25	1.75	460	60	3.1	3470
(S)TH607B290	80/68	407	290	29	1.95	460	60	3.5	3480
(S)TH608B290	80/78	439	290	32	2.18	460	60	3.9	3500
(S)TH609B340	80/88	439	340	35	2.55	460	60	4.4	3480
(S)TH610B340	80/98	439	340	36.0	2.94	460	60	5.1	3480
(S)TH611B390	80/108		390	36.6					
(S)TH612B390	80/118	432	390	48	3.45	460	60	6	3520
(S)TH613B490	80/128	432	490	49.9	3.8	460	60	6.4	3520
(S)TH614B490	80/139			50.1					
(S)TH615B490	80/149	432	490	51.8	4.55	460	60	7.9	3520
(S)TH616B490	80/159			52.3					
(S)TH617B590	80/168		590	52.8					
(S)TH618B590	80/178	462	590	56.8	5.75	460	60	9.5	3520
(S)TH619B590	80/188			56.9					
(S)TH620B590	80/198			57.0					
(S)TH621B690	80/206		690	57.2					
(S)TH622B690	80/214			57.3					
(S)TH623B690	80/222	462	690	61.0	6.3	460	60	10.4	3510
(S)TH624B690	80/232			61.2					

Immersion Pumps

series TH and FH use **closed impellers** in order to minimize power consumption and to optimize hydraulic pump efficiencies.

In addition, the TH series offers high pressures at short immersion depths. Inline pumps of the series FH can be used as **boosting pumps** if provided with positive inlet pressure. This inlet pressure can be provided by the central coolant supply or a feed pump. In such a setup, pumps of the series FH can raise the incoming pressure by up to 26 bar.

Extended length is possible. See medium pressure pumps features within the technical information section.

Applications

- Types of fluid
 - Industry water
 - coolants
 - cooling/cutting oils
- Kinematic viscosity
 - 1 mm²/s (1 cSt)
 - higher viscosity upon request
- Pumping temperature
 - 0...80° C

Construction

Pump body	cast iron
Cover	cast iron
Impellers	CrNi-steel
Shaft	CrNi-steel
Diffusers	CrNi-steel
Mechanical seal	SiC
O-rings	Viton
Optional:	
Pump body	bronze
Cover	CrNi-steel
	bronze
	CrNi-steel

Noise level	
(S)TH603...(S)TH605	61 dBA
(S)TH606...(S)TH611	66 dBA
(S)TH612...(S)TH624	75 dBA

