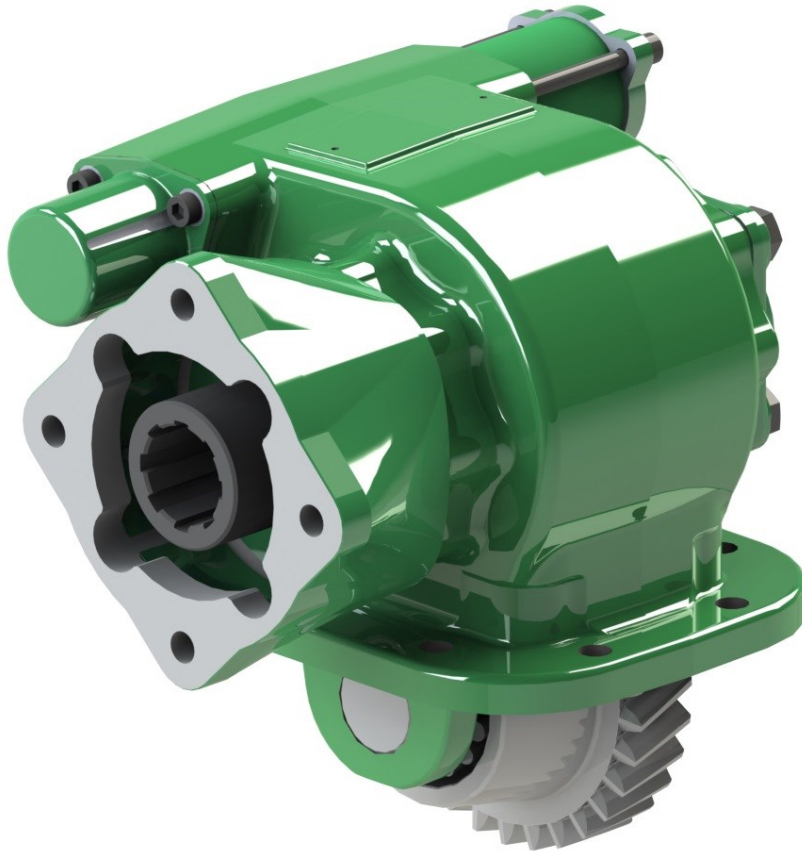


Technical Data Sheet



PA413 SERIES POWER TAKE-OFF

Product Features

Deep Reach High Torque 8 Bolt Side Mounted PTO

The 413 series is designed for the left opening of certain Hino transmissions with an 8 bolt opening. It is a heavy duty deep reach design.

Suits:

Hino LJ 5 & 6 speed transmissions.
(Refer to the eGuide Configurator on www.hydreco.com for confirmation and details)

- **Output Speeds 62.3 to 91.3% of Engine Speed (Transmission Dependant)**
For very high torque at the output.
- **Wide Variety of Outputs**
To suit many vehicle configurations.
- **Constant Mesh Gears**
For longer life.
- **Heavy Duty Tapered Roller Bearings**
For long life and better support for the idler gear.

POWAUTO

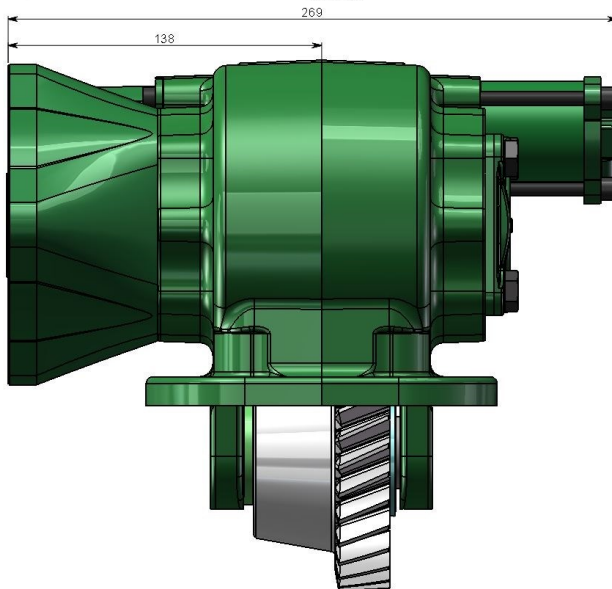
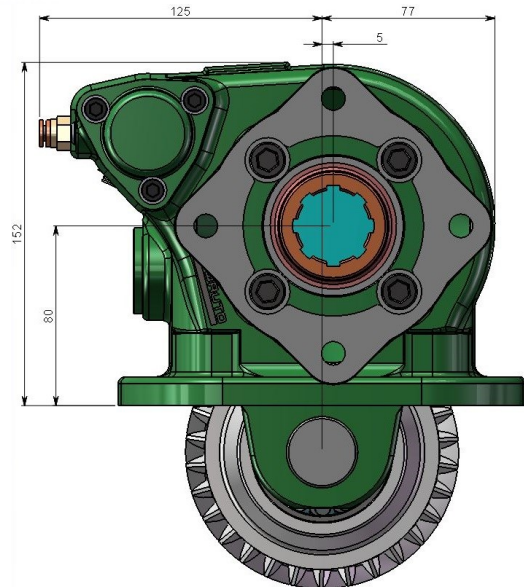
DAVID BROWN
HYDRAULICS

HYDRECO

HYDRECO
POWAUTO
HYDRAULIC SOLUTIONS PROVIDER

www.hydreco.com

Technical Data Sheet



PTO DESIGNATION CODES

413 Series

PA 413 MK L21 K 08 *

Identifier

PA = PTO Side Mount

PTO Series

413

Gear Type

MK, SM

Build

L = Left side of transmission

2 = Selector to bottom / Bias to top

1 = Centre to front

(Position of gear in transmission)

Engagement Type

K = Air (Pull to engage)

Output Type

08 = 8T Powauto Hydraulic Spline

09 = 14T 12/24 30° Spline + 35 x 60 Flange

10 = 14T 12/24 30° Spline + 1310 Flange

11 = 14T 12/24 30° Spline + 1410 Flange

13 = 13T SAE B Hydraulic Spline + SAE B Pump Mount

23 = 8T Ø36 DIN 5462 Spline - Female and DIN Mount

25 = 9T SAE A Hydraulic Spline + SAE A Pump Mount

26 = 14T 12/24 30° Spline + SAE C 2 & 4 Bolt Mount

Other outputs available on request, subject to MOQ.

Manufacturers Code

A = With Pressure Switch

B = With Mounting Kit

C = With Mounting Kit & PTO Control Kit

Technical Specifications			
Ratings & Service Parts		MK	SM
Torque	Nm / ft.lb	396 / 291	431 / 317
Power @ 500 rpm	kW / hp	20.6 / 27.6	22.4 / 30.1
Power @ 1000 rpm	kW / hp	41.2 / 55.2	44.9 / 60.2
Mounting Kit		MK1168	MK1168A
Output Shaft Rotation		Opposite To Engine	
Approximate Bare Mass	kg / lb	15.0 / 33.0	
Mounting Gasket Kit		GK019	
Seal Kit		SK065A	
Bearing Kit		BK065A	

Note: For full details refer to the owners manual or the eGuide configurator found at www.hydreco.com/markets/transport

DISTRIBUTOR:

POWAUTO

DAVID BROWN
HYDRAULICS

HYDRECO

HYDRECO
POWAUTO
HYDRAULIC SOLUTIONS PROVIDER

Doc: PA413—03/17

www.hydreco.com