

Technical Data Sheet



CK144 AIR CONTROL KITS

Product Features

PTO Pneumatic Control

This manual switch control, CK144, is designed to operate an air shift PTO via a dash mounted pneumatic rocker valve.

This is a practical design for today's cabs for the operator on a limited budget.

With integrated lighting (to connect to the vehicle lighting circuit) and warning light for when activated. This stylish valve will integrate into most modern truck cabins and with no damage to the dashboard.

- **Pre Packaged System Kit**
Provides ease of installation.
- **Compact Design**
No Unsightly "bolt ons" in a new cab.
- **Integrated Safety Guard**
To limit the chance of accidental activation.
- **LED Illumination**
Easy to see under all conditions. Suitable for either 12 or 24V.

POWAUTO

DAVID BROWN
HYDRAULICS

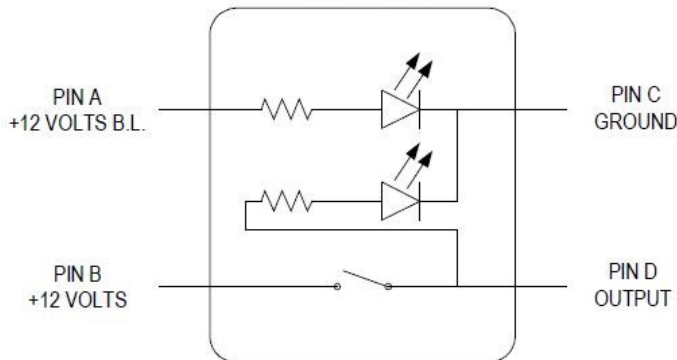
HYDRECO

HYDRECO
POWAUTO
HYDRAULIC SOLUTIONS PROVIDER

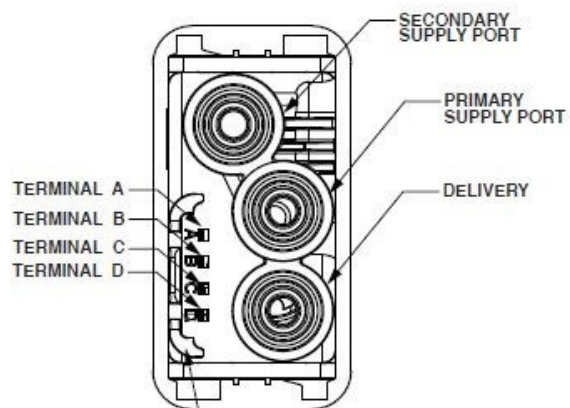
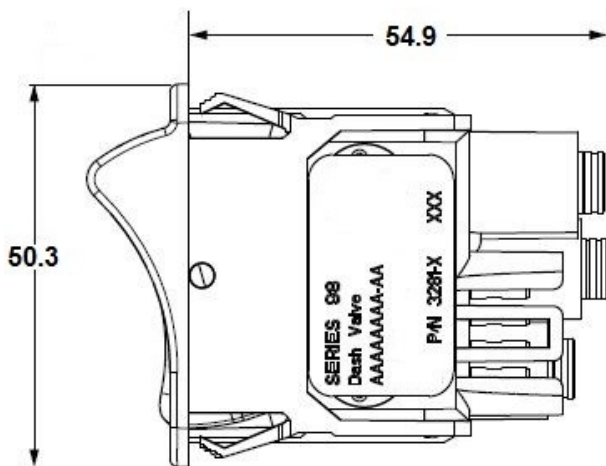
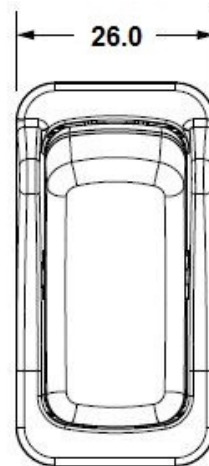
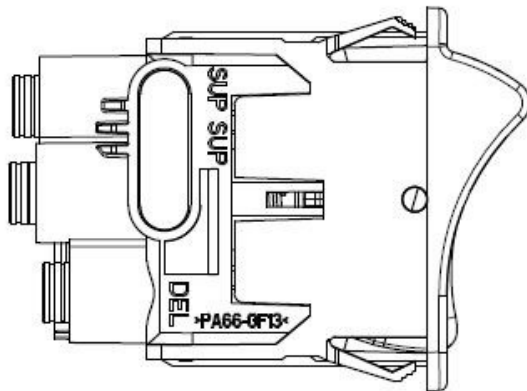
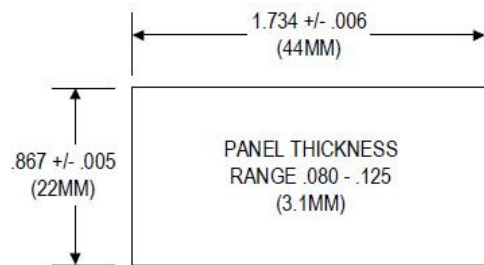
www.hydreco.com

Technical Data Sheet

SCHEMATIC



PANEL OPENING



INTEGRATED CONNECTOR MATES WITH METRI-PACK 150 SERIES CONNECTOR

CK144 comes complete with air hose and electrical cable with connector.

DISTRIBUTOR:

Doc: CK144—03/17

POWAUTO

DAVID BROWN
HYDRAULICS

HYDRECO

HYDRECO
POWAUTO
HYDRAULIC SOLUTIONS PROVIDER

www.hydreco.com