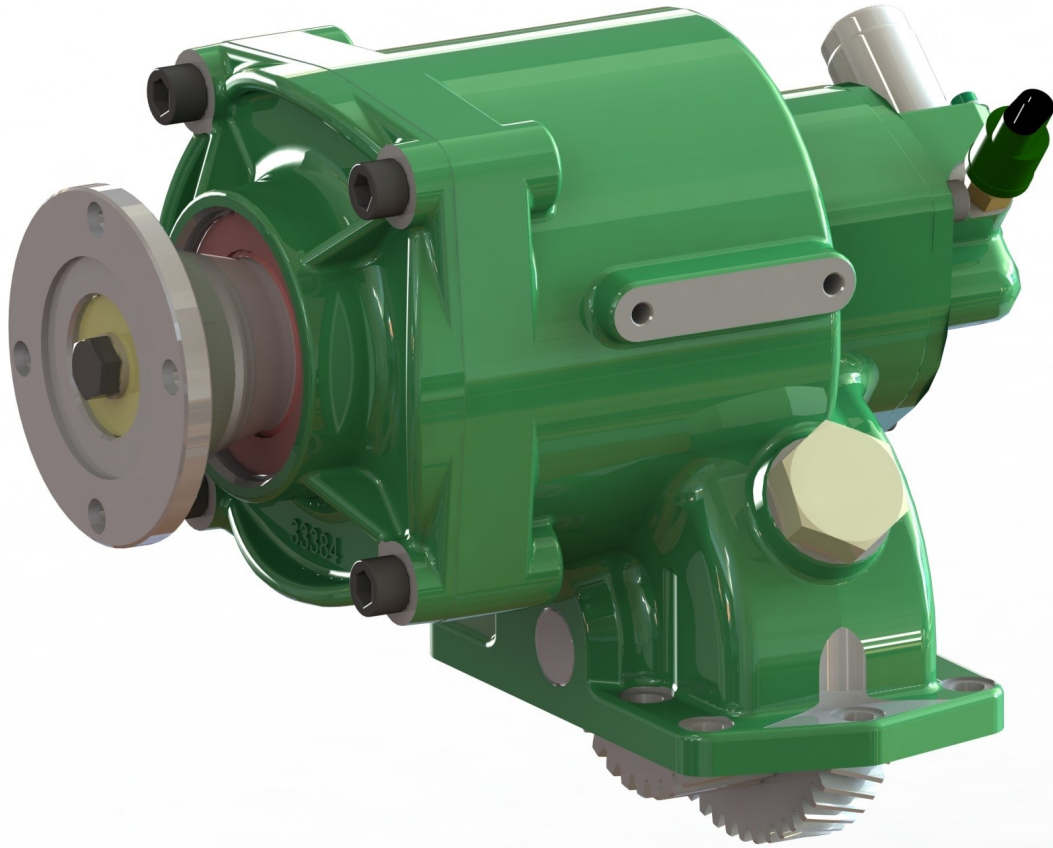


Technical Data Sheet



PA40 SERIES POWER TAKE-OFF

Product Features

Low Ratio Extra Heavy Duty Side Mounted Hotshift Power Take-Off

The 40 series is a constant mesh hotshift PTO designed to suit the 10 bolt transmission openings on the MD and HD series Allison automatic transmissions.

This PTO has a high torque rating which is well suited to heavy duty applications.

Suits:

Allison MD 3050P, 3060P, 3070PT, 3550P, 3560P, HD 4060P, 4560P transmissions.
(Refer to the eGuide Configurator on www.hydreco.com for confirmation and details)

- **Output Speeds 80 to 164% of Engine Speed (Transmission Dependant)**
Giving good output values for all applications.
- **Internal Clutch System**
Ensuring no gear clash when engaging. Ability to engage while moving
- **Viton Seals & O-Rings**
Ensuring compatibility with high temperature conditions.
- **One Gasket Fitment**
Simple to install, resulting in lower installation costs.
- **Low Profile**
Providing easier installation on narrow chassis.
- **Balanced Lifting**
Easy and effortless installation.

POWAUTO

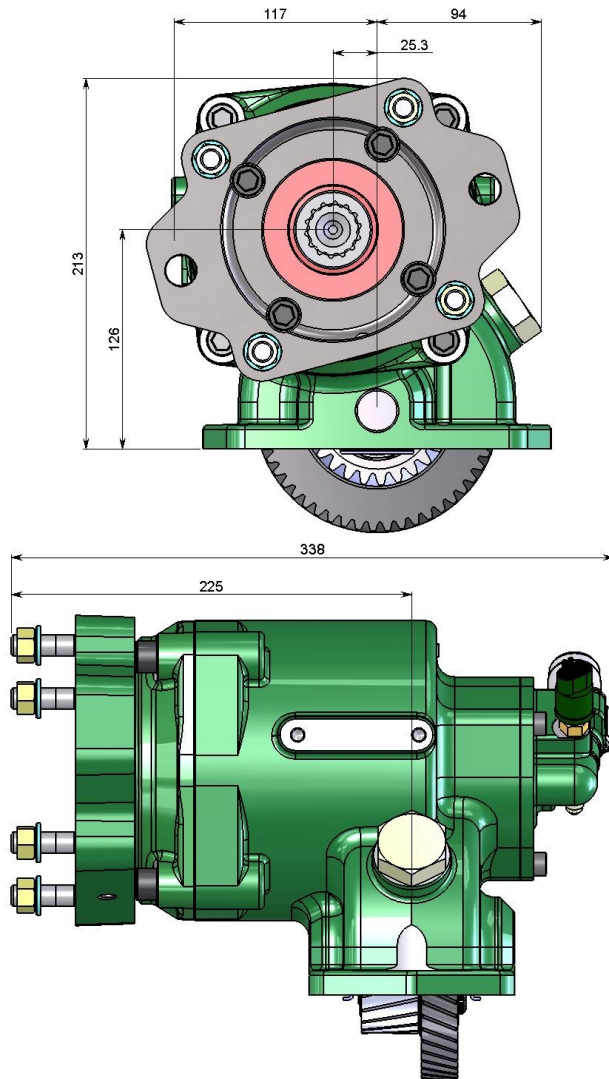
DAVID BROWN
HYDRAULICS

HYDRECO

HYDRECO
POWAUTO
HYDRAULIC SOLUTIONS PROVIDER

www.hydreco.com

Technical Data Sheet



PTO DESIGNATION CODES

40 Series

PA 40-3 JB L11 F 33 C *

Identifier

PA = PTO Side Mount

PTO Series

40

Ratio (3000/3500/4000)

- 1 = 81%/98%/115%
- 2 = 97%/118%/138%
- 3 = 115%/141%/164%

Gear Type

JB

Build

- L = Left side of transmission
- R = Right side of transmission
 - 1 = Selector to top / Bias to bottom
 - 2 = Selector to bottom / Bias to top
 - 1 = Centre to front
(Position of gear in transmission)

Engagement Type

- F = Electric / Hydraulic 12V
- G = Electric / Hydraulic 24V
- J = Hydraulic (for remote solenoid)

Output Type

- 23 = 8T Ø36 DIN 5462 Spline - Female and DIN Mount
 - 26 = 14T 12/24 30° Spline + SAE C 2 & 4 Bolt Mount
 - 33 = 17T 12/24 30° Spline + 1410 Flange
 - 40 = DIN 100 Flange
- Other outputs available on request, subject to MOQ.

Manufacturers Code

C = With Mounting Kit & PTO Control Kit

Remote Solenoid

- 12V
- 24V

Technical Specifications		PA40-1	PA40-2	PA40-3
Ratings & Service Parts				
Ratio for Allison 3000		80.62%	96.67%	115.32%
Ratio for Allison 3500		98.40%	117.99%	140.75%
Ratio for Allison 4000		115.00%	137.89%	164.49%
Torque	Nm / ft.lb	755 / 557	702 / 518	650 / 480
Power @ 500 rpm	kW / hp	39.5 / 53.0	36.8 / 49.3	34.1 / 45.7
Power @ 1000 rpm	kW / hp	79.1 / 106.0	73.5 / 98.6	68.1 / 91.4
Output Shaft Rotation		Same As Engine		
Approximate Bare Mass	kg / lb	33.2 / 73.0		
Mounting Kit		MK1163		
Mounting Gasket Kit		GK023		
Seal Kit		SK107		
Bearing Kit		BK107		

Note: For full details refer to the owners manual or the eGuide configurator found at www.hydreco.com/markets/transport

DISTRIBUTOR:

Doc: PA40—03/17

www.hydreco.com

POWAUTO

DAVID BROWN
HYDRAULICS

HYDRECO

HYDRECO
POWAUTO
HYDRAULIC SOLUTIONS PROVIDER