

# Technical Data Sheet



## PA850/851/852 SERIES POWER TAKE-OFF

### SAE 8 Bolt Heavy Duty Side Mounted PTO

The 850/851/852 series is designed for transmissions with a SAE 8 bolt opening.

This PTO maintains Powauto's commitment to achieving the highest possible torque densities, achieving 460Nm torque within a standard PTO.

Gears are hobbled and shaved for closer tolerances and quieter operation.

#### Suits:

Many Eaton, Fuller, Mack etc transmissions.  
(Refer to the eGuide Configurator on [www.hydreco.com](http://www.hydreco.com) for confirmation and details)

## Product Features

- **Access Hole For Checking Backlash**  
For ease of installation.
- **Hobbed & Shaved Gears**  
For Quieter operation.
- **Viton Seals and O-Rings**  
For greater durability at high operating temperatures and with synthetic oils.
- **Double O-Ring Seals**  
Greater leak protection.
- **Heavy Duty Bearings**  
For high capacity output.
- **Large Range of Outputs Available**  
To suit more applications.

POWAUTO

DAVID BROWN  
HYDRAULICS

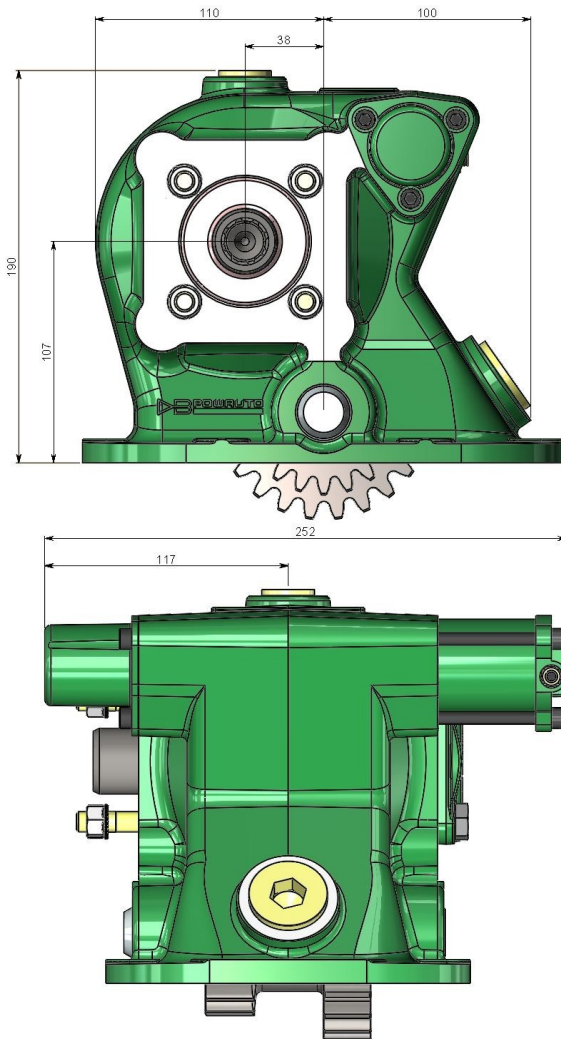
HYDRECO®

HYDRECO  
POWAUTO

ADVANCED HYDRAULIC TECHNOLOGIES

[www.hydreco.com](http://www.hydreco.com)

# Technical Data Sheet



## PTO DESIGNATION CODES

850 / 851 / 852 Series

PA 850 B L11 A 08 \*

### Identifier

PA = PTO Side Mount

### PTO Series

850, 851, 852

### Gear Type

B, N, X

### Build

L = Left side of transmission

1 = Selector to top / Bias to bottom

2 = Selector to bottom / Bias to top

1 = Centre to front

2 = Centre to rear

(Position of gear in transmission)

### Engagement Type

A = Air

### Output Type

08 = 8T Powauto Hydraulic Spline

09 = 14T 12/24 30° Spline + 35 x 60 Flange

10 = 14T 12/24 30° Spline + 1310 Flange

11 = 14T 12/24 30° Spline + 1410 Flange

13 = 13T SAE B Hydraulic Spline + SAE B Pump Mount

23 = 8T Ø36 DIN 5462 Spline - Female and DIN Mount

25 = 9T SAE A Hydraulic Spline + SAE A Pump Mount

26 = 14T 12/24 30° Spline + SAE C 2 & 4 Bolt Mount

29 = Dual Output Combination 08/08

Other outputs available on request, subject to MOQ.

### Manufacturers Code

A = With Pressure Switch

B = With Mounting Kit

C = With Mounting Kit & PTO Control Kit

Technical Specifications		850	851	852
<b>Ratings &amp; Service Parts</b>				
Torque	Nm / ft.lb	460 / 340	420 / 309	350 / 258
Power @ 500 rpm	kW / hp	24.1 / 32.4	22.0 / 29.5	18.3 / 24.6
Power @ 1000 rpm	kW / hp	48.3 / 64.9	44.0 / 59.0	36.7 / 49.1
Output Shaft Rotation		Opposite to Engine		
Approximate Bare Mass	kg / lb	17.0 / 37.4		
Mounting Kit		MK081, MK082, MK084 *		
Mounting Gasket Kit		GK002		
Seal Kit - Hydraulic Output		SK036B, SK036D - Dual output		
Seal Kit - Mechanical Output		SK036A, SK036C - Heavy Duty		
Bearing Kit - Hydraulic Output		BK036B, BK036D - Dual output		BK036F
Bearing Kit - Mechanical Output		BK036A, BK036E - Heavy Duty		BK036C

\* Mounting kit varies with transmission - refer to eGuide Configurator.

**Note:** For full details refer to the owners manual or the eGuide configurator found at [www.hydreco.com/markets/transport](http://www.hydreco.com/markets/transport)

Doc: PA850 851 852—11/17

POW AUTO

DAVID BROWN  
HYDRAULICS

HYDRECO®

HYDRECO  
POW AUTO

ADVANCED HYDRAULIC TECHNOLOGIES

[www.hydreco.com](http://www.hydreco.com)